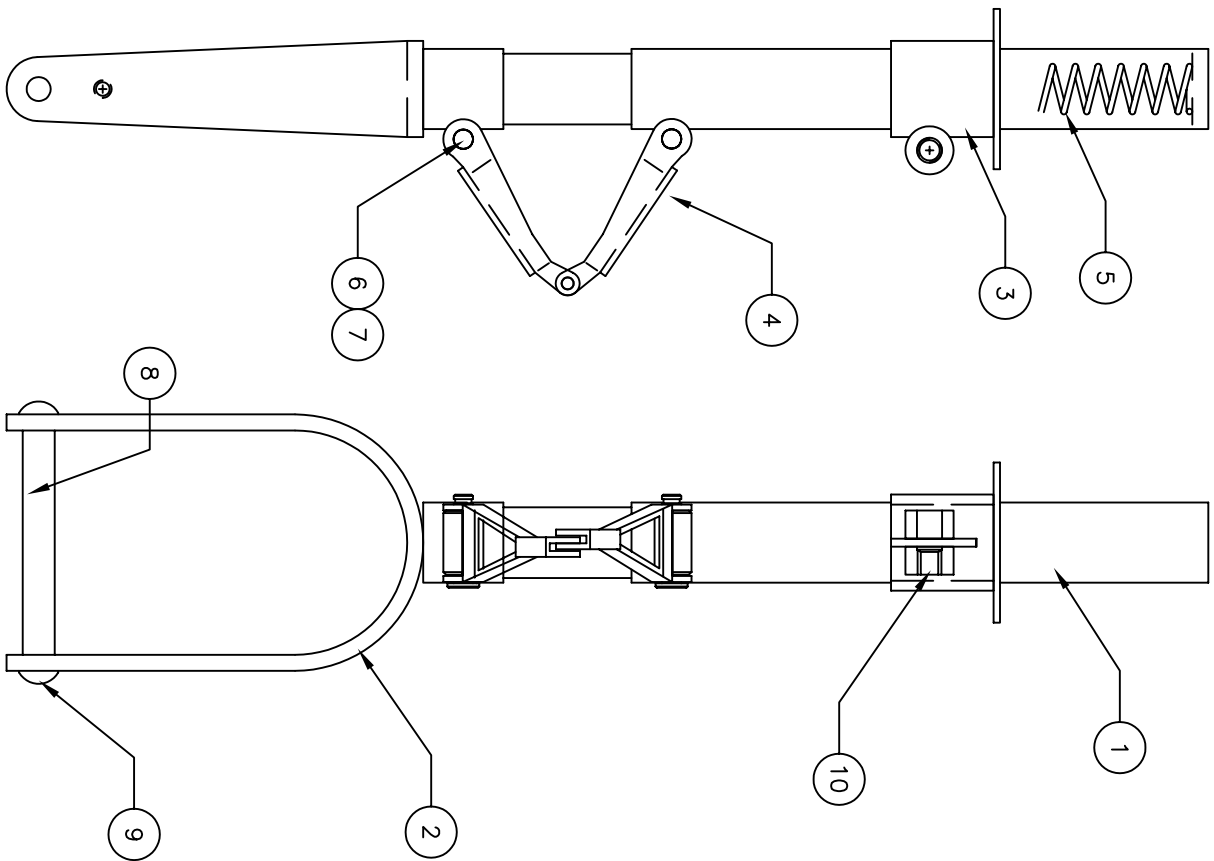


** THIS IS YOUR SPARE PARTS LIST. SAVE FOR FUTURE REFERENCE, ORDER BY PART NUMBER. CURRENT PRICES WILL BE QUOTED.**

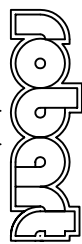


SPARE PARTS LIST

QTY	ITEM	DESCRIPTION	ASS'Y/PART #
1	1	STRUT ASSEMBLY	PT19-104A
1	2	OLEO RAM ASSEMBLY	BGB-104A
1	3	MOUNTING CLAMP ASSEMBLY	PT19-103A
1	4	TORQUE LINK ASSEMBLY	150-107A
1	5	SPRING- 8" LONG	151-019P
2	6	CLEVIS PIN	150-002M
2	7	RETAINING RING	1039F
1	8	AXLE	BGB-005M
2	9	10-32 x BHSCS ZINC	1021F
1	10	10-32 x 1/2 SHCS BLACK	1072F

906-225M

FACTORY REPAIR FEE= \$25.00 PLUS PARTS

CHK'D BY			MFG. INC. 625 N. 12TH ST. ST. CHARLES, IL (630)584-7616
DRAWN BY	J. REHAK		
DATE	3/04	TITLE	ZIROLI STUKA
MODEL No.	ZSTUKA		