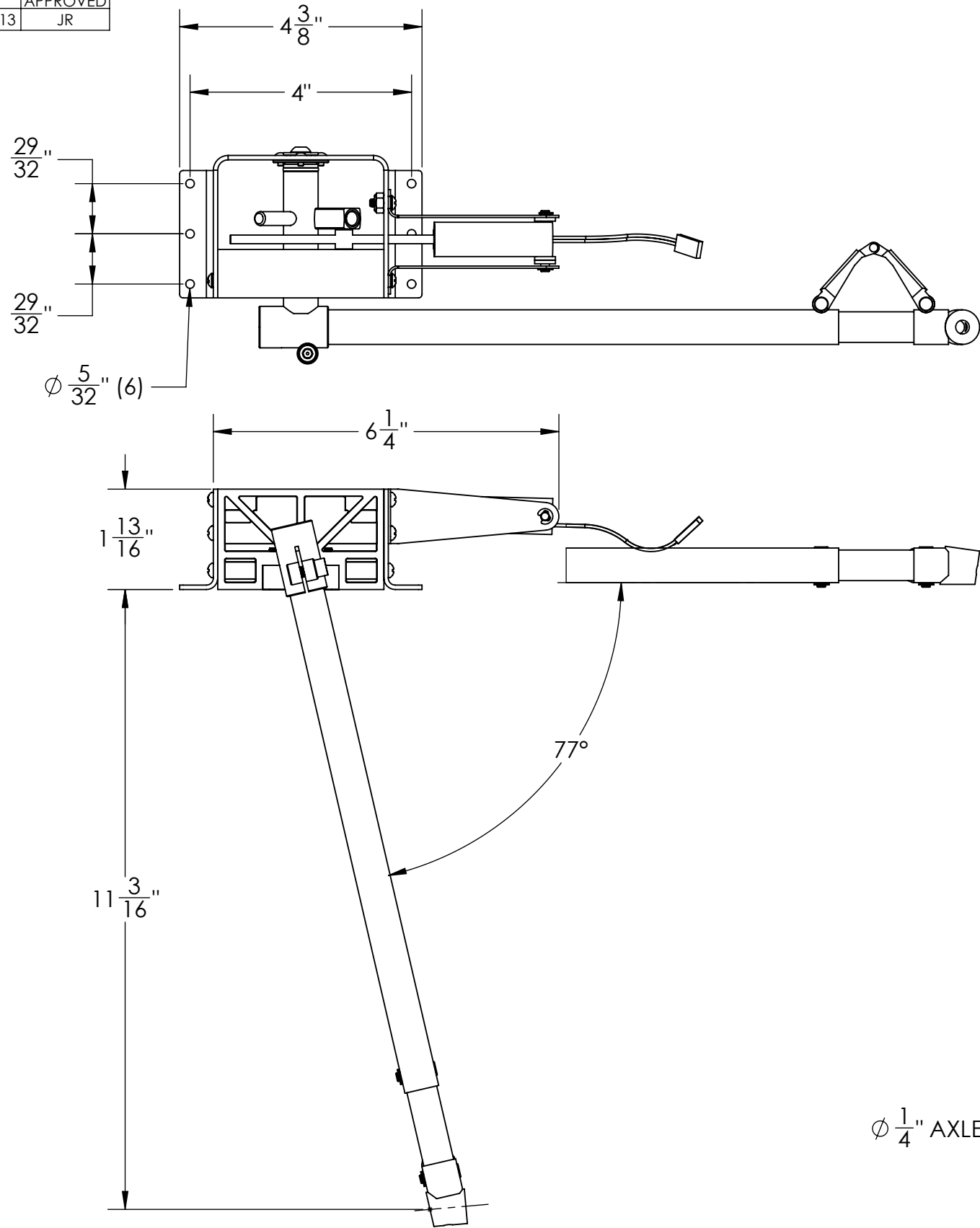


REVISIONS			
REV.	DESCRIPTION	DATE	APPROVED
-	PRODUCTION RELEASE	22MAY13	JR



Ø 1/4" AXLE

ROBART MFG.		
TITLE: TOP FLITE FW-190 MAIN GEAR DIMENSIONAL DETAIL		
SIZE B	DWG. NO. TFFW190E DIM	REV -
SCALE: 1:2.5	WEIGHT:	SHEET 1 OF 1

PROPRIETARY AND CONFIDENTIAL	UNLESS OTHERWISE SPECIFIED:	NAME	DATE
THE INFORMATION CONTAINED IN THIS DRAWING IS THE SOLE PROPERTY OF ROBART MANUFACTURING. ANY REPRODUCTION IN PART OR AS A WHOLE WITHOUT THE WRITTEN PERMISSION OF ROBART MANUFACTURING IS PROHIBITED.	DIMENSIONS ARE IN INCHES	DRAWN	J. REHAK
	TOLERANCES:	CHECKED	22MAY13
	FRACTIONAL ± 1/32	MFG APPR.	
	ANGULAR: MACH ± 1° BEND ± 1°	Q.A.	
	TWO PLACE DECIMAL ± 0.01		
	THREE PLACE DECIMAL ± 0.005		
	FOUR PLACE DECIMAL ± 0.0005		