

SPARE PARTS LIST

QTY.	ITEM NO.	DESCRIPTION	PART NUMBER
1	1	85 RETRACT ASSEMBLY	631E110A
1	1.1	85 DEG FRAME - LH	630019M
3	1.2	FRAME SPACER	630005M
1	1.3	85 DEG FRAME - RH	630020M
1	1.4	TRUNION PIN	630333M
1	1.5	MAIN GEAR TRUNION	630003M
2	1.6	CAM FOLLOWER	630011M
2	1.7	PIVOT PIN RETAINING RING	1132F
2	1.8	#10-32 X 5/16" SET SCREW	1077F
1	1.9	FRAME SPACER	530021M
8	1.10	4-40 X 5/16 TORX FMS ZINC	1065F
1	1.11	ACTUATOR CAM PIN	630E-003M
1	1.12	ELECTRIC ACTUATOR	630E-102P
1	2	STRUT ASSEMBLY	C310102A
1	2.1		C310103A
1	2.2	OLEO ASSEMBLY	660102A
1	2.3	TORQUE LINK ASSEMBLY	620112A
2	2.4	CLEVIS PIN	620012M
2	2.5	E-CLIP	1039F
1	2.6	COMPRESSION SPRING	660006P
1	3	STRUT ADAPTER	660010M

906438M

PROPRIETARY AND CONFIDENTIAL
 THE INFORMATION CONTAINED IN THIS DRAWING IS THE SOLE PROPERTY OF ROBERT MANUFACTURING. ANY REPRODUCTION IN PART OR AS A WHOLE WITHOUT THE WRITTEN PERMISSION OF ROBERT MANUFACTURING IS PROHIBITED.

	NAME	DATE
DRAWN	J.REHAK	22JUL13
CHECKED		



625 N. 12TH ST.
 ST. CHARLES, IL 60174
 PH: 630-584-7616
 FX: 630-584-3712

TITLE:

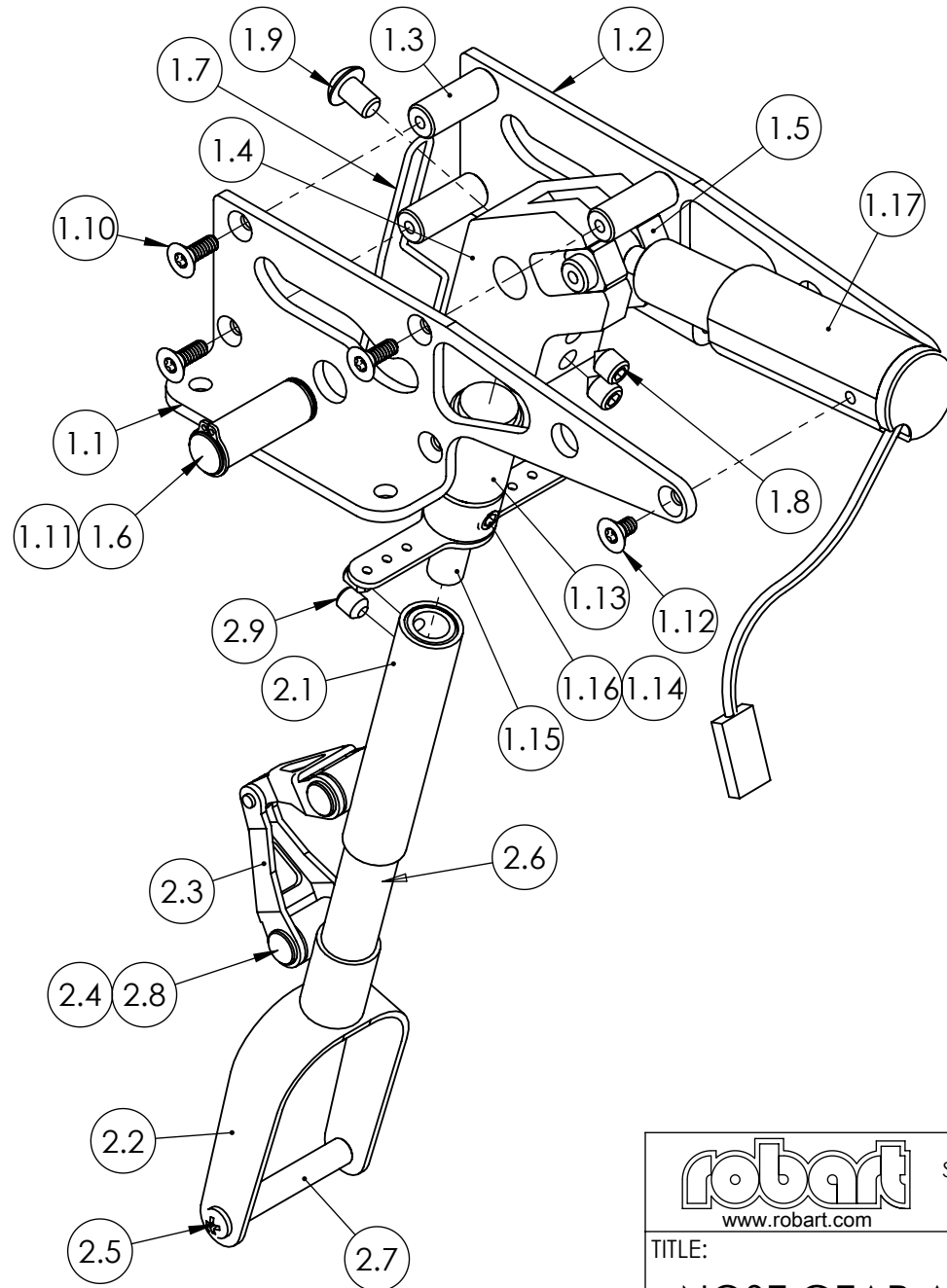
**MAIN GEAR ASSEMBLY
 TFCESSNA310E**

TFCESSNA310ESPM

REV -

SPARE PARTS LIST

QTY.	ITEM NO.	DESCRIPTION	PART NUMBER
1	1	105° RETRACT ASSEMBLY	C310E201A
1	1.1	105 DEG FRAME - LH	630017M
1	1.2	105 DEG FRAME - RH	630018M
3	1.3	FRAME SPACER	630005M
1	1.4	MAIN GEAR TRUNION	630003M
2	1.5	CAM FOLLOWER	630E-211M
1	1.6	TRUNION PIN	630333M
1	1.7	STEERING WIRE	630021M
2	1.8	#10-32 X 5/16" SET SCREW	1077F
1	1.9	#8-32 X 1/4" BHSMS	1133F
6	1.10	4-40 X 5/16 TORX FMS ZINC	1065F
1	1.11	PIVOT PIN RETAINING RING	1132F
2	1.12	4-40 X 3/16 TORX FMS ZINC	1265F
1	1.13	STEERING BUSHING	WB25211M
1	1.14	STEERING ARM	WB25204A
1	1.15	STEERING PIN	C310004M
1	1.16	#10-32 X 3/16 SET SCREW	1199F
1	1.17	NOSE ACTUATOR ASSEMBLY	630E202A
1	2	NOSE STRUT ASSEMBLY	C310202A
1	2.1		C310203A
1	2.2	OLEO RAM WELDMENT	664102A
1	2.3	TORQUE LINK ASSEMBLY	620112A
2	2.4	E-CLIP	1039F
2	2.5	#4-40 X 1/4" BHMS	1047F
1	2.6	COMPRESSION SPRING	660006P
1	2.7	AXLE	664002M
2	2.8	CLEVIS PIN	620012M
2	2.9	#8-32 X 3/16" SET SCREW	1198F



robar
www.robart.com

625 N. 12TH ST.
ST. CHARLES, IL 60174
PH: 630-584-7616
FX: 630-584-3712

TITLE:

**NOSE GEAR ASSEMBLY
TFCESSNA310E**

PROPRIETARY AND CONFIDENTIAL
THE INFORMATION CONTAINED IN THIS DRAWING IS THE SOLE PROPERTY OF ROBERT MANUFACTURING. ANY REPRODUCTION IN PART OR AS A WHOLE WITHOUT THE WRITTEN PERMISSION OF ROBERT MANUFACTURING IS PROHIBITED.

	NAME	DATE
DRAWN	J.REHAK	22JUL13
CHECKED		

TFCESSNA310ESPN REV -

906439M