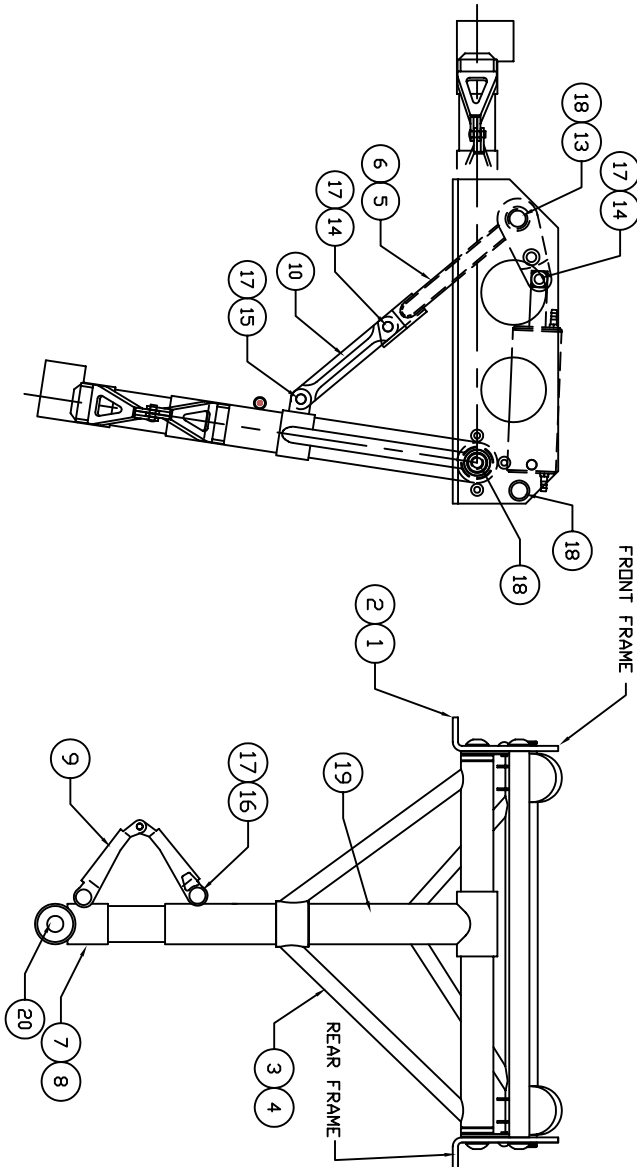
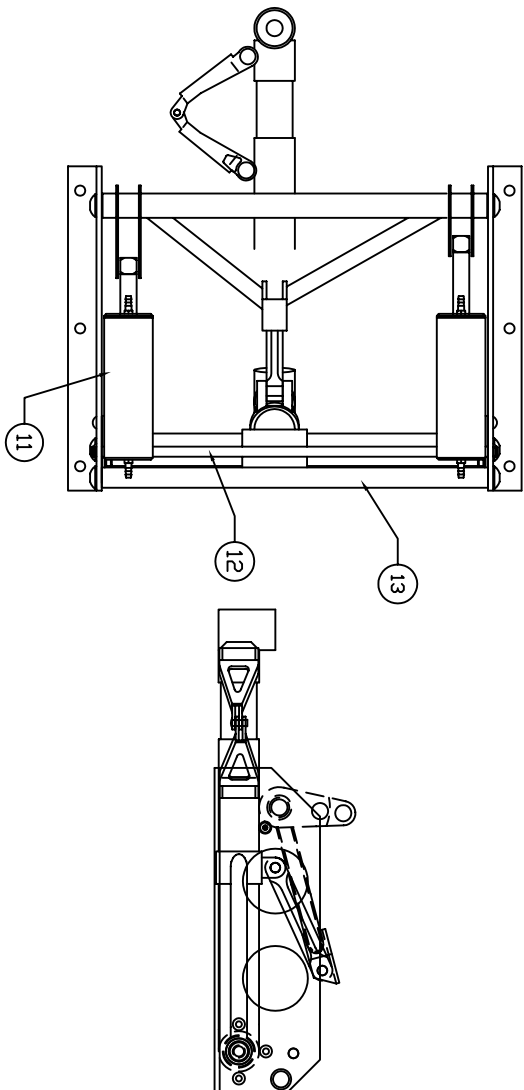



** THIS IS YOUR SPARE PARTS LIST. SAVE FOR FUTURE REFERENCE, ORDER BY PART NUMBER. CURRENT PRICES WILL BE QUOTED.**



SPARE PARTS LIST

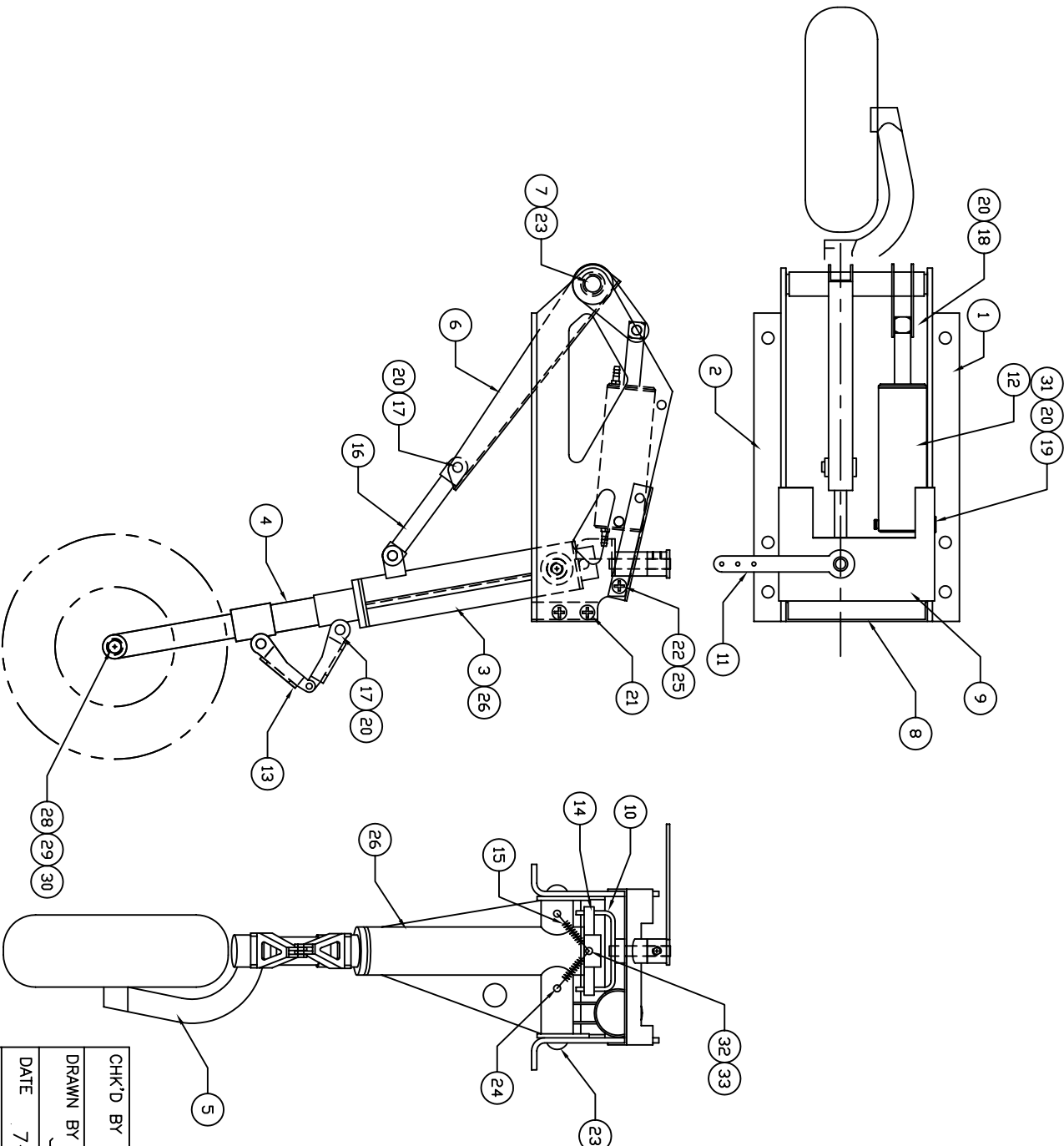
QTY	ITEM	DESCRIPTION	ASSY/PART #
1	1	FRAME ASSEMBLY RH	T34-106A
1	2	FRAME ASSEMBLY LH	T34-107A
1	3	TRUNION ASSEMBLY RH	T34-102A
1	4	TRUNION ASSEMBLY LH	T34-103A
1	5	LIFT FRAME ASSEMBLY RH	T34-104A
1	6	LIFT FRAME ASSEMBLY LH	T34-105A
1	7	OLED RAM (RH)	P38-110A
1	8	OLED RAM (LH)	P38-111A
1	9	TORQUE LINK ASSEMBLY	150-107A
1	10	LOWER LIFT LINK	T34-015M
2	11	CYLINDER ASSEMBLY	T34-108A
1	12	CYLINDER MOUNTING BAR	T34-016M
2	13	LIFT FRAME PIVOT SHAFT	T34-017M
3	14	CLEVIS PIN	150-018M
1	15	CLEVIS PIN	620-012M
2	16	CLEVIS PIN	150-002M
8	17	RETAINING RING	1039F
6	18	#10-32 BHS	1021F
1	19	SPRING	151-019P
1	20	AXLE BAG ASSEMBLY	145-142A

CHK'D BY		 MFG. INC. 625 N. 12TH ST. ST. CHARLES, IL (630)584-7616
DRAWN BY	J. REHAK	
DATE	7-24-02	
MODEL No.	T-34	
TITLE		T34 MAIN GEAR ASSEMBLY LH SHOWN

906-105M

FACTORY REPAIR FEE= \$25.00 PLUS PARTS

** THIS IS YOUR SPARE PARTS LIST. SAVE FOR FUTURE REFERENCE, ORDER BY PART NUMBER. CURRENT PRICES WILL BE QUOTED.**



SPARE PARTS LIST

QTY	ITEM	DESCRIPTION	ASSY/PART #
1	1	FRAME ASSEMBLY	T34-207A
1	2	FRAME ASSEMBLY	T34-221A
1	3	TRUNION ASSEMBLY	T34-201A
1	4	ROTATION STRUT ASSEMBLY	T34-202A
1	5	OLEO ASSEMBLY	T34-204A
1	6	LIFT ARM ASSEMBLY	T34-203A
1	7	LIFT ARM PIVOT SHAFT	T34-227M
1	8	FRAME SPACER	T34-228M
1	9	STEERING PLATE ASSEMBLY	T34-205A
1	10	STEERING YOKE ASSEMBLY	T34-206A
1	11	STEERING ARM ASSEMBLY	158-105A
1	12	CYLINDER ASSEMBLY	620-108A
1	13	TORQUE LINK ASSEMBLY	620-112A
1	14	STEERING PIN	158-006M
2	15	CENTERING SPRINGS	158-001P
1	16	LOWER LIFT LINK	T34-226M
4	17	CLEVIS PIN	620-012M
1	18	CLEVIS PIN	150-018M
1	19	CLEVIS PIN	150-012M
6	20	RETAINING RING	1039F
4	21	#4-40 x 1/4 FHSMS	1026F
4	22	#4-40 x 1/4 PPHMS	1047F
4	23	#10-32 x 1/4 BHCS	1021F
3	24	#2-56 x 1/4 FHMS	1023F
4	25	#4-40 HEX NUT	1035F
1	26	OLEO SPRING 6 1/2" LONG	150-019P
1	27	SET SCREW #6-32	1060F
1	28	1/4-20 x 1 1/2 SHCS ZINC	1096F
1	29	0.032 x 1/4" DIA. WASHER	1105F
1	30	1/4-20 JAM NUT 0.156 THK	1106F
1	31	O-RING	204-006P
1	32	ALUMINUM SLEEVE	102-009P
1	33	#2-56 x 1/2" SHCS	1055F

CHK'D BY
 DRAWN BY J. REHAK
 DATE 7-25-02
 MODEL No. T-34

FACTORY REPAIR FEE= \$25.00 PLUS PARTS

MFG. INC.
 625 N. 12TH ST.
 ST. CHARLES, IL
 (630)584-7616
www.robot.com

TITLE
 T34 NOSE GEAR ASSEMBLY

906-106M