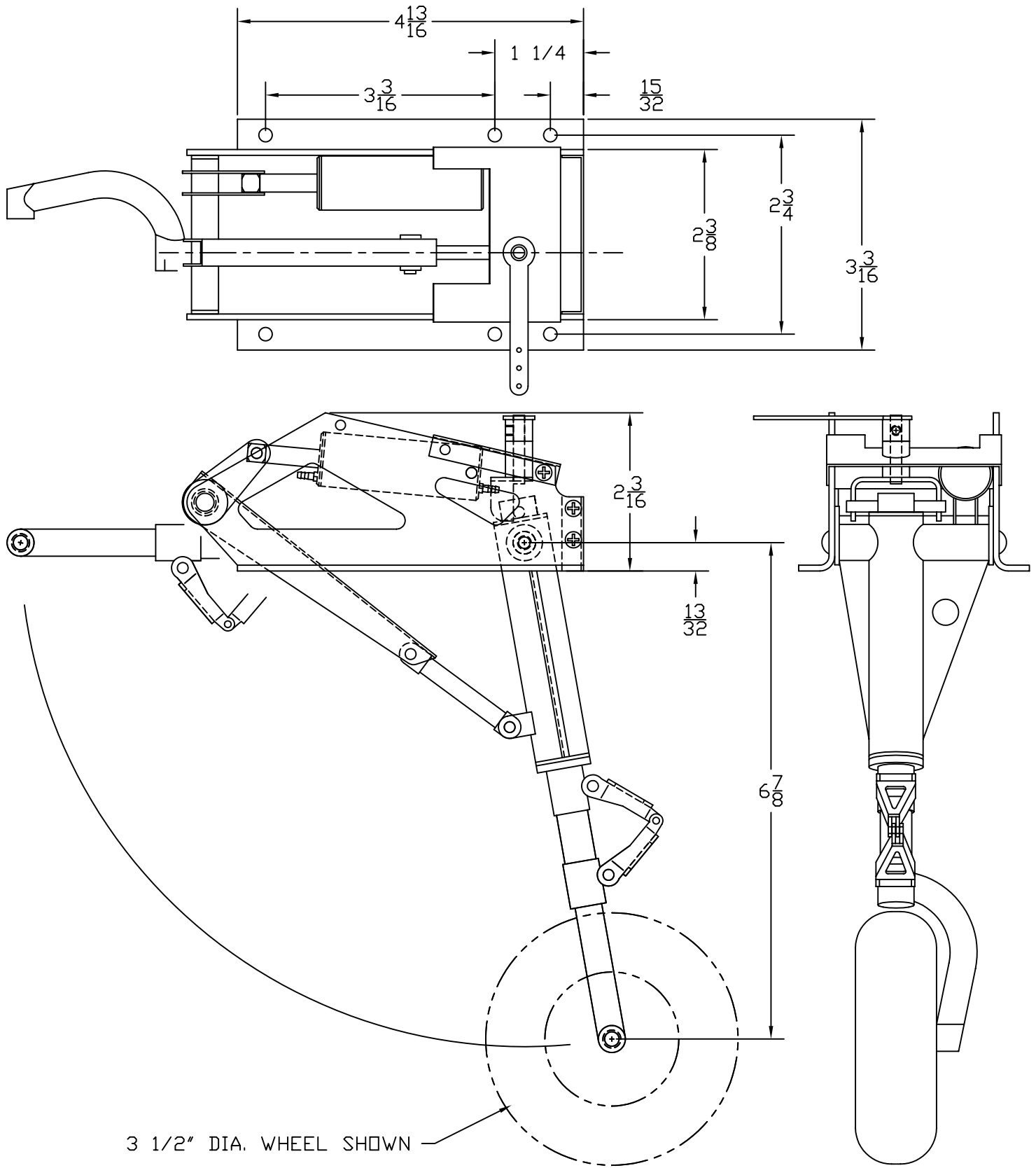


T34 MAIN GEAR OPERATIONAL DETAILS

THIS DRAWING ITS CONTENTS AND INFORMATION, ARE CONFIDENTIAL, AND THE PROPERTY OF ROBERT MFG. INC. IT MAY NOT BE USED, COPIED, AND / OR TRANSMITTED TO ANY PERSON, FIRM, OR CORPORATION WITHOUT THE PRIOR WRITTEN APPROVAL OF ROBERT MFG. INC.

Dr. BY	C.SOSTAK
DATE	2/96

	MFG. INC 625 N. 12th ST. ST. CHARLES IL.
	TITLE T34 MAIN GEAR OPERATIONAL DETAILS
DRAWING No.	T34-000M



3 1/2" DIA. WHEEL SHOWN

T34 NOSE GEAR OPERATIONAL DETAILS



MFG. INC
 625 N. 12th ST.
 ST. CHARLES IL.

THIS DRAWING ITS CONTENTS AND INFORMATION, ARE CONFIDENTIAL, AND THE PROPERTY OF ROBERT MFG. INC. IT MAY NOT BE USED, COPIED, AND / OR TRANSMITTED TO ANY PERSON, FIRM, OR CORPORATION WITHOUT THE PRIOR WRITTEN APPROVAL OF ROBERT MFG. INC.

Dr. BY CMS

DATE 4/96

TITLE
 T34 NOSE GEAR
 OPERATIONAL DETAILS

DRAWING No.
 T34-000N