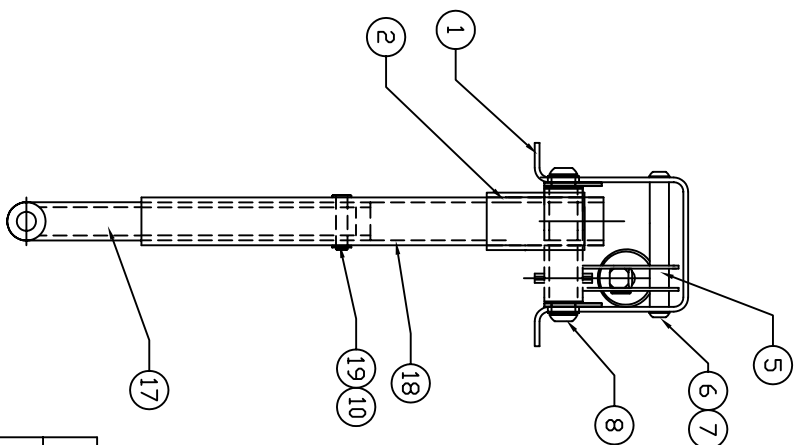
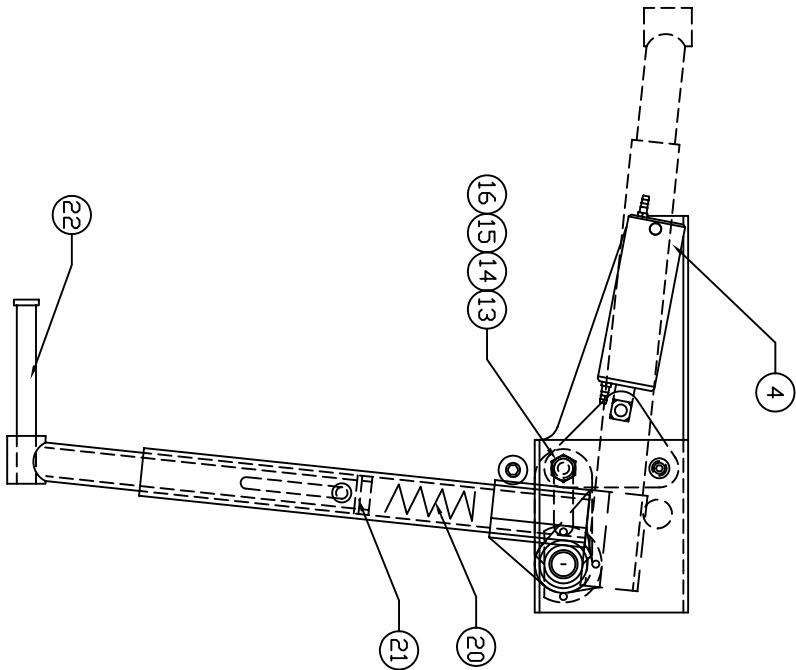
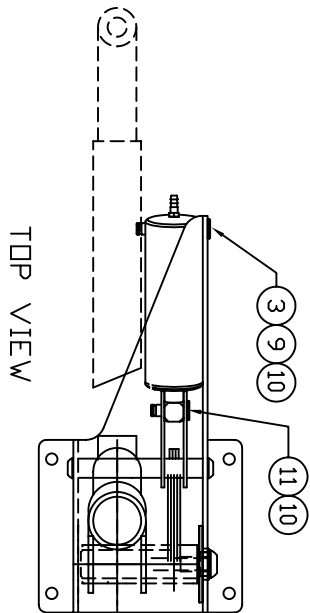



\*\* THIS IS YOUR SPARE PARTS LIST. SAVE FOR FUTURE REFERENCE, ORDER BY PART NUMBER. CURRENT PRICES WILL BE QUOTED.\*\*



## SPARE PARTS LIST

QTY	ITEM	DESCRIPTION	ASSY/PART #
1/1	1	FRAME RH/LH	161-109A/161-110A
1/1	2	TRUNION RH&LH	SBD-102A/SBD-103A
1	3	D-RING	204-006P
1	4	CYLINDER	161-108A
1	5	PIVOT ASSEMBLY	161-104A
1	6	PIVOT PIN	161-011M
2	7	SCREW 6-32 X 1/4"	1020F
2	8	10-32 X 1/4" BHSCS	1021F
1	9	CLEVIS PIN CYLINDER	150-012M
3	10	E CLIP	1039F
1	11	ACTUATOR CLEVIS PIN	150-018M
1	12	#10-32 x 1/2" SHCS	1072F
1	13	ROLLER	161-010M
1	14	#4-40 X 1/2" SHCS	1082F
1	15	#4 WASHER	1102F
1	16	#4-40 STDP NUT	1049F
1	17	OLED STRUT	SBD-106A
1	18	STRUT TUBE	SBD-105A
1	19	CLEVIS PIN	150-002M
1	20	SPRING	SBD-003M
1	21	SPRING PLUNGER	P38-032M
1	22	AXLE BAG ASSEMBLY	145-142A

CHK'D BY			MFG. INC. 625 N. 12TH ST. ST. CHARLES, IL (630)584-7616
DRAWN BY	J. REHAK		
DATE	7/02	TITLE	ZIROLI SBD DAUNTLESS 1/5 SCALE
MODEL No.	SBDZ		MAIN LANDING GEAR

FACTORY REPAIR FEE= \$25.00 PLUS PARTS

906-104M