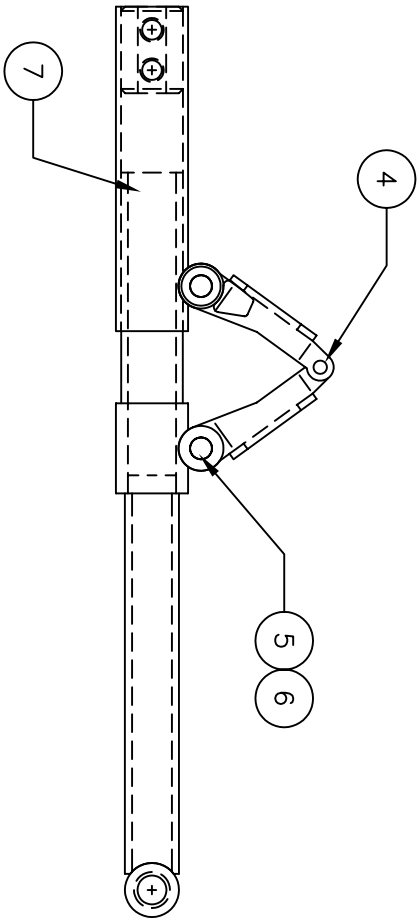
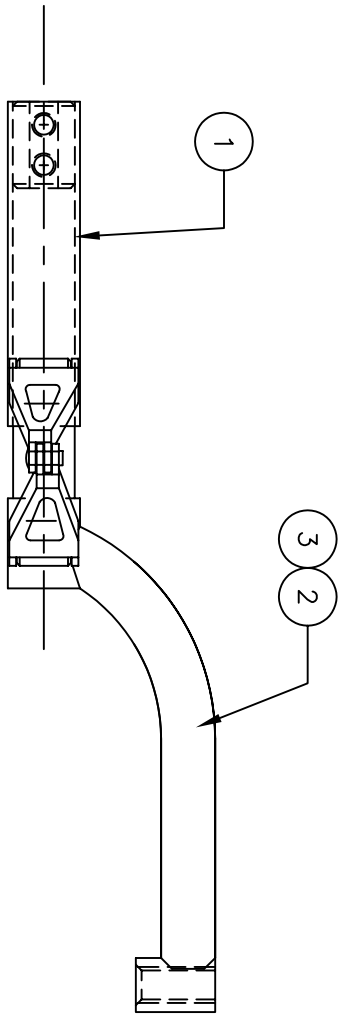
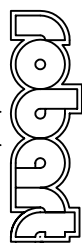


** THIS IS YOUR SPARE PARTS LIST. SAVE FOR FUTURE REFERENCE, ORDER BY PART NUMBER. CURRENT PRICES WILL BE QUOTED.**



SPARE PARTS LIST			
QTY	ITEM	DESCRIPTION	ASS'Y/PART #
1	1	STRUT TUBE ASSEMBLY	PT19-302A
1	2	OLEO RAM ASSEMBLY LH	PT19-303A
1	3	OLEO RAM ASSEMBLY RH	PT19-304A
1	4	TORQUE LINK ASSEMBLY	620-112A
2	5	CLEVIS PIN	620-012M
2	6	RETAINING RING	1039F
1	7	SPRING 3 3/8" LONG	150-019P

CHK'D BY		 <p>MFG. INC. 625 N. 12TH ST. ST. CHARLES, IL (630)584-7616</p>
DRAWN BY	J. REHAK	
DATE	3/04	
MODEL No.	PT19HA9	
TITLE		HANGAR 9 PT19 STRUT ASSEMBLY
FACTORY REPAIR FEE= \$25.00 PLUS PARTS		
906-219M		