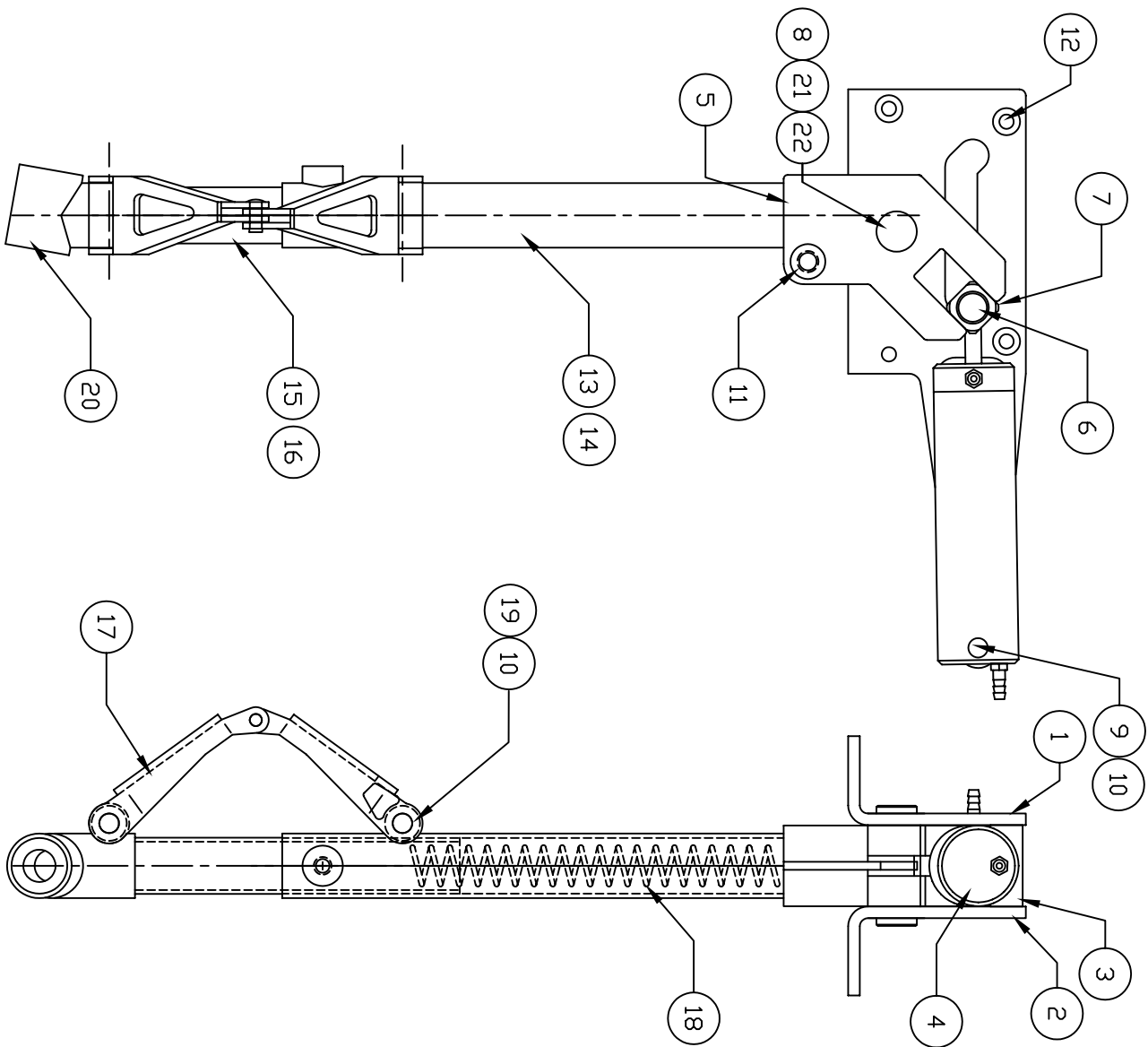
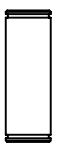


** THIS IS YOUR SPARE PARTS LIST. SAVE FOR FUTURE REFERENCE, ORDER BY PART NUMBER. CURRENT PRICES WILL BE QUOTED.**



SPARE PARTS LIST

QTY	ITEM	DESCRIPTION	ASSY/PART #
1	1	SIDE FRAME (LH)	630-001M
1	2	SIDE FRAME (RH)	630-002M
3	3	FRAME SPACER	630-005M
1	4	CYLINDER ASSEMBLY	630-102A
1	5	TRUNION	630-003M
1	6	CAM PIN	630-012M
2	7	CAM FOLLOWER	630-011M
2	8	TRUNION BOLT	630-006M
1	9	CLEVIS PIN	150-012M
3	10	RETAINING RING	1039F
1	11	CLAMP SCREW	1110F
6	12	#4-40 x 1/4" PPHMS	1047F
1	13	UPPER STRUT TUBE	SPF-206A
1	14	UPPER STRUT TUBE	SPF-207A
1	15	OLEO RAM ASSY	SPF-104A
1	16	OLEO RAM ASSY	SPF-105A
1	17	TORQUE LINK ASSY	150-107A
1	18	SPRING 6" LONG	150-019P
2	19	CLEVIS PIN	150-002M
1	20	AXLE BAG ASSEMBLY	145-142A
1	21	TRUNION PIN **	630-333M
2	22	PIN RETAINING RING **	1132F



** USED FOR NEW STYLE
NOTE WHICH STYLE WHEN ORDERING
-- NEW STYLE USES PIN WITH RETAINING RINGS



-- OLD STYLE USES BOLTS

906-085M

FACTORY REPAIR FEE= \$25.00 PLUS PARTS

CHK'D BY		MFG. INC.
DRAWN BY	J. REHAK	625 N. 12TH ST. ST. CHARLES, IL (630)584-7616
DATE	8-7-02	TITLE
MODEL No.	630-PSPF	PICA SPITFIRE MAIN GEAR (HEAVY DUTY)
		www.robart.com