

SPARE PARTS LIST			
QTY.	ITEM NO.	DESCRIPTION	PART NUMBER
1	1	90 DEG RETRACT	530106A
1	2	90 DEG FRAME - RH	550015M
4	3	FRAME SPACER	530021M
1	4	90 DEG FRAME - LH	550014M
1	5	TRUNION PIN	530026M
1	6	TRUNION	530022M
2	7	CAM FOLLOWER	530030M
1	8	CAM PIN	530029M
2	9	RETAINING RING	1125F
1	10	CYLINDER ASSEMBLY	530120A
8	11	4-40 X 5/16 TORX FMS ZINC	1065F
2	12	#8-32 X 3/16" SET SCREW	1198F
1	13	MAIN STRUT ASSEMBLY	HA9B25101A
1	14	UPPER STRUT ASSEMBLY	HA9B25102A
1	15	OLEO ASSEMBLY	660102A
1	16	OLEO RAM	660008M
1	17	TORQUE LINK MOUNT	660005M
1	18	AXLE BUSHING	660003M
1	19	TORQUE LINK ASSEMBLY	620112A
2	20	CLEVIS PIN	620012M
2	21	E-CLIP	1039F
1	22	COMPRESSION SPRING	660006P

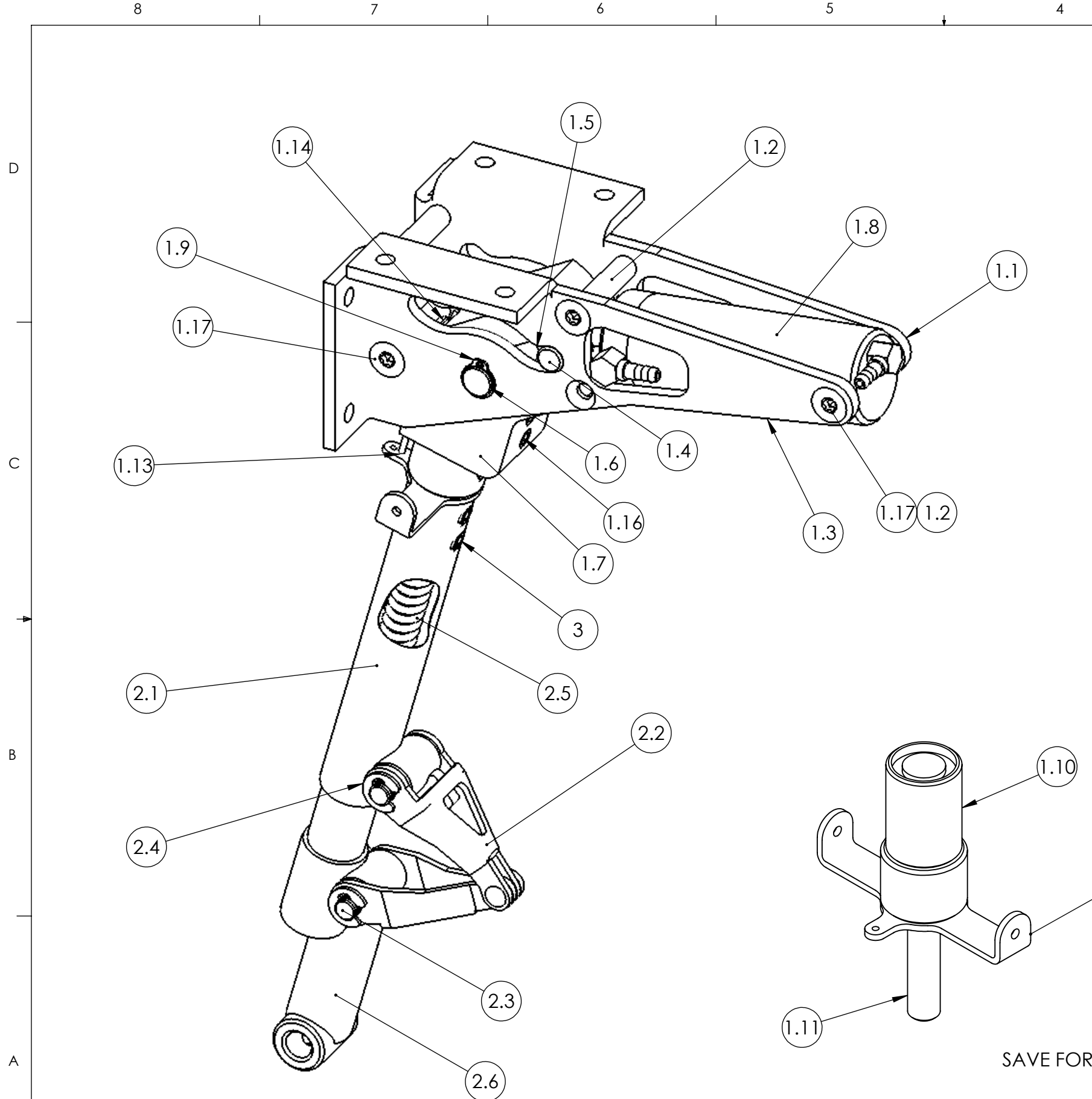
CUT SPRING TO 5" LONG

AXLE BAG = AF15-142A
INCLUDES ALL PARTS FOR MAIN AND NOSE GEAR

**** THIS IS YOUR SPARE PARTS LIST. ****
SAVE FOR FUTURE REFERENCE, ORDER BY PART NUMBER.
CURRENT PRICES WILL BE QUOTED.

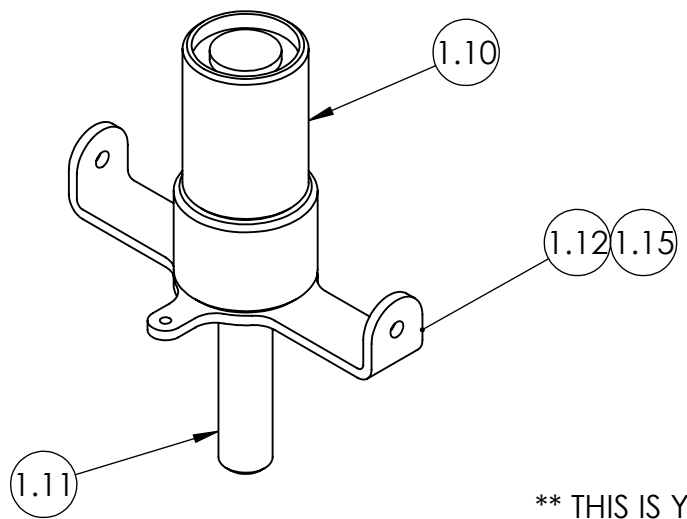
PROPRIETARY AND CONFIDENTIAL		NAME	DATE
THE INFORMATION CONTAINED IN THIS DRAWING IS THE SOLE PROPERTY OF ROBART MANUFACTURING. ANY REPRODUCTION IN PART OR AS A WHOLE WITHOUT THE WRITTEN PERMISSION OF ROBART MANUFACTURING IS PROHIBITED.	DRAWN	J. REHAK	10SEPT07
	CHECKED		
SPARE PARTS DRAWING #	906-314M		

ROBART MFG.		
TITLE: MAIN GEAR ASSEMBLY HANGAR 9 B-25		
SIZE B	DWG. NO. HANB25SPM	REV
		SHEET 1 OF 1



ITEM NO.	QTY.	DESCRIPTION	PART NUMBER
1	1	RETRACT ASSMELBY	550203A
1.1	1	105 DEG FRAME - RH	550219M
1.2	4	FRAME SPACER	530021M
1.3	1	105 DEG FRAME - LH	550218M
1.4	1	CAM PIN	530029M
1.5	2	CAM FOLLOWER	530030M
1.6	1	TRUNION PIN	530026M
1.7	1	MAIN GEAR TRUNION	550001M
1.8	1	CYLINDER ASSEMBLY	530120A
1.9	2	RETAINING RING	1125F
1.10	1	STEERING BEARING	530032M
1.11	1	AXLE PIN	650010M
1.12	1	STEERING ARM ASSEMBLY	530125A
1.13	1	CENTERING SPRING	550230M
1.14	1	#4-40 x 3/16" BHSMS	1022F
1.15	1	#8-32 x 1/8" SET SCREW	1142F
1.16	2	#8-32 X 3/16" SET SCREW	1198F
1.17	8	4-40 X 5/16 TORX FMS ZINC	1065F
2	1	NOSE STRUT ASSEMBLY	HA9B25201A
2.1	1	UPPER STRUT ASSEMBLY	HA9B25202A
2.2	1	TORQUE LINK ASSEMBLY	620112A
2.3	2	CLEVIS PIN	620012M
2.4	2	E-CLIP	1039F
2.5	1	COMPRESSION SPRING	660006P
2.6	1	OLEO ASSEMBLY	ARO-201A
3	2	#8-32 x 1/8" SET SCREW	1142F

CUT SPRING TO 3 3/4" LONG



AXLE BAG = AF15-142A
INCLUDES ALL PARTS FOR MAIN AND NOSE GEAR

**** THIS IS YOUR SPARE PARTS LIST. ****
SAVE FOR FUTURE REFERENCE, ORDER BY PART NUMBER.
CURRENT PRICES WILL BE QUOTED.

PROPRIETARY AND CONFIDENTIAL		NAME	DATE
THE INFORMATION CONTAINED IN THIS DRAWING IS THE SOLE PROPERTY OF ROBART MANUFACTURING. ANY REPRODUCTION IN PART OR AS A WHOLE WITHOUT THE WRITTEN PERMISSION OF ROBART MANUFACTURING IS PROHIBITED.	DRAWN	J. REHAK	10SEPT07
	CHECKED		
SPARE PARTS DRAWING #	906-315M		

ROBART MFG.		
TITLE: NOSE GEAR ASSEMBLY HANGAR 9 B-25		
SIZE B	DWG. NO. HANB25SPN	REV
		SHEET 1 OF 1