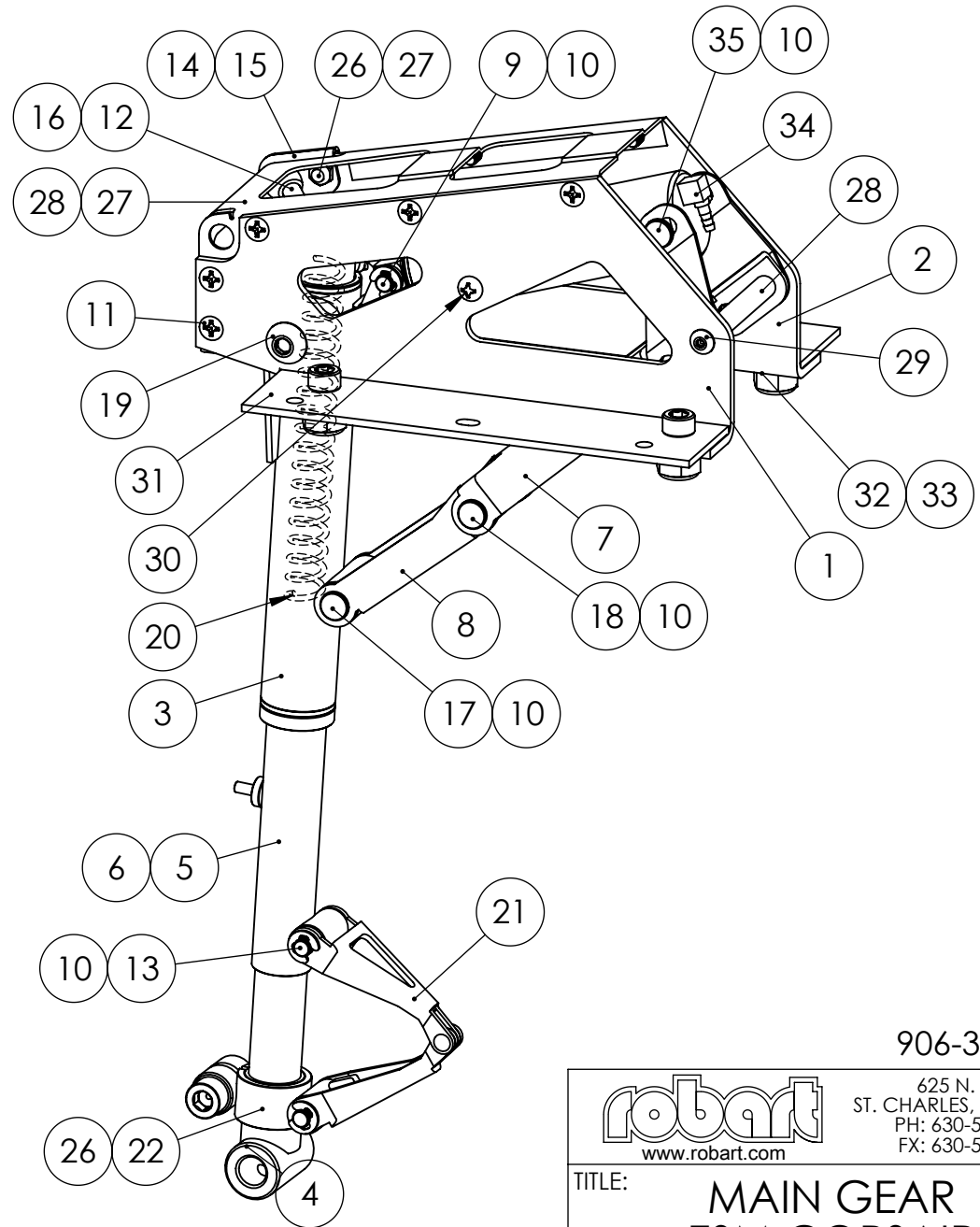


## SPARE PARTS LIST

QTY.	ITEM NO.	DESCRIPTION	PART NUMBER
1	1	SIDE PLATE (LH)	148036M
1	2	SIDE PLATE (RH)	148037M
1	3	TRUNION ASSEMBLY	148112A
1	4	OLEO RAM ASSEMBLY	150104A
1	5	ROTATION STRUT - RH	150123A
1	6	ROTATION STRUT - LH	150124A
1	7	LIFT LINK ASSEMBLY	148105A
1	8	LOWER LIFT LINK	148028M
1	9	CLEVIS PIN	150018M
8	10	E-CLIP	1039F
8	11	#4 X 1/4 PPHMS	1026F
1	12	CAM FOLLOWER	148102A
3	13	CLEVIS PIN	150002M
1	14	CAM FRAME - RH	150047M
1	15	CAM FRAME - LH	150049M
1	16	CAM BALL	150032M
1	17	CLEVIS PIN	150010M
2	18	CLEVIS PIN	150033M
2	19	#10-32 BHCS	1021F
1	20	COMPRESSION SPRING	150019P
1	21	TORQUE LINK ASSEMBLY	150107A
1	22	ADJ. TORQUE LINK MOUNT - RH	150110A
1	23	ADJ. TORQUE LINK MOUNT - LH	150111A
1	27	SPACER BRACKET - RH	150051M
1	25	SPACER BRACKET - LH	150050M
2	26	#4-40 X 1/4" BHMS	1047F
2	27	#4-40 HEX NUT	1035F
1	28	LIFT YOKE PIVOT PIN	150004M
2	29	#4-40 x 3/16" BHSMS	1022F
1	30	#4 X 3/8 PPHSMS	1012F
2	31	FLANGE ADAPTER	ESMC001M
4	32	#8-32 LOCK NUT	1124F
4	33	#8-32 X 3/8" SHCS	1110F
1	34	CYLINDER ASSEMBLY	148108A
1	35	CLEVIS PIN	150012M



906-381M

**robart**  
www.robart.com

625 N. 12TH ST.  
ST. CHARLES, IL 60174  
PH: 630-584-7616  
FX: 630-584-3712

TITLE: **MAIN GEAR  
ESM CORSAIR  
RH SHOWN**

**PROPRIETARY AND CONFIDENTIAL**  
THE INFORMATION CONTAINED IN THIS DRAWING IS THE SOLE PROPERTY OF ROBART MANUFACTURING. ANY REPRODUCTION IN PART OR AS A WHOLE WITHOUT THE WRITTEN PERMISSION OF ROBART MANUFACTURING IS PROHIBITED.

	NAME	DATE
DRAWN	J.REHAK	12JUN13
CHECKED		

ESMCSPM

REV -