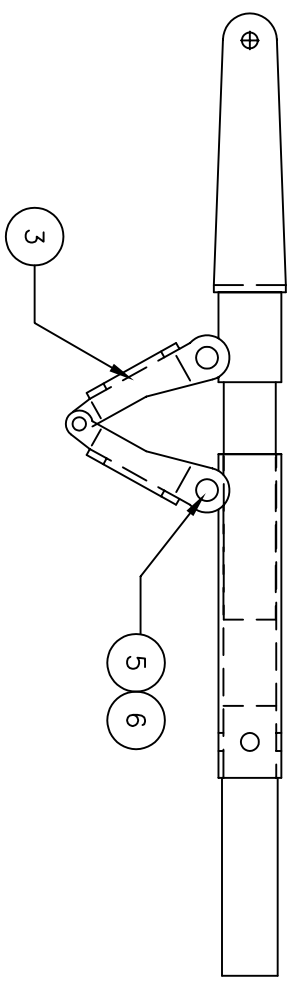
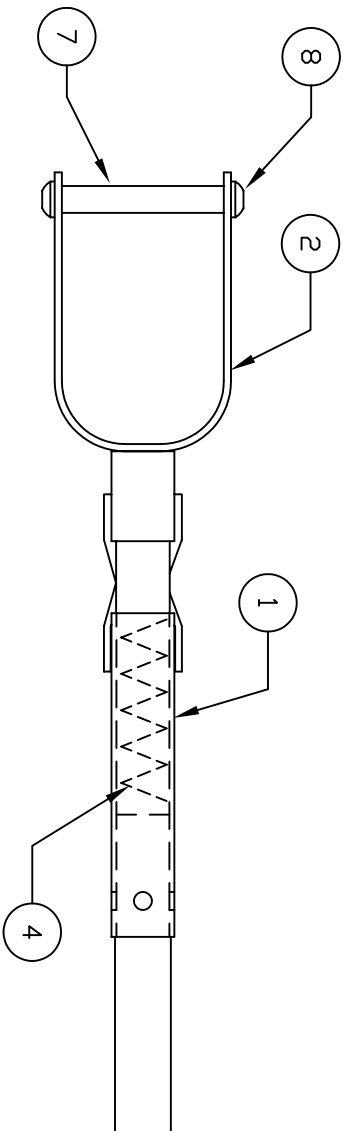



** THIS IS YOUR SPARE PARTS LIST. SAVE FOR FUTURE REFERENCE, ORDER BY PART NUMBER. CURRENT PRICES WILL BE QUOTED.**

SPARE PARTS LIST

QTY	ITEM	DESCRIPTION	ASS'Y/PART #
1	1	STRUT WELDMENT	C182-101A
1	2	OLEO RAM WELDMENT	C182-102A
1	3	TORQUE LINK ASSEMBLY	620-112A
1	4	SPRING 4 1/2" LONG	660-006P
2	5	CLEVIS PIN	620-012M
2	6	RETAINING RING	.1039F
1	7	AXLE	664-002M
2	8	#4-40 PPHMS	1047F
	9		



CHK'D BY		 MFG. INC. 625 N. 12TH ST. ST. CHARLES, IL (630)584-7616
DRAWN BY	J. REHAK	
DATE	3/04	
MODEL No.	C182HA9	
TITLE		C182-HA9 NOSE GEAR

906-223M FACTORY REPAIR FEE= \$25.00 PLUS PARTS