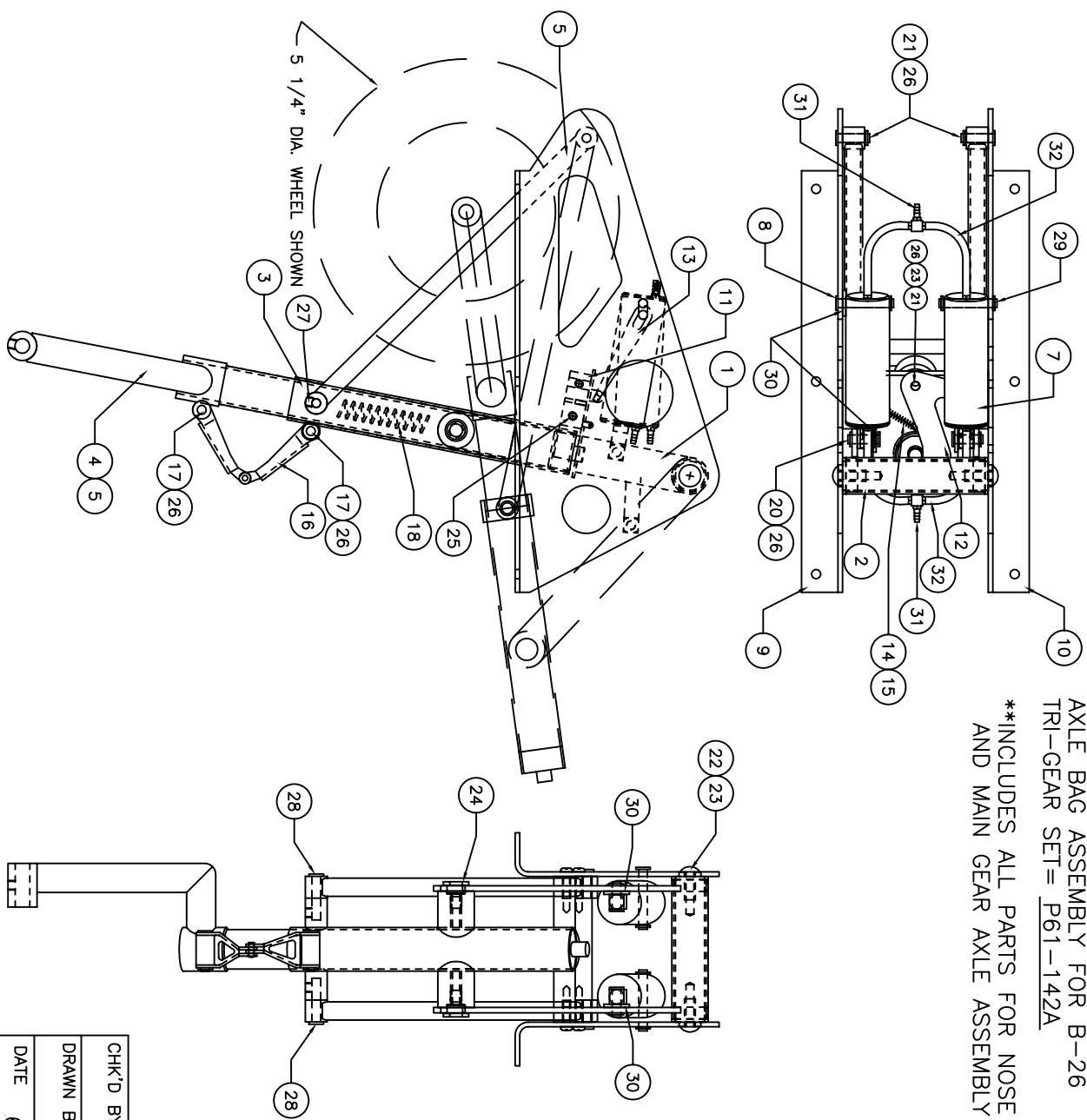


** THIS IS YOUR SPARE PARTS LIST. SAVE FOR FUTURE REFERENCE, ORDER BY PART NUMBER. CURRENT PRICES WILL BE QUOTED.**

AXLE BAG ASSEMBLY FOR B-26


TRI-GEAR SET= P61-142A

**INCLUDES ALL PARTS FOR NOSE AND MAIN GEAR AXLE ASSEMBLY



SPARE PARTS LIST

QTY	ITEM	DESCRIPTION	ASSY/PART #
1	1	TRAPEZE WELDMENT	B26-106A
1	2	TRAPEZE PIVOT BAR	B26-006M
1	3	UPPER STRUT WELDMENT	B26-102A
1	4	OFFSET STRUT WELDMENT RH	B26-104A
1	5	OFFSET STRUT WELDMENT LH	B26-105A
2	6	LIFT BRACE WELDMENT	B26-103A
2	7	CYLINDER ASSEMBLY	161-108A
1	8	CYLINDER CLEVIS PIN	150-012M
1	9	SIDE FRAME LH	B26-001M
1	10	SIDE FRAME RH	B26-002M
1	11	SPACER BLOCK	B26-015M
1	12	HOOK/UPLOCK	B26-014M
1	13	LATCH PAWL	B26-016M
1	14	LATCH SPRING- CUT 2 COILS	102-008M
1	15	2-56 MS	1083F
1	16	TORQUE LINK ASSEMBLY	150-107A
4	17	CLEVIS PIN	150-002M
1	18	SPRING 8 1/2" LONG	151-019P
2	19	CLEVIS PIN	150-018M
3	20	CLEVIS PIN	B26-017M
	21		
2	22	10-32 x 3/8" B.H.C.S.	1031F
2	23	#10 WASHER	1075F
2	24	HEX BOLT	151-008M
4	25	6-32 x 3/8 RD. HD. MS	1071F
7	26	RETAINING RING	1039F
2	27	10-32 x 3/16 SET SCREW	1198F
2	28	NOTCHED CLEVIS PIN	B26-021M
1	29	CLEVIS BAR	B26-022M
3	30	#6 WASHER	1116F
2	31	BRASS "T"	225-100A
4	32	1/8" x 1 1/4" PLASTIC TUBING	50010

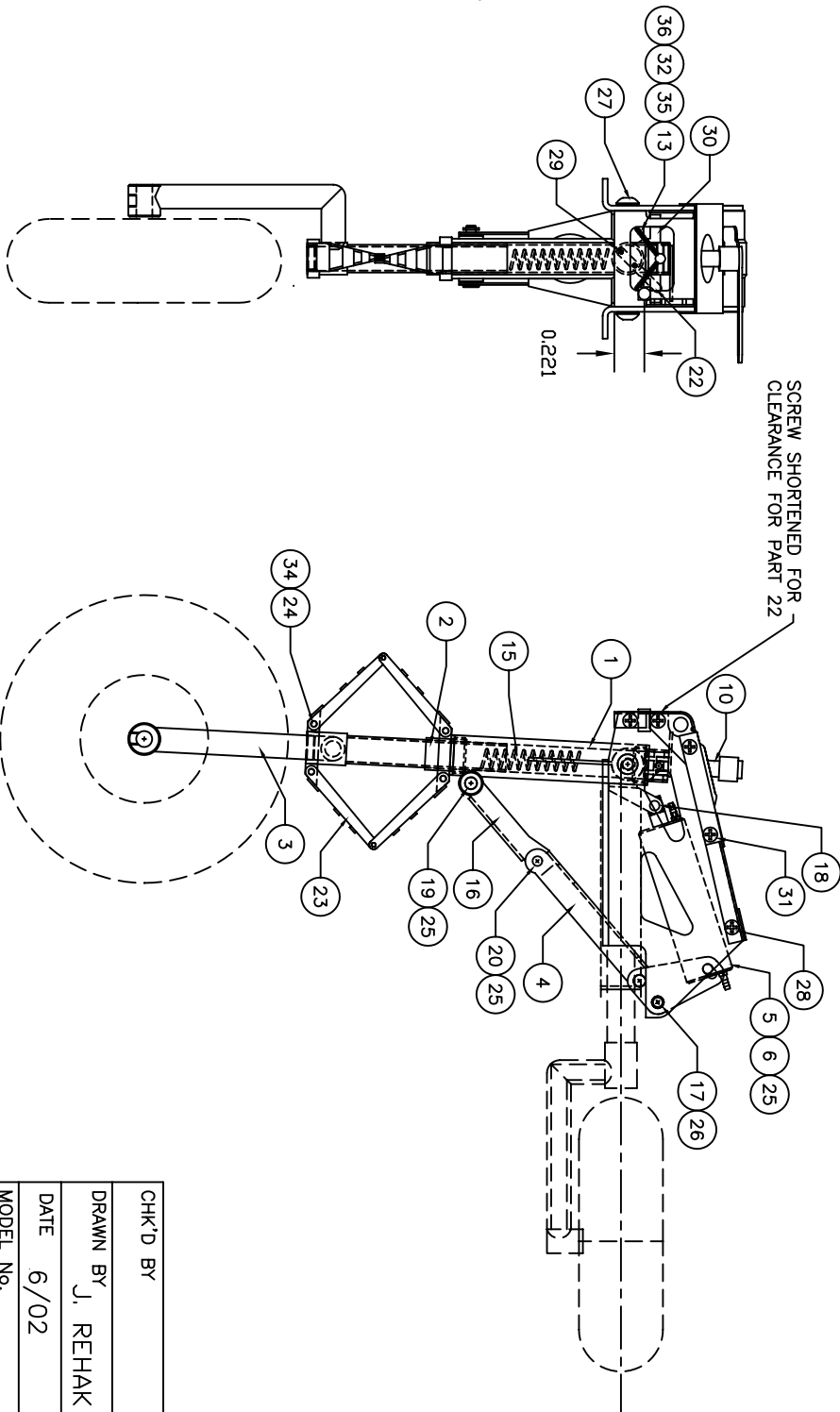
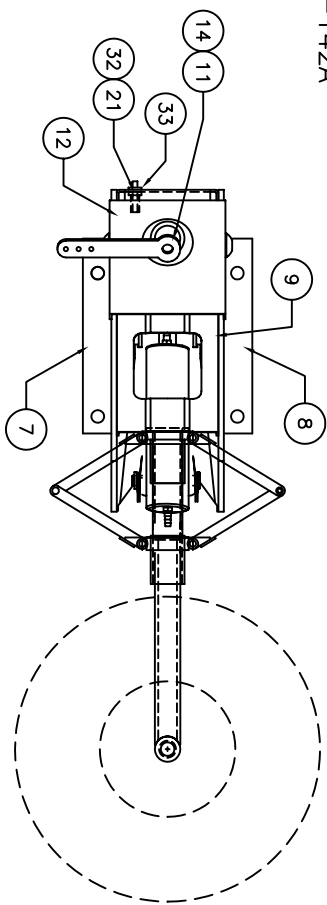
CHK'D BY			MFG. INC. 625 N. 12TH ST. ST. CHARLES, IL (630)584-7616
DRAWN BY	J. REHAK		
DATE	6/02	TITLE	JERRY BATES DESIGN
MODEL No.	B26		B-26 MAIN GEAR 1/8 SCALE

FACTORY REPAIR FEE= \$25.00 PLUS PARTS

906-094M

** THIS IS YOUR SPARE PARTS LIST. SAVE FOR FUTURE REFERENCE, ORDER BY PART NUMBER. CURRENT PRICES WILL BE QUOTED.**

AXLE BAG ASSEMBLY FOR B-26= P61-142A
 **INCLUDES AXLE ASSEMBLY FOR
 NOSE AND MAIN GEAR




SPARE PARTS LIST

QTY	ITEM	DESCRIPTION	ASSTY/PART #
1	1	TRUNION WELDMENT	B26-222A
1	2	ROTATION STRUT WELDMENT	B26-221A
1	3	OLEO RAM WELDMENT	B26-220A
1	4	LIFT YOKE ASSEMBLY	148-105A
1	5	CYLINDER ASSEMBLY	148-108A
1	6	CYLINDER PIVOT PIN	150-012M
1	7	SIDE FRAME (LH)	B26-209M
1	8	SIDE FRAME (RH)	B26-210M
1	9	SPACER BRACKET	B26-214M
1	10	STEERING YOKE ASSEMBLY	B26-107A
1	11	STEERING ARM ASSEMBLY	158-105A
1	12	STEERING BRACKET ASSEMBLY	158-104A
2	13	SPRING	102-008M
1	14	SET SCREW	1060F
1	15	SPRING 6 1/2" LONG	150-019P
1	16	LIFT LINK	148-028M
1	17	LIFT YOKE PIVOT PIN	150-004M
1	18	ACTUATOR CLEVIS PIN	150-018M
1	19	LIFT LINK PIN	150-010M
2	20	YOKE CLEVIS PIN	150-033M
1	21	CATCH HOOK	B26-212M
1	22	LATCH PAWL	B26-213M
2	23	TORQUE LINK ASSEMBLY	B26-223A
4	24	TORQUE LINK CLEVIS PIN	B26-205M
5	25	RETAINING RING	1039F
2	26	#6-32 x 1/4 PFH	1022F
2	27	#10-32 x 1/4 BHCS	1021F
6	28	#4 x 1/4 PTHSMS	1026F
2	29	#2-56 x 1/4 FHMS - 0.200 LONG	1005F MODIFIED
1	30	ROTATING SHAFT STEERING PIN	B26-019M
4	31	#4-40 x 1/4 PPHMS	1051F
3	32	2-56 x 1/4 SHCS ZINC	1083F
1	33	#3 FLAT WASHER	1127F
4	34	3/32" RETAINING RING	1062F
1	35	2-56 x 1/2 SHCS ZINC	158-013M
1	36	1/8" x 0.225 SPACER TUBE	102-009P

FACTORY REPAIR FEE= \$25.00 PLUS PARTS

906-095M

CHK'D BY	
DRAWN BY	J. REHAK
DATE	6/02
MODEL No.	B26


 MFG. INC.
 625 N. 12TH ST.
 ST. CHARLES, IL
 (630)584-7616
 www.robot.com
 TITLE JERRY BATES DESIGN
 B-26 NOSE GEAR
 1/8 SCALE