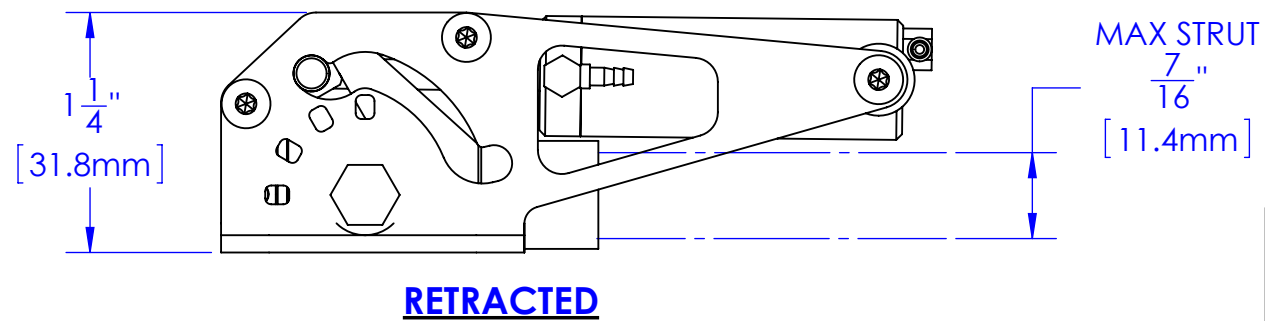
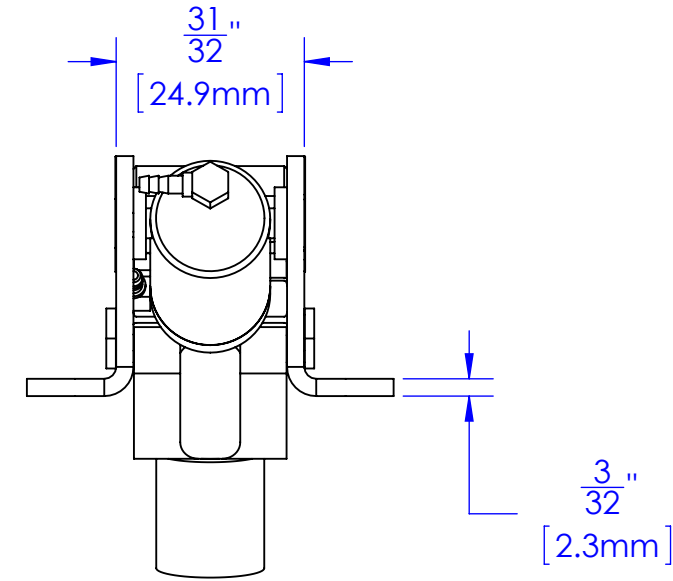
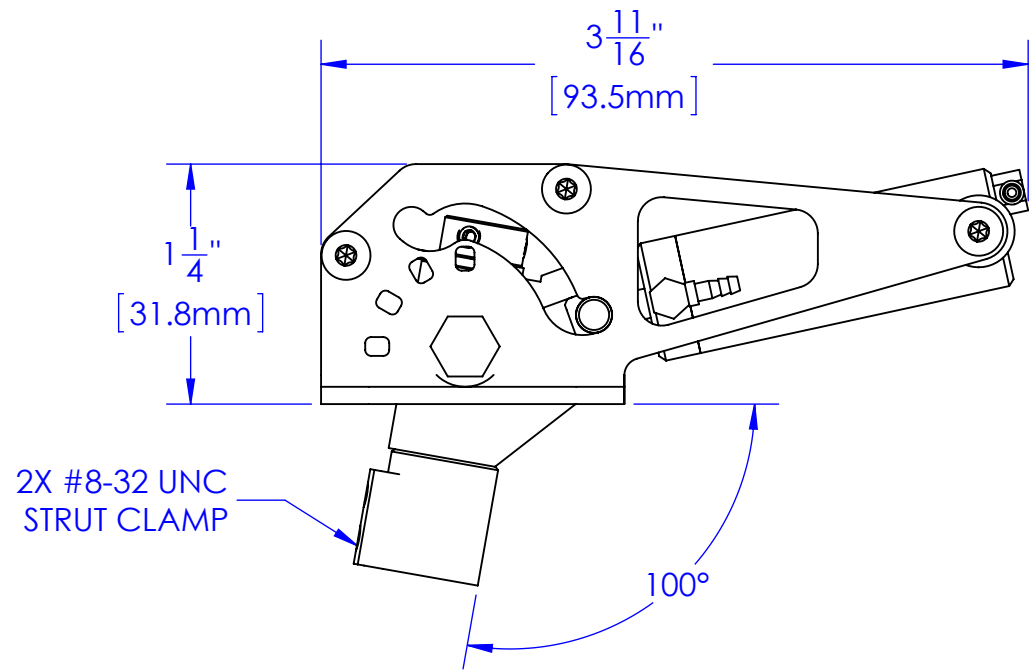
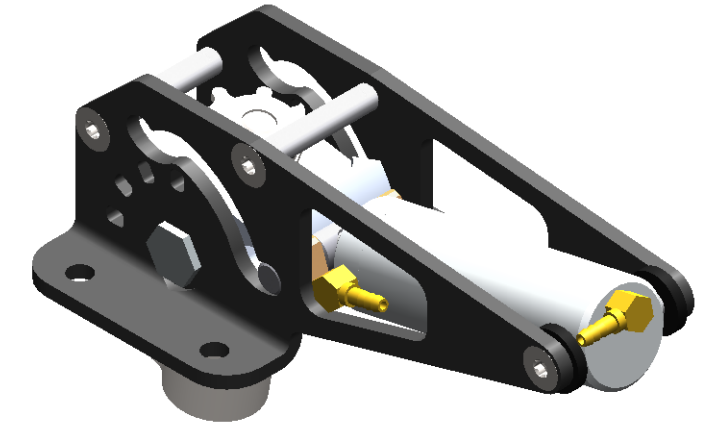
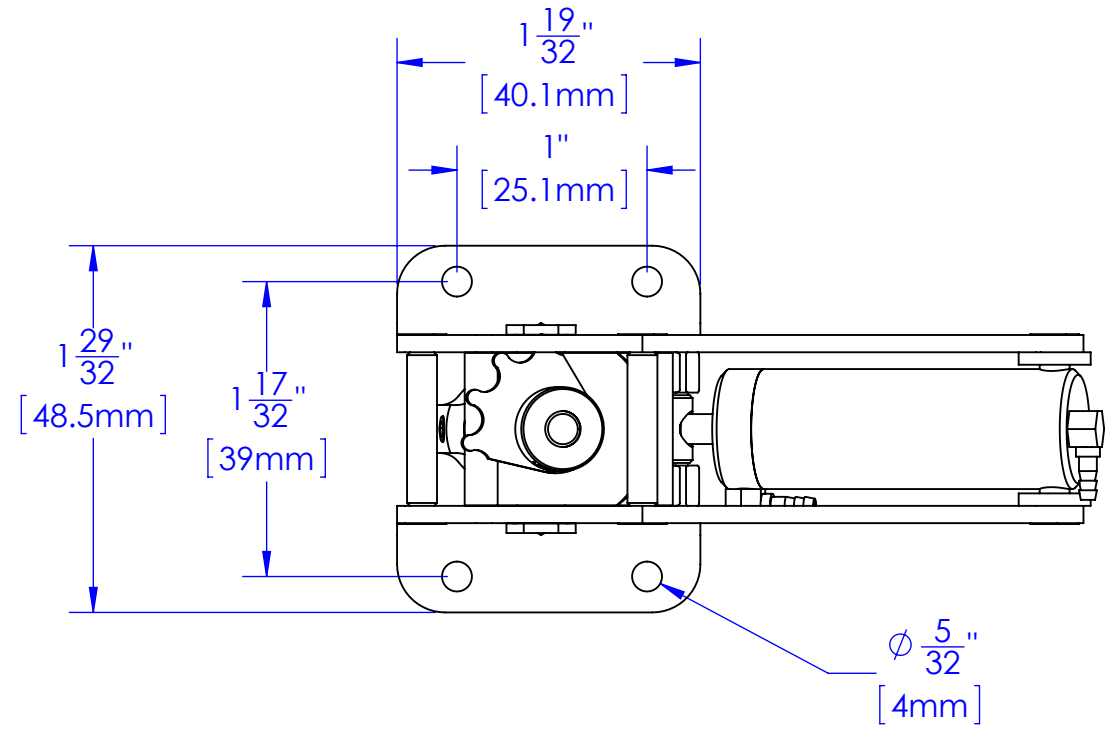


REVISIONS			
REV.	DESCRIPTION	DATE	APPROVED
-	PROTOTYPE RELEASE	23SEP13	JR



PROPRIETARY AND CONFIDENTIAL THE INFORMATION CONTAINED IN THIS DRAWING IS THE SOLE PROPERTY OF ROBART MANUFACTURING. ANY REPRODUCTION IN PART OR AS A WHOLE WITHOUT THE WRITTEN PERMISSION OF ROBART MANUFACTURING IS PROHIBITED.	UNLESS OTHERWISE SPECIFIED: DIMENSIONS ARE IN INCHES TOLERANCES: FRACTIONAL $\pm 1/32$ ANGULAR: MACH $\pm 1^\circ$ BEND $\pm 1^\circ$ TWO PLACE DECIMAL ± 0.01 THREE PLACE DECIMAL ± 0.005 FOUR PLACE DECIMAL ± 0.0005	DRAWN CHECKED MFG APPR. Q.A.	NAME J. REHAK	DATE 23SEP13	TITLE: DIMENSIONAL DETAIL 810 SERIES PNEUMATIC	
	SIZE B	DWG. NO. 810RS DIM	REV -	SCALE: 1:1	WEIGHT:	SHEET 1 OF 1