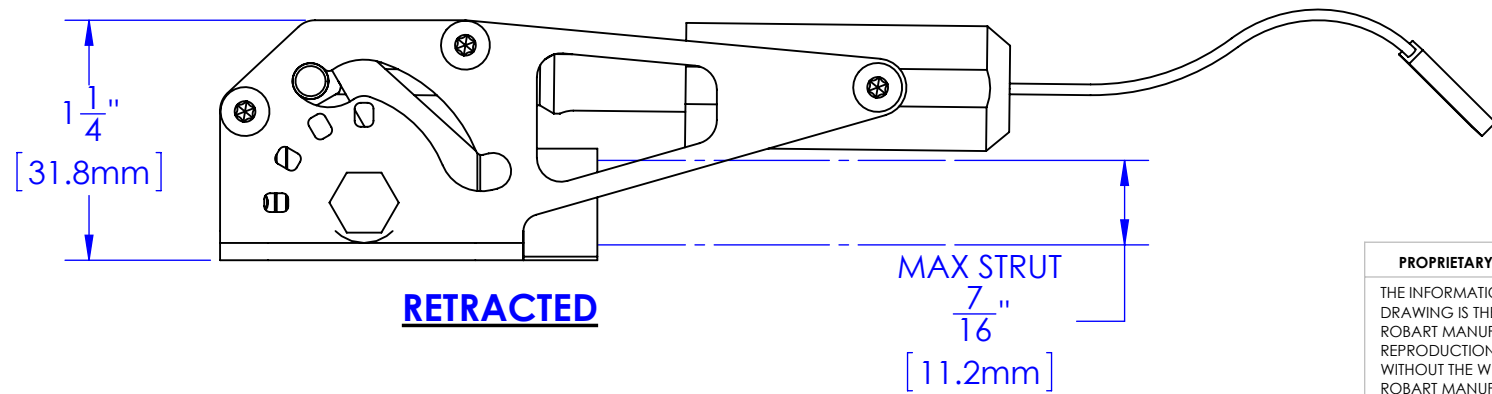
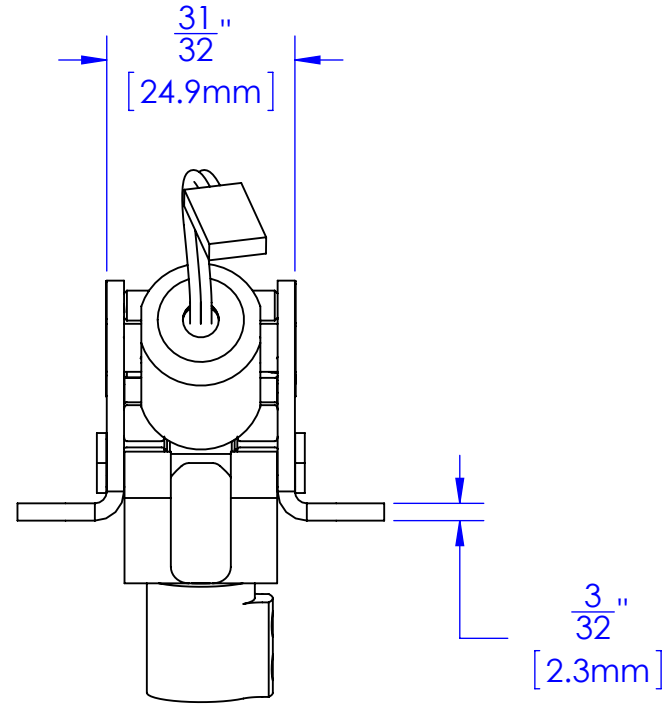
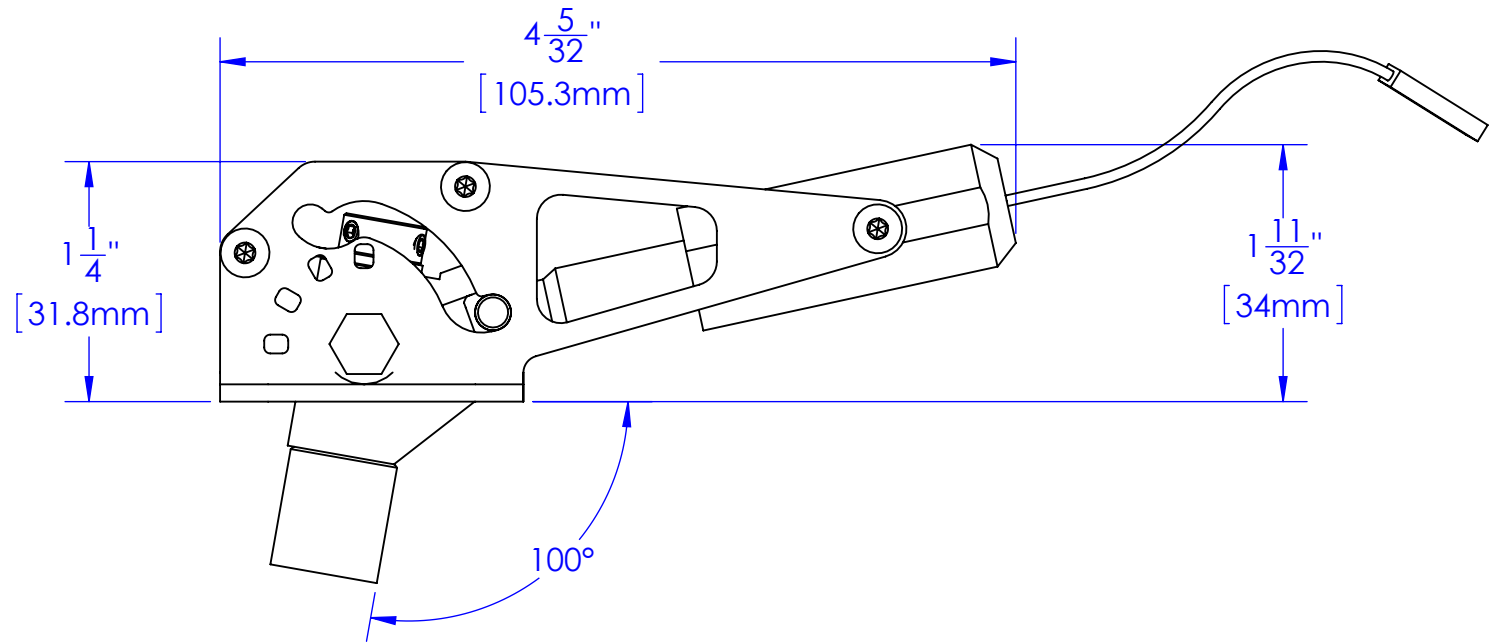
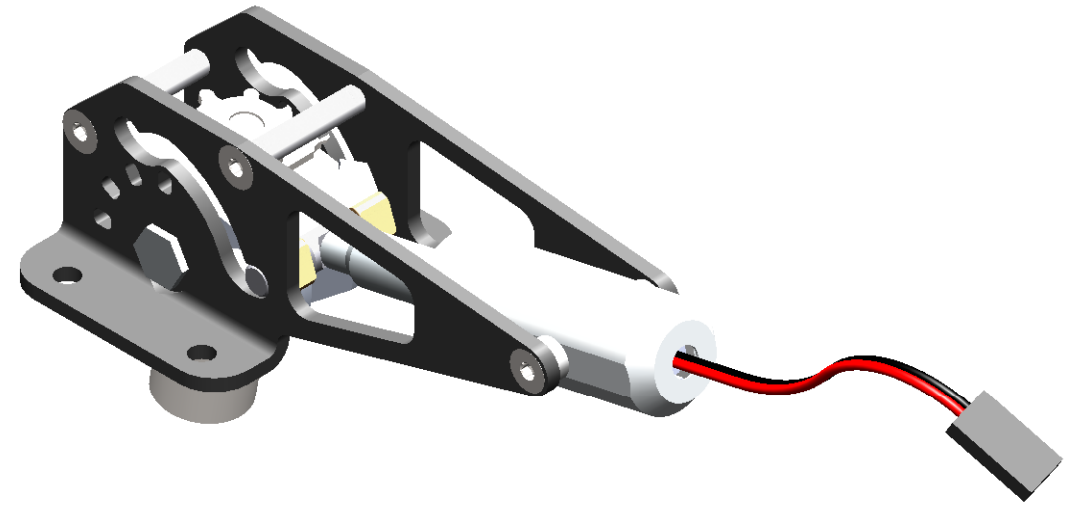
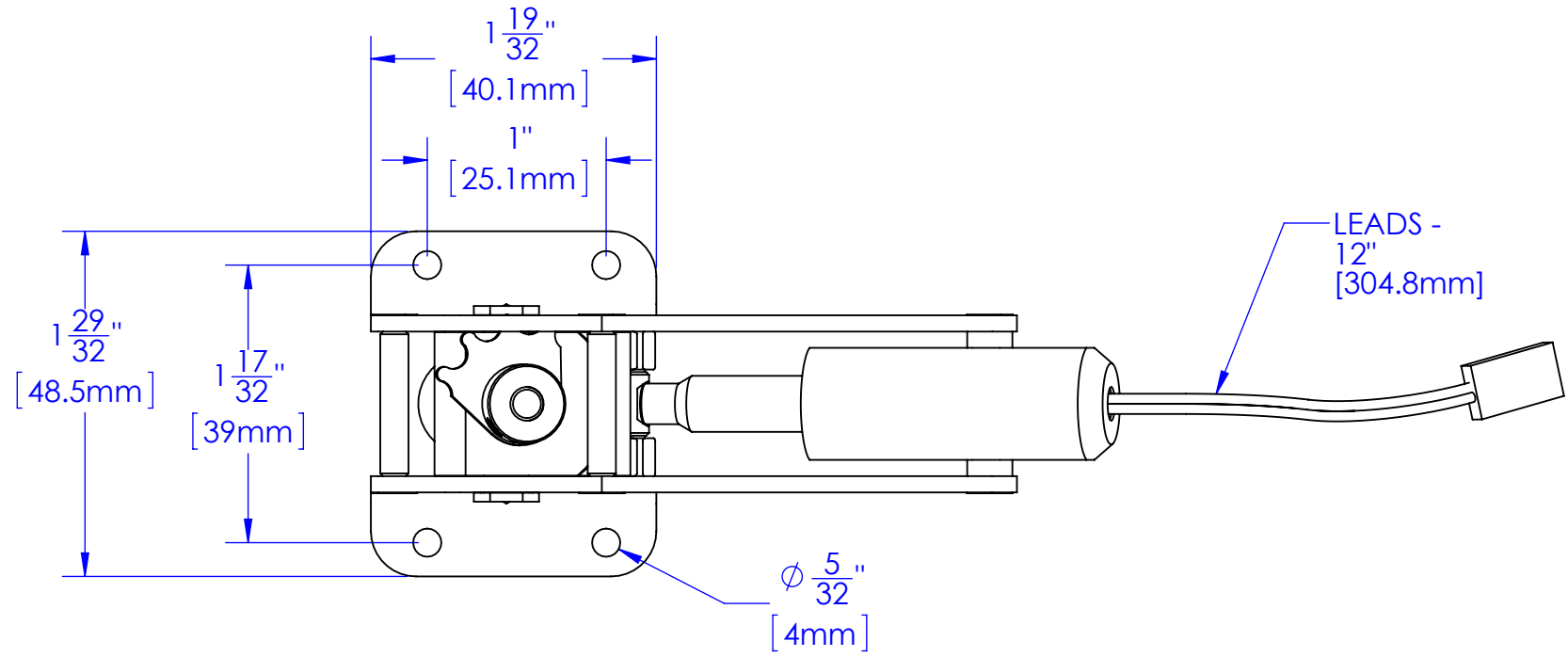


REVISIONS			
REV.	DESCRIPTION	DATE	APPROVED
-	PROTOTYPE RELEASE	23SEP13	JR



PROPRIETARY AND CONFIDENTIAL		UNLESS OTHERWISE SPECIFIED:		NAME	DATE	
THE INFORMATION CONTAINED IN THIS DRAWING IS THE SOLE PROPERTY OF ROBERT MANUFACTURING. ANY REPRODUCTION IN PART OR AS A WHOLE WITHOUT THE WRITTEN PERMISSION OF ROBERT MANUFACTURING IS PROHIBITED.		DIMENSIONS ARE IN INCHES		DRAWN	J. REHAK	
		TOLERANCES:		CHECKED	23SEP13	
		FRACTIONAL: $\pm 1/32$		MFG APPR.		
		ANGULAR: MACH $\pm 1^\circ$		Q.A.		
		TWO PLACE DECIMAL ± 0.01		SIZE	DWG. NO.	
		THREE PLACE DECIMAL ± 0.005		B	810RSE DIM	
		FOUR PLACE DECIMAL ± 0.0005		SCALE: 1:1	WEIGHT:	
				SHEET 1 OF 1		

ROBART MFG.		
TITLE: DIMENSIONAL DETAIL 810 SERIES ELECTRIC		
SIZE	DWG. NO.	REV
B	810RSE DIM	-
SCALE: 1:1	WEIGHT:	SHEET 1 OF 1