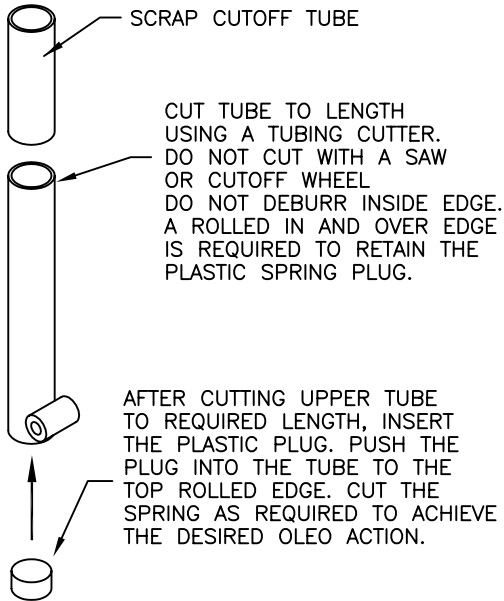
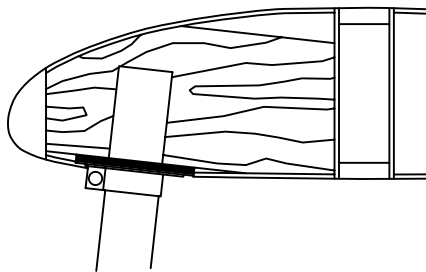


RoboStrut Series 625

FOR 5/8" DIA. SOCKET TYPE MOUNT



FOR FIXED GEAR MOUNT



IF YOU ARE USING THE STRUTS AS FIXED GEAR... FILL IN BETWEEN THE RIBS WHERE THE STRUT WILL BE LOCATED WITH A SOLID BLOCK OF BASS WOOD OR PINE. SAND THE BLOCK TO THE SHAPE OF THE RIBS AND SHEET THE WING. MAKE A CARDBOARD DRILLING TEMPLATE OF THE MOUNTING BLOCK AND MARK THE POSITION ON THE WING BOTTOM. DRILL A 5/8" DIA. HOLE INTO THE BLOCK AT THE REQUIRED ANGLE, DO NOT DRILL ALL THE WAY THROUGH THE BLOCK. CUT OUT THE Balsa SHEETING AROUND THE HOLE 1 1/2" SQUARE, AND IF REQUIRED GRIND THE BLOCK SURFACE PERPENDICULAR TO THE STRUT HOLE. EPOXY A 1 1/2" SQUARE PLYWOOD PLATE IN THE RECESS. MAKE SURE THE PLYWOOD PLATE HAS A 5/8" DIA. HOLE IN THE CENTER. SLIP THE MOUNTING PLATE ONTO THE STRUT. INSERT THE STRUT INTO THE BLOCK. FASTEN THE MOUNTING PLATE WITH 4 #6 x 3/4" SOCKET HEAD WOOD SCREWS. ADJUST THE TOE-IN / TOE-OUT AND TIGHTEN THE CLAMP SCREW.

SPARE PARTS LIST

QTY	ITEM	DESCRIPTION	ASS'Y/PART #
*	1	UPPER STRUT TUBE	145-223A
*	1	OFFSET OLEO RAM	SEE BELOW
*	1	TORQUE LINK	150-107A
	2	CLEVIS PIN	150-002M
*	2	RETAINING RING	1039F
	1	STRAIGHT OLEO RAM	151-106A
*	1	AXLE BAG ASSEMBLY	680-142A
	1	SPRING	151-019P
*	1	MOUNTING PLATE ASSEM.	PT19-103A
	1	YOKE AXLE BAG ASSEMBLY	684-142A

* = RECOMMENDED SPARE PART

AXLE BAGS INCLUDE: AXLE, SCREWS, RETAINING RING, AND STRUT PLUG

STRUT STYLE	DIM A	ITEM 2 PART NO.
681 R	2 3/4 [69.85]	145-125A
681 L	2 3/4 [69.85]	145-124A
682 R	3 1/8 [79.38]	145-225A
682 L	3 1/8 [79.38]	145-224A
684	2 3/4 [69.85]	BGB-104A

