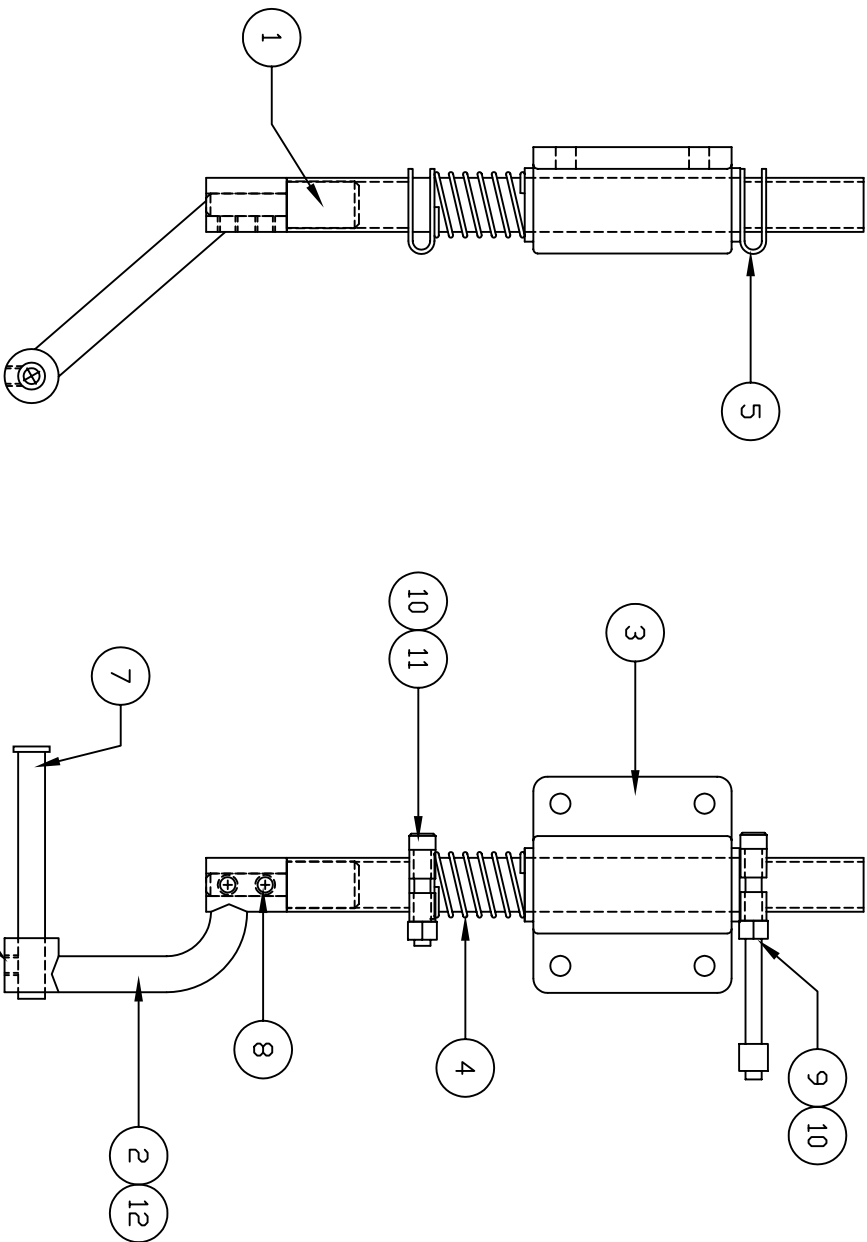
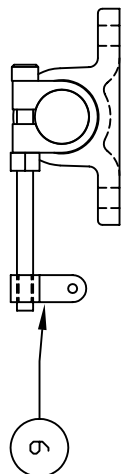


** THIS IS YOUR SPARE PARTS LIST. SAVE FOR FUTURE REFERENCE, ORDER BY PART NUMBER. CURRENT PRICES WILL BE QUOTED.**



SPARE PARTS LIST

QTY	ITEM	DESCRIPTION	ASS'Y/PART #
1	1	STRUT ASSEMBLY	657-203A
1	2	TAIL WHEEL OFFSET (RH)	160-401A
1	3	MOUNTING BLDCK	654-001M
1	4	SPRING	657-003M
2	5	STRUT CLAMP	654-003M
1	6	STEERING CLEVIS ARM	654-007P
1	7	AXLE	650-010M
3	8	SET SCREW #6-32 x 1/8	1060F
1	9	#4-40 X 1 1/2"SS SHCS	654-006M
2	10	#4-40 LOCK NUT	1049F
1	11	#4-40 X 5/8"SS SHCS	1109F
1	12	TAIL WHEEL OFFSET (LH)	160-501A
	13		

906-178M

FACTORY REPAIR FEE= \$25.00 PLUS PARTS

CHK'D BY		MFG. INC.
DRAWN BY	J. REHAK	625 N. 12TH ST.
DATE	8-9-02	ST. CHARLES, IL
MODEL No.	657 R/L	(630)584-7616
TITLE		robot
OFFSET FIXED		www.robot.com
TAIL WHEEL ASS'Y		