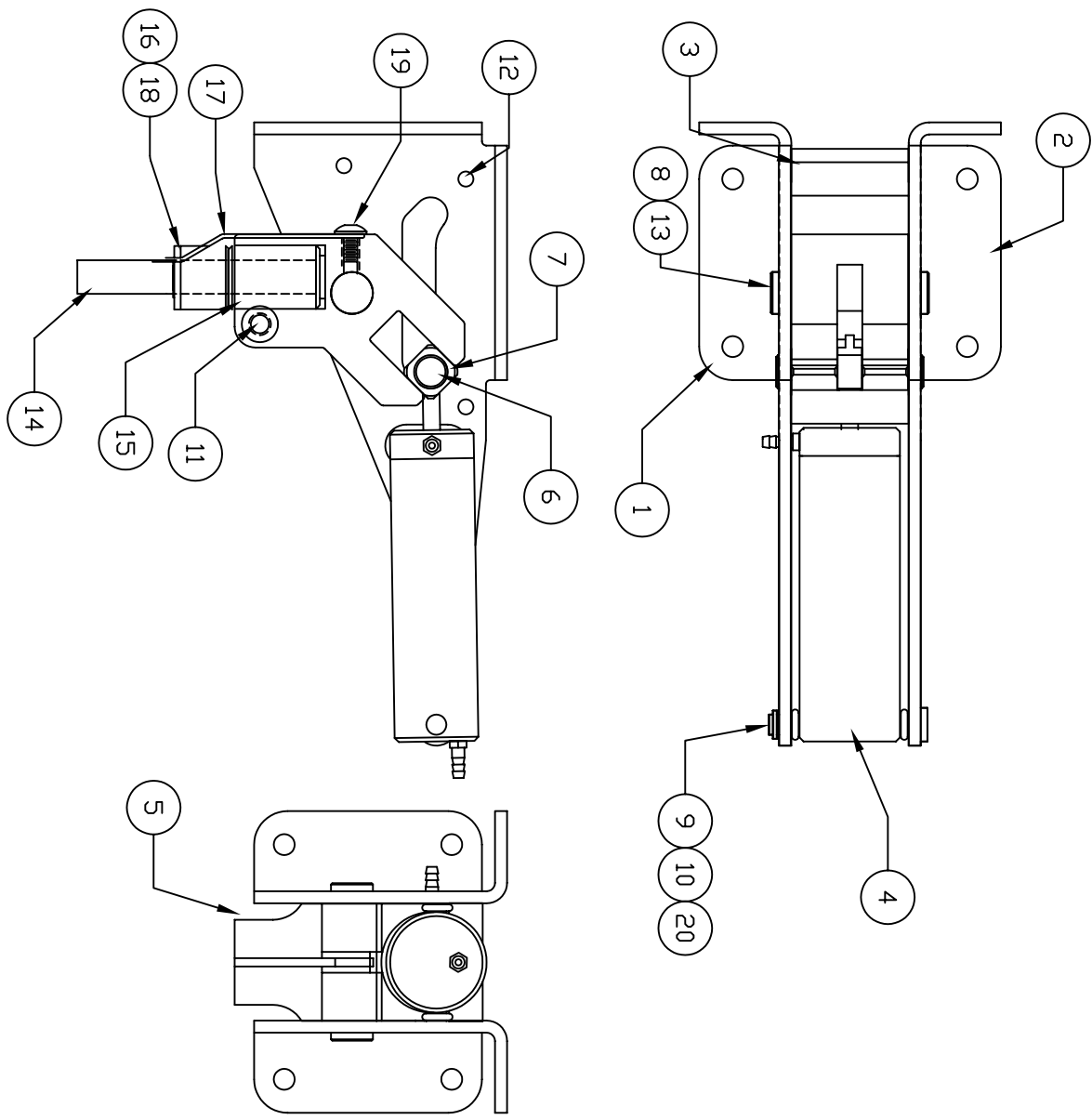


\*\* THIS IS YOUR SPARE PARTS LIST. SAVE FOR FUTURE REFERENCE, ORDER BY PART NUMBER. CURRENT PRICES WILL BE QUOTED.\*\*



## SPARE PARTS LIST

QTY	ITEM NOTE	DESCRIPTION	ASS'Y/PART #
1	1	SIDE FRAME (LH)	630-219M
1	2	SIDE FRAME (RH)	630-220M
3	3	FRAME SPACER	635-008M
1	4	CYLINDER ASSEMBLY	635-108A
1	5	TRUNION	635-002M
1	6	CAM PIN	635-006M
2	7	CAM FOLLOWER	635-007M
1	8	TRUNION PIN	635-010M
1	9	CLEVIS PIN	635-009M
2	10	RETAINING RING	1039F
1	11	CLAMP SCREW	1110F
6	12	#4-40 x 1/4" PPHMS	1047F
2	13	TRUNION PIN RETAINING RING	1132F
1	14	PIVOT PIN (AXLE)	145-133M
1	15	STEERING SHAFT BEARING	WB25-211M
1	16	STEERING ARM ASSEMBLY	WB25-204A
1	17	STEERING SPRING	630-021M
1	18	#8-32 x 3/16 KCPSS	1198F
1	19	#8-32 x 1/4 BHCS	1133F
2	20	D-RING	204-006P

906-276M  
FACTORY REPAIR FEE= \$25.00 PLUS PARTS

CHK'D BY		MFG. INC.
DRAWN BY	J. REHAK	625 N. 12TH ST.
DATE	9/05	ST. CHARLES, IL
MODEL No.	643HDRS	(630)584-7616
TITLE	90°HD ROBOSTRUT READY NOSE GEAR BELLY / FIREWALL MOUNT MECHANISM	
	www.robart.com	