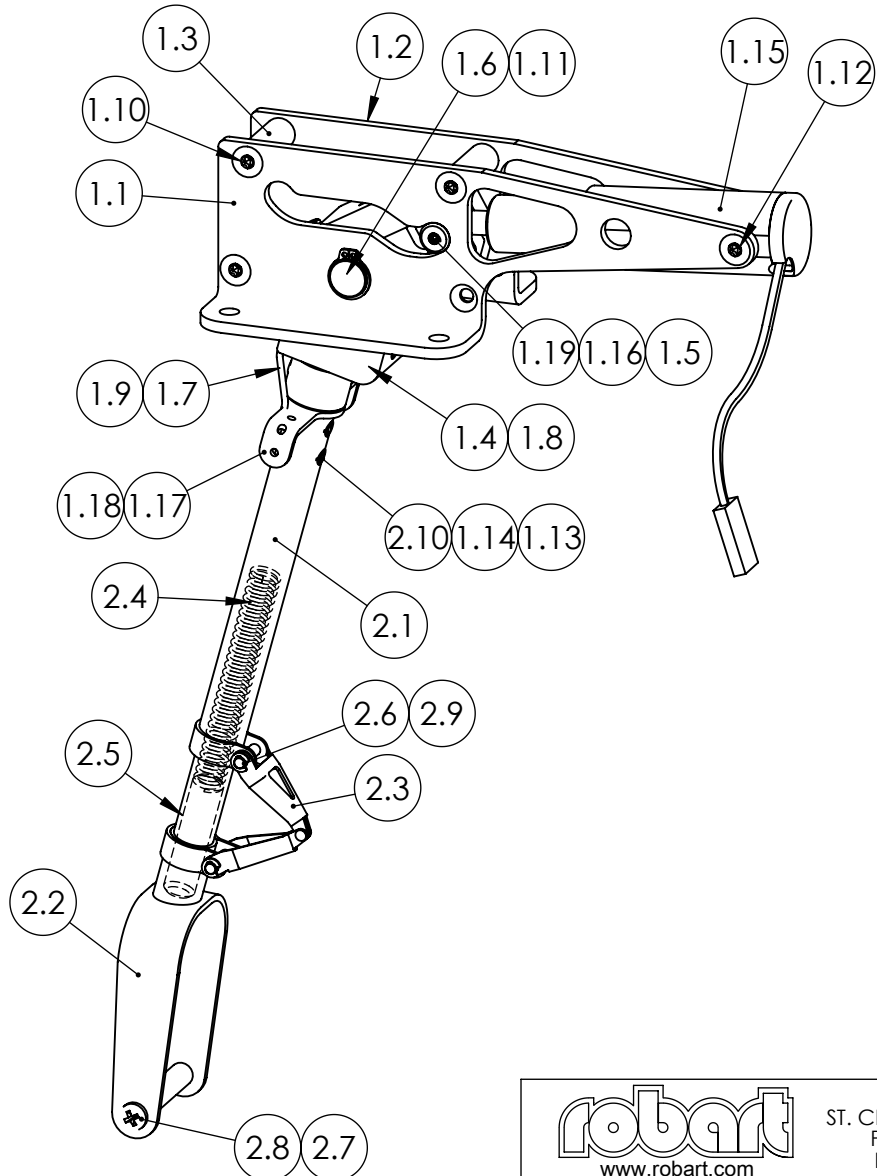


SPARE PARTS LIST

QTY.	ITEM NO.	DESCRIPTION	PART NUMBER
1	1	105° RETRACT ASSEMBLY	P39E210A
1	1.1	105 DEG FRAME - LH	630017M
1	1.2	105 DEG FRAME - RH	630018M
3	1.3	FRAME SPACER	630005M
1	1.4	MAIN GEAR TRUNION	630003M
2	1.5	CAM FOLLOWER	630E-211M
1	1.6	TRUNION PIN	630333M
1	1.7	STEERING WIRE	630021M
2	1.8	#10-32 X 5/16" SET SCREW	1077F
1	1.9	#8-32 X 1/4" BHSMS	1133F
6	1.10	4-40 X 5/16 TORX FMS ZINC	1065F
1	1.11	PIVOT PIN RETAINING RING	1132F
2	1.12	4-40 X 3/16 TORX FMS ZINC	1265F
1	1.13	STEERING BUSHING	630025M
1	1.14	AXLE PIN	650010M
1	1.15	PURCHASED ACTUATOR	630E-202P
1	1.16	CAM PIN	630E-212M
1	1.17	STEERING ARM ASSEMBLY	630108A
1	1.18	#8-32 X 3/16" SET SCREW	1198F
1	1.19	#4-40 SET SCREW	1010F
1	2	STRUT ASSEMBLY	P39201A
1	2.1	UPPER STRUT WELDMENT	P39202A
1	2.2	OLEO RAM WELDMENT	P39203A
1	2.3	TORQUE LINK ASSEMBLY	650003A
1	2.4	COMPRESSION SPRING	650038P
1	2.5	WOOD PLUG	650004M
2	2.6	CLEVIS PIN	650014M
1	2.7	AXLE	160020M
2	2.8	#4-40 X 1/4" BHMS	1047F
2	2.9	E CLIP	1062F
2	2.10	#8-32 X 3/16" SET SCREW	1198F



906403M

PROPRIETARY AND CONFIDENTIAL			
THE INFORMATION CONTAINED IN THIS DRAWING IS THE SOLE PROPERTY OF ROBART MANUFACTURING. ANY REPRODUCTION IN PART OR AS A WHOLE WITHOUT THE WRITTEN PERMISSION OF ROBART MANUFACTURING IS PROHIBITED.			
	NAME	DATE	
DRAWN	J.REHAK	09FEB13	
CHECKED			



www.robart.com

625 N. 12TH ST.
ST. CHARLES, IL 60174
PH: 630-584-7616
FX: 630-584-3712

TITLE: TOP FLITE P-39
NOSE GEAR
SPARE PARTS LIST

640P39ESP

REV -