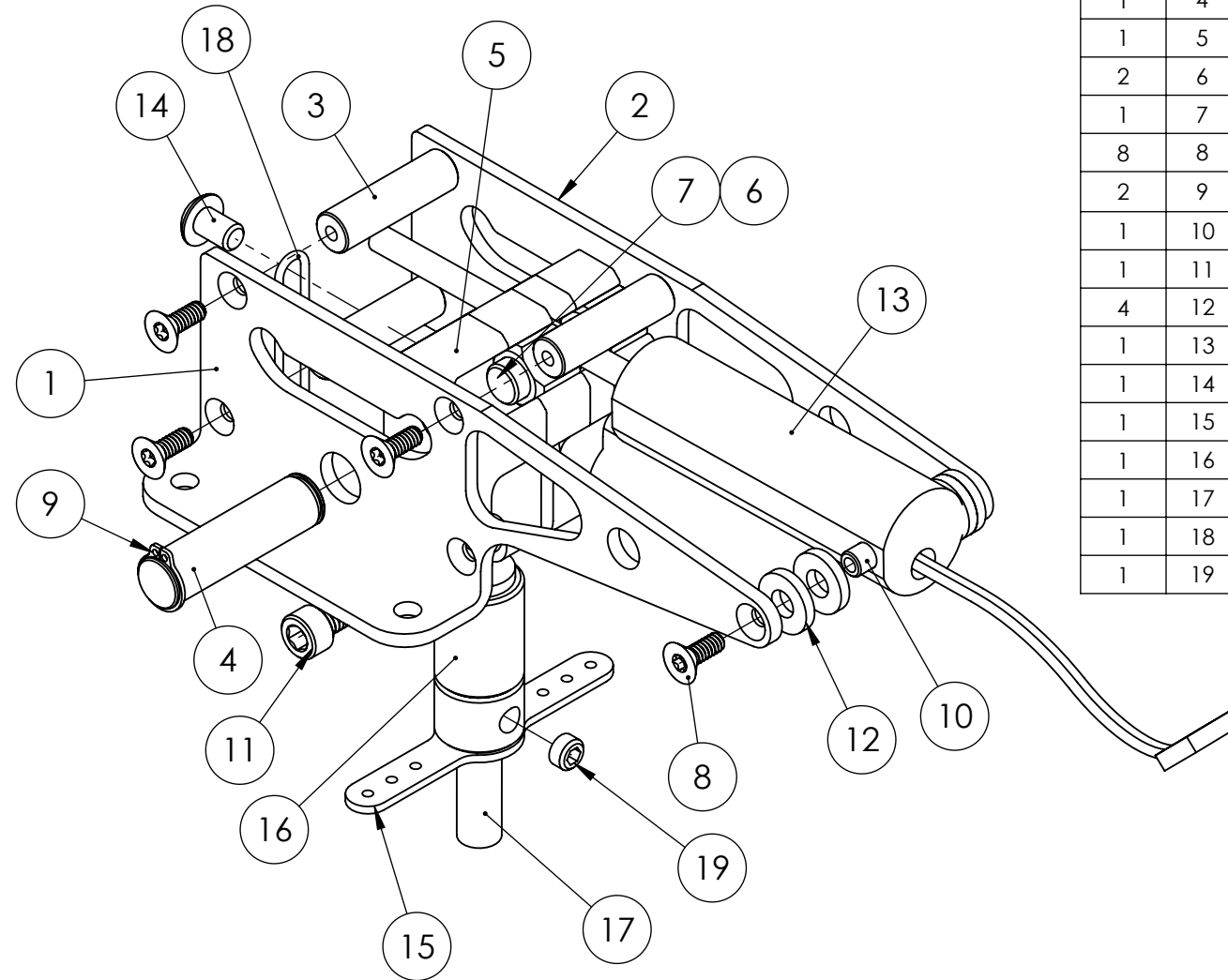


NOTE: CONTROL BOX SHOULD BE SET TO "TYPE 1"
FOR PROPER OPERATION



SPARE PARTS LIST

QTY.	ITEM NO.	DESCRIPTION	PART NUMBER
1	1	90 DEG FRAME (LH)	630001M
1	2	90 DEG FRAME (RH)	630002M
3	3	FRAME SPACER	635008M
1	4	TRUNION PIN	635010M
1	5	MAIN GEAR TRUNION	635002M
2	6	CAM FOLLOWER	635007M
1	7	ACTUATOR CAM PIN	635E-006M
8	8	4-40 X 5/16 TORX FMS ZINC	1065F
2	9	PIVOT PIN RETAINING RING	1132F
1	10	5/32 FRAME SPACER	635021M
1	11	#8-32 X 3/8" SHCS	1110F
4	12	NYLON SPACER - BLACK	1203F
1	13	ELECTRIC ACTUATOR	630E-102P
1	14	#8-32 X 1/4" BHSMS	1133F
1	15	STEERING ARM	WB25204A
1	16	STEERING BUSHING	WB25211M
1	17	STEERING PIN	145133M
1	18	STEERING WIRE	630021M
1	19	#10-32 X 3/16 SET SCREW	1145F

906-401M

PROPRIETARY AND CONFIDENTIAL
THE INFORMATION CONTAINED IN THIS DRAWING IS THE SOLE
PROPERTY OF ROBERT MANUFACTURING. ANY REPRODUCTION
IN PART OR AS A WHOLE WITHOUT THE WRITTEN PERMISSION OF
ROBERT MANUFACTURING IS PROHIBITED.

	NAME	DATE
DRAWN	J.REHAK	21JAN13
CHECKED		

robert
www.robert.com

625 N. 12TH ST.
ST. CHARLES, IL 60174
PH: 630-584-7616
FX: 630-584-3712

TITLE:

**90° HD NOSE RETRACT
ELECTRIC SERIES**

638HDRSESP

REV -