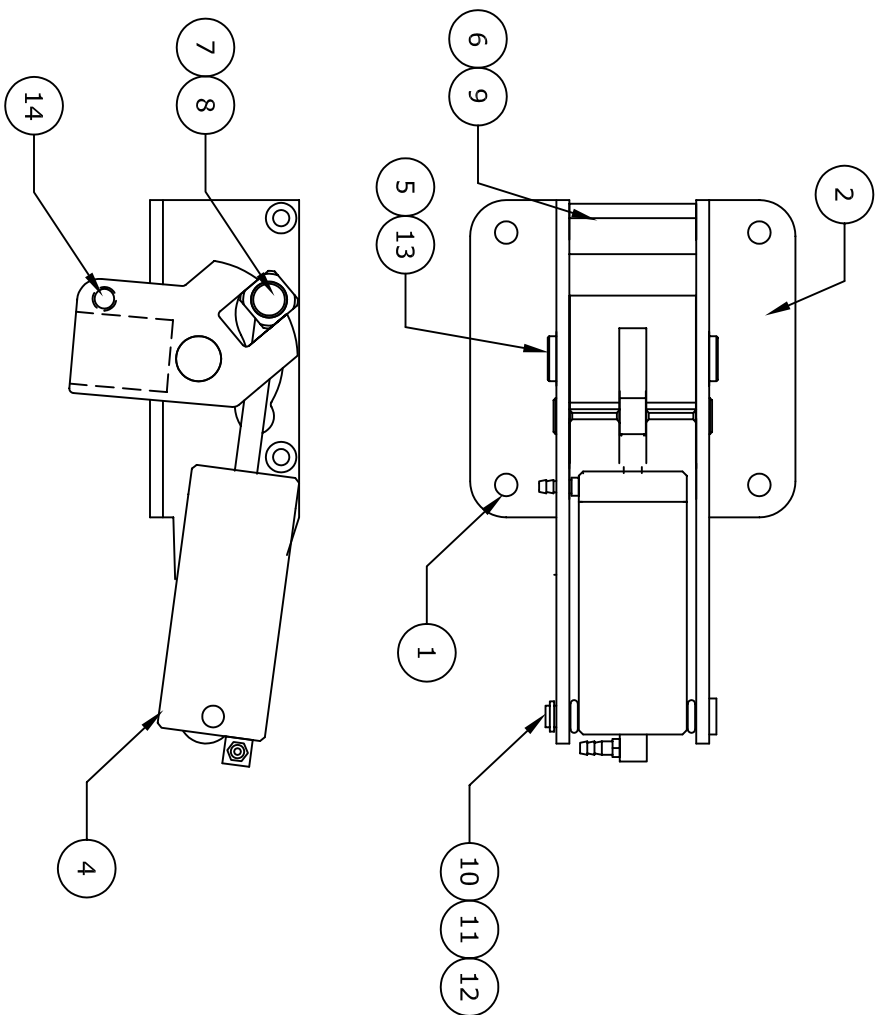



** THIS IS YOUR SPARE PARTS LIST. SAVE FOR FUTURE REFERENCE, ORDER BY PART NUMBER. CURRENT PRICES WILL BE QUOTED.**

SPARE PARTS LIST

QTY	ITEM NOTE	DESCRIPTION	ASSY/PART #
1	1	SIDE FRAME- LEFT HAND BEND	636LP-001M
1	2	SIDE FRAME- RIGHT HAND BEND	636LP-002M
1	3	TRUNION	635LP-003M
1	4	CYLINDER ASSEMBLY	635LP-108A
1	5	PIVOT PIN	635-010M
2	6	FRAME SPACER	635-008M
2	7	CAM FOLLOWER	635-007M
1	8	CAM PIN	635-006M
4	9	#4-40 FHTD SCREW	1065F
1	10	CLEVIS PIN	635-009M
2	11	RETAINING RING- CLEVIS PIN	1039F
2	12	O-RING SPACER	204-006P
2	13	RETAINING RING- PIVOT PIN	1132F
1	14	CLAMP SCREW- #8-32 x 5/8"	1073F



906-271M
FACTORY REPAIR FEE= \$25.00 PLUS PARTS

CHK'D BY		 MFG. INC. 625 N. 12TH ST. ST. CHARLES, IL (630)584-7616
DRAWN BY	J. REHAK	
DATE	9/05	TITLE
MODEL No.	636RSLP	85° HEAVY DUTY LOW PROFILE ROBOSTRUT READY MECHANISM