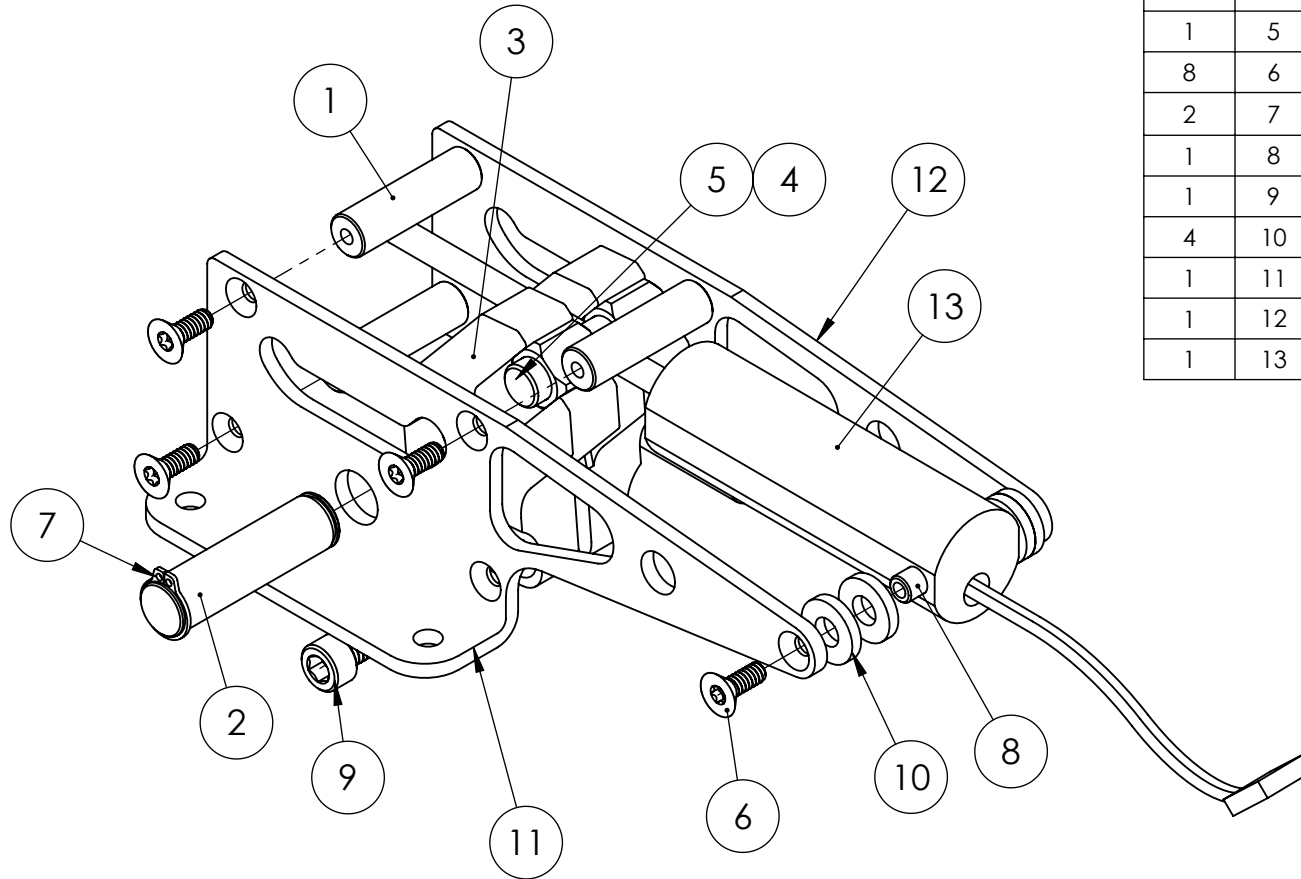


NOTE: CONTROL BOX SHOULD BE SET TO "TYPE 1"
FOR PROPER OPERATION

SPARE PARTS LIST

QTY.	ITEM NO.	DESCRIPTION	PART NUMBER
3	1	FRAME SPACER	635008M
1	2	TRUNION PIN	635010M
1	3	MAIN GEAR TRUNION	635002M
2	4	CAM FOLLOWER	635007M
1	5	ACTUATOR CAM PIN	635E-006M
8	6	4-40 X 5/16 TORX FMS ZINC	1065F
2	7	TRUNION PIN RETAINING RING	1132F
1	8	5/32 FRAME SPACER	635021M
1	9	#8-32 X 3/8" SHCS	1110F
4	10	NYLON SPACER - BLACK	1203F
1	11	85 DEG FRAME - LH	630019M
1	12	85 DEG FRAME - RH	630020M
1	13	ELECTRIC ACTUATOR	630E-102P



906-429M

PROPRIETARY AND CONFIDENTIAL
THE INFORMATION CONTAINED IN THIS DRAWING IS THE SOLE PROPERTY OF ROBART MANUFACTURING. ANY REPRODUCTION IN PART OR AS A WHOLE WITHOUT THE WRITTEN PERMISSION OF ROBART MANUFACTURING IS PROHIBITED.

	NAME	DATE
DRAWN	J.REHAK	17JUN13
CHECKED		

robart
www.robart.com
625 N. 12TH ST.
ST. CHARLES, IL 60174
PH: 630-584-7616
FX: 630-584-3712

TITLE:
**85° HD MAIN RETRACT
ELECTRIC SERIES**
636RSESP REV -