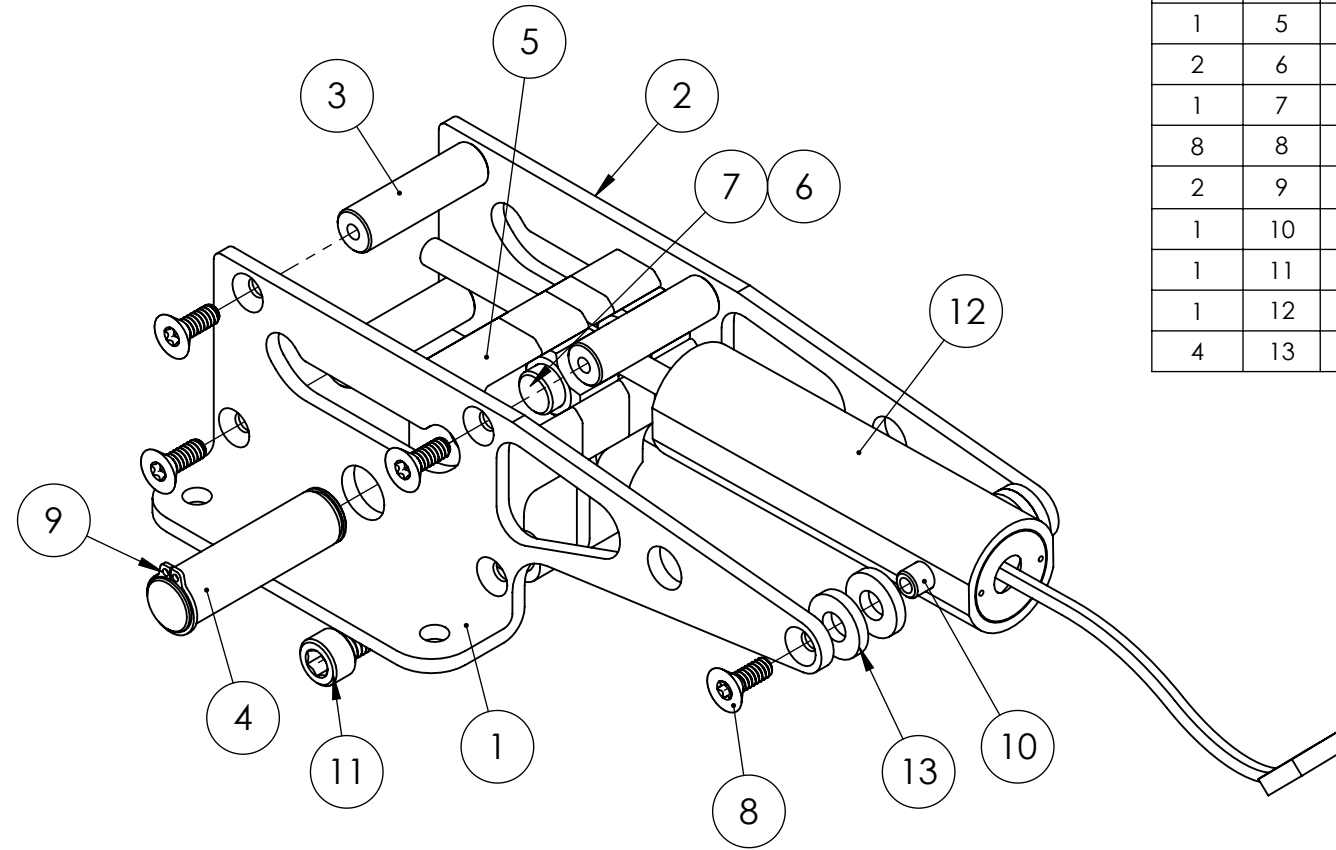


NOTE: CONTROL BOX SHOULD BE SET TO "TYPE 1"
FOR PROPER OPERATION



SPARE PARTS LIST

QTY.	ITEM NO.	DESCRIPTION	PART NUMBER
1	1	90 DEG FRAME (LH)	630001M
1	2	90 DEG FRAME (RH)	630002M
3	3	FRAME SPACER	635008M
1	4	TRUNION PIN	635010M
1	5	MAIN GEAR TRUNION	635002M
2	6	CAM FOLLOWER	635007M
1	7	ACTUATOR CAM PIN	635E-006M
8	8	4-40 X 5/16 TORX FMS ZINC	1065F
2	9	TRUNION PIN RETAINING RING	1132F
1	10	5/32 FRAME SPACER	635021M
1	11	#8-32 X 3/8" SHCS	1110F
1	12	ELECTRIC ACTUATOR	630E-102P
4	13	NYLON SPACER - BLACK	1203F

906-382M

PROPRIETARY AND CONFIDENTIAL
THE INFORMATION CONTAINED IN THIS DRAWING IS THE SOLE PROPERTY OF ROBART MANUFACTURING. ANY REPRODUCTION IN PART OR AS A WHOLE WITHOUT THE WRITTEN PERMISSION OF ROBART MANUFACTURING IS PROHIBITED.

	NAME	DATE
DRAWN	J.REHAK	04OCT12
CHECKED		



625 N. 12TH ST.
ST. CHARLES, IL 60174
PH: 630-584-7616
FX: 630-584-3712

TITLE:

90° HD MAIN RETRACT
ELECTRIC SERIES

635RSESP

REV -