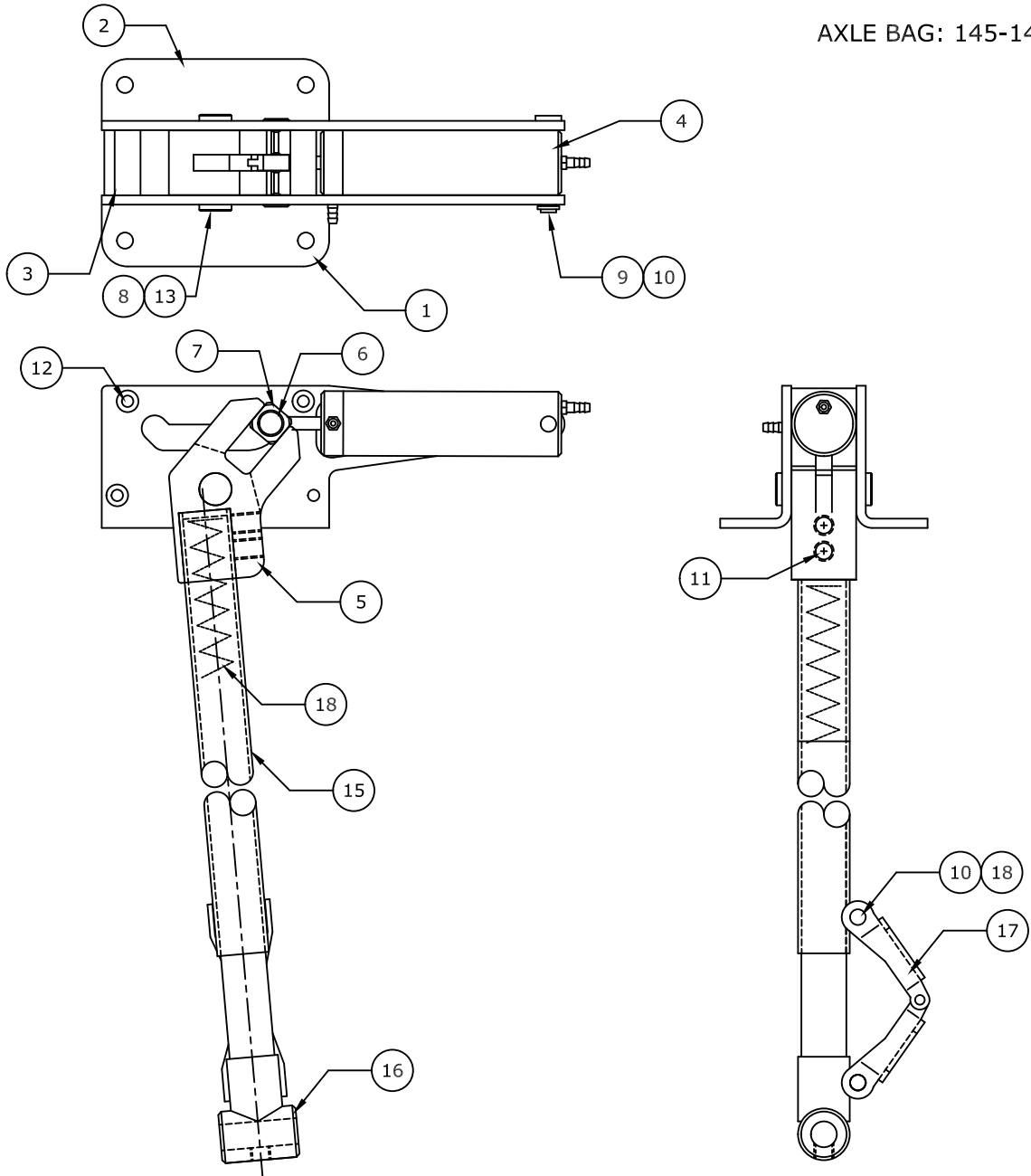


** THIS IS YOUR SPARE PARTS LIST. SAVE FOR FUTURE REFERENCE, ORDER BY PART NUMBER. CURRENT PRICES WILL BE QUOTED.**




SPARE PARTS LIST

QTY	ITEM	NOTE	DESCRIPTION	ASS'Y/PART #
1	1		SIDE FRAME (LH)	630-019M
1	2		SIDE FRAME (RH)	630-020M
3	3		FRAME SPACER	630-005M
1	4		CYLINDER ASSEMBLY	630-102A
1	5		TRUNION	630-003M
1	6		CAM PIN	630-012M
2	7		CAM FOLLOWER	630-011M
1	8		TRUNION PIN	630-333M
1	9		CLEVIS PIN	150-012M
3	10		RETAINING RING	1039F
2	11		#10-32 SET SCREW	.1077F
6	12		#4-40 x 1/4" PPHMS	1047F
2	13		TRUNION PIN RETAINING RING	1132F
1	14		CLEVIS PIN	150-012M
1	15		UPPER STRUT WELDMENT	HA9P51-104A
1	16		OLEO RAM WELDMENT	622-125A
1	17		TORQUE LINK ASSEMBLY	620-112A
1	18		COMPRESSION SPRING	150-019P
2	18		CLEVIS PIN	620-012M

906-349M

FACTORY REPAIR FEE= \$25.00 PLUS PARTS

CHK'D BY	 www.robart.com	MFG. INC. 625 N. 12TH ST. ST. CHARLES, IL (630)584-7616
DRAWN BY J. REHAK		
DATE 04MAY12	TITLE	HANGAR 9 P-51 MAIN GEAR SPARE PARTS
MODEL No. 631HA9P51		