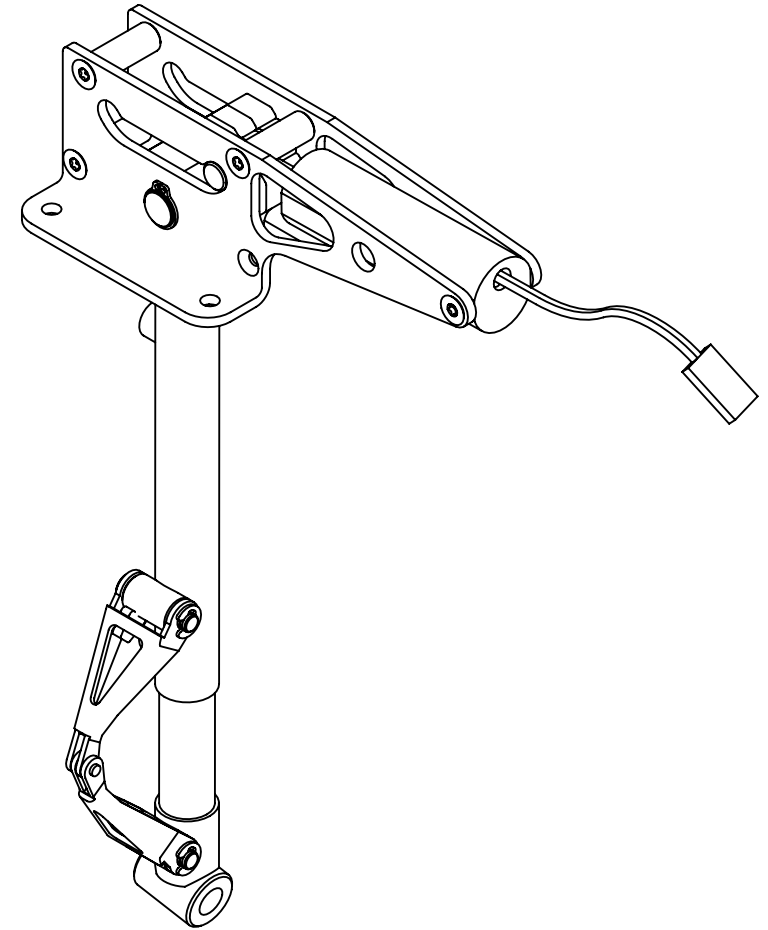
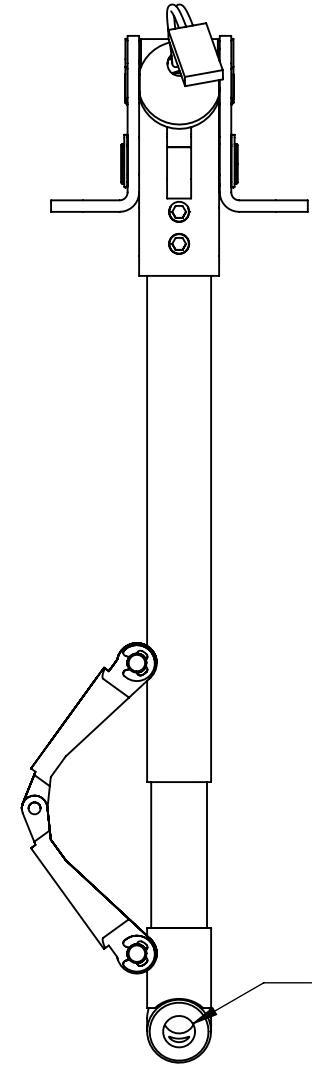
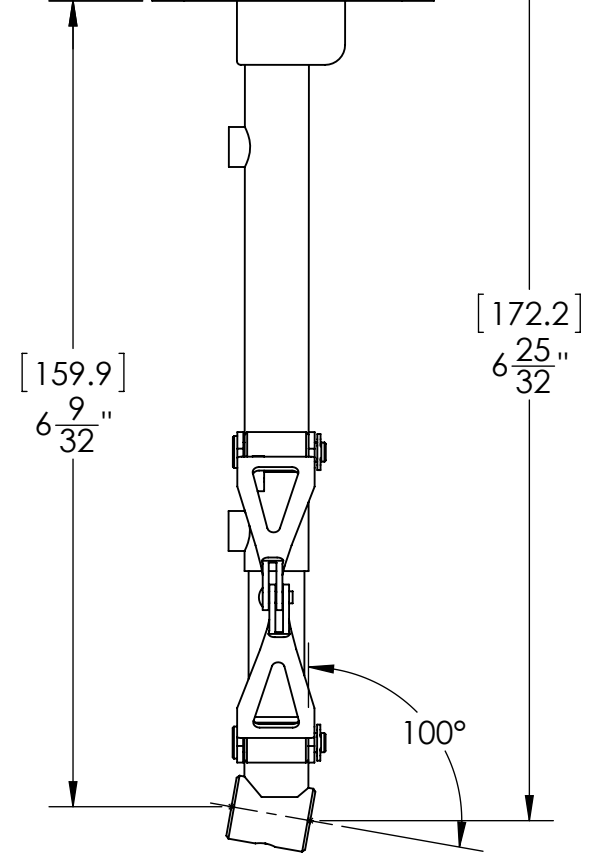
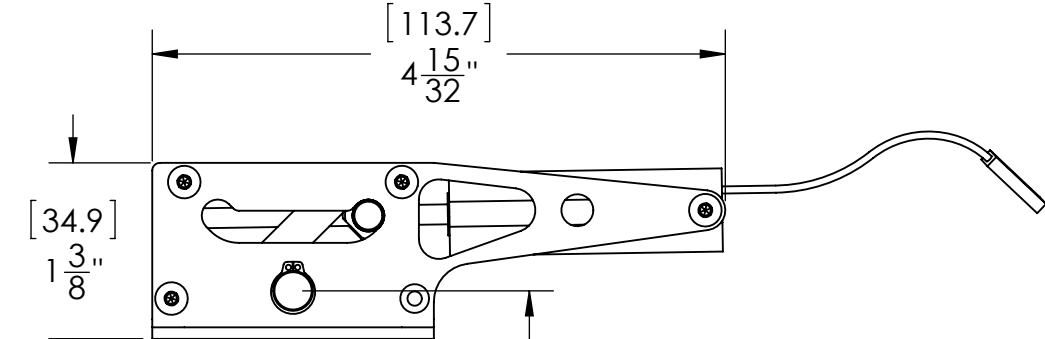
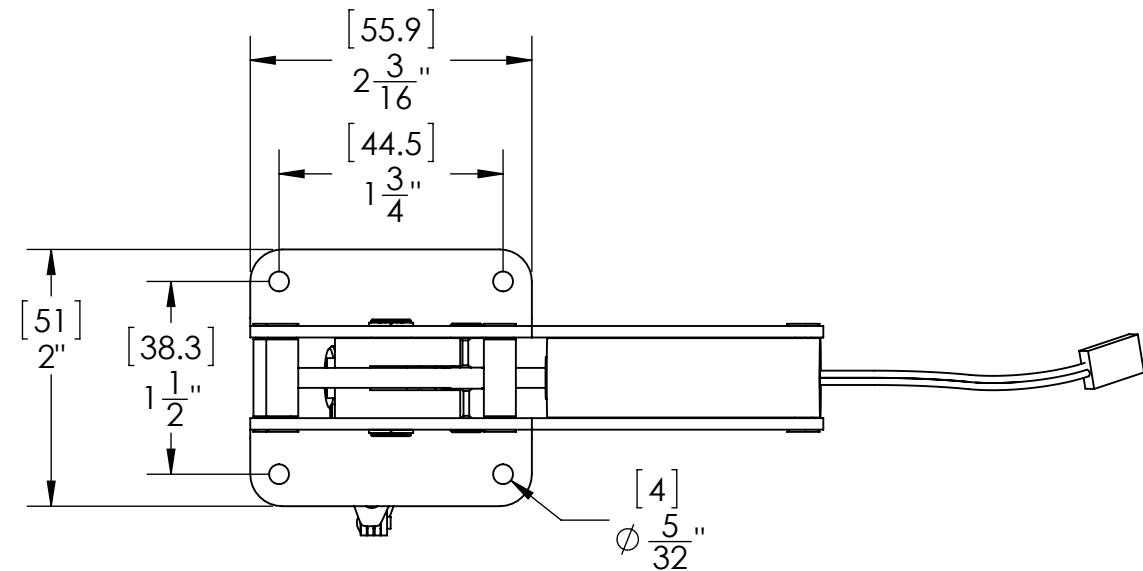


| REVISIONS | | | |
|-----------|--------------------|---------|----------|
| REV. | DESCRIPTION | DATE | APPROVED |
| - | PRODUCTION RELEASE | 11SEP13 | JR |



ROBART MFG.

TITLE:
**630PSPF-E MAIN GEAR
DIMENSIONAL DETAIL**

| | | |
|------------------|----------------------------------|-----------------|
| SIZE B | DWG. NO. 630PSPF-E DIM | REV - |
| SCALE: 1:1.5 | WEIGHT: | SHEET 1 OF 1 |

| | | | | | |
|---|-----------------------------|--|------|-----------|----------|
| PROPRIETARY AND CONFIDENTIAL THE INFORMATION CONTAINED IN THIS DRAWING IS THE SOLE PROPERTY OF ROBART MANUFACTURING. ANY REPRODUCTION IN PART OR AS A WHOLE WITHOUT THE WRITTEN PERMISSION OF ROBART MANUFACTURING IS PROHIBITED. | UNLESS OTHERWISE SPECIFIED: | | | NAME | DATE |
| | DIMENSIONS ARE IN INCHES | | | DRAWN | J. REHAK |
| | TOLERANCES: | | | CHECKED | 11SEP13 |
| | FRACTIONAL ± 1/32 | | | MFG APPR. | |
| ANGULAR: MACH ± 1° BEND ± 1° | | | Q.A. | | |
| TWO PLACE DECIMAL ± 0.01 | | | | | |
| THREE PLACE DECIMAL ± 0.005 | | | | | |
| FOUR PLACE DECIMAL ± 0.0005 | | | | | |