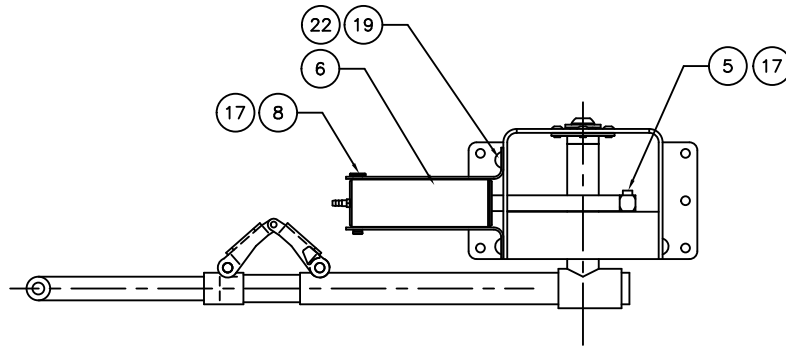


** THIS IS YOUR SPARE PARTS LIST. SAVE FOR FUTURE REFERENCE, ORDER BY PART NUMBER. CURRENT PRICES WILL BE QUOTED.**

SPARE PARTS LIST

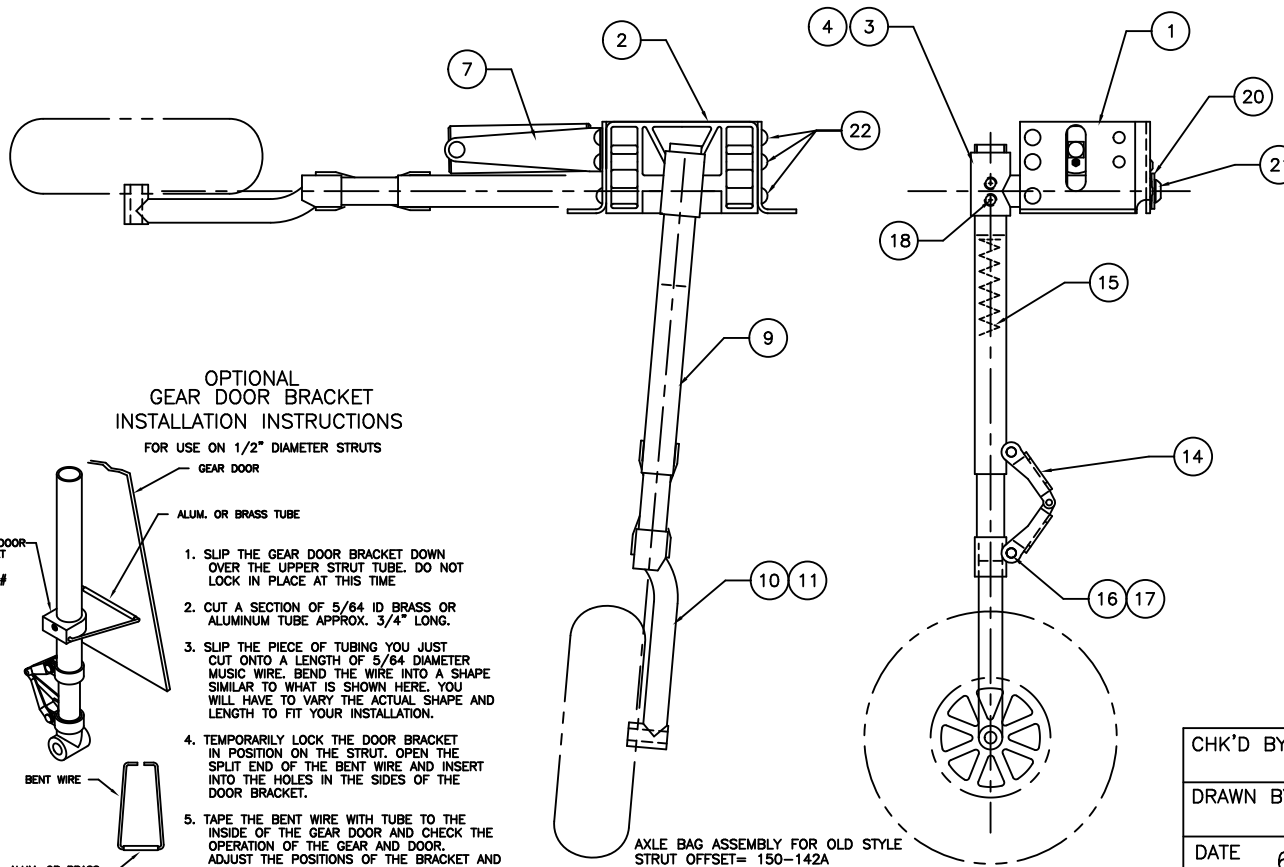
ITEM	NOTE	DESCRIPTION	ASS'Y/PART #
1		FRAME ASSEMBLY	620-105A
2		FRONT HOUSING	620-025A
3/4		TRUNION ASSEMBLY	622-504A RH \ 622-505A LH
5		CAM ASSEMBLY	620-104A
6		CYLINDER ASSEMBLY	620-108A
7		CYLINDER BRACKET	620-004M
8		CYLINDER PIVOT PIN	150-012M
9		STRUT WELDMENT	622-115A
10/11		OLEO RAM WELDMENT	ZP47-314A RH \ ZP47-313A LH
12/13	*	OFFSET OLEO WELDMENT	622-416A LH \ 622-417A RH
14		TORQUE LINK ASSEMBLY	620-112A
15		SPRING 8" LONG	150-019P
16		CLEVIS PIN	620-012M
17		RETAINING RING	1039F
18		SET SCREW	1199F
19		ELASTIC STOP NUT	1041F
20		#10 FLAT WASHER	1075F
21		BH MACH SCREW #10-32	1021F
22		#6-32 PRH MACH SCR	1071F

* PART FOR STRAIGHT OFFSET OLEO RAM



NOTE: RIGHT HAND OR LEFT HAND UNITS ARE LABELED AS IF SITTING IN THE COCKPIT

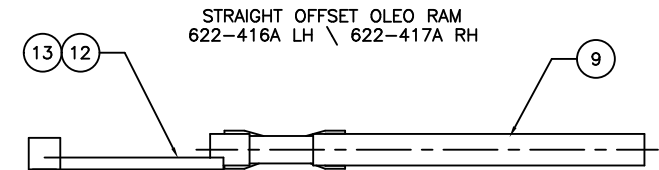
L.H. SHOWN



OPTIONAL GEAR DOOR BRACKET INSTALLATION INSTRUCTIONS

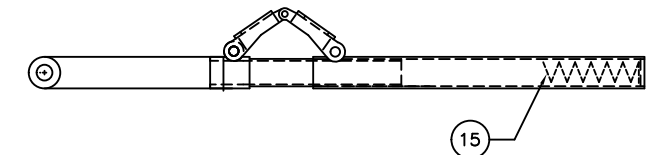
FOR USE ON 1/2" DIAMETER STRUTS

1. SLIP THE GEAR DOOR BRACKET DOWN OVER THE UPPER STRUT TUBE. DO NOT LOCK IN PLACE AT THIS TIME.
2. CUT A SECTION OF 5/64 ID BRASS OR ALUMINUM TUBE APPROX. 3/4" LONG.
3. SLIP THE PIECE OF TUBING YOU JUST CUT ONTO A LENGTH OF 5/64 DIAMETER MUSIC WIRE. BEND THE WIRE INTO A SHAPE SIMILAR TO WHAT IS SHOWN HERE. YOU WILL HAVE TO VARY THE ACTUAL SHAPE AND LENGTH TO FIT YOUR INSTALLATION.
4. TEMPORARILY LOCK THE DOOR BRACKET IN POSITION ON THE STRUT. OPEN THE SPLIT END OF THE BENT WIRE AND INSERT INTO THE HOLES IN THE SIDES OF THE DOOR BRACKET.
5. TAPE THE BENT WIRE WITH TUBE TO THE INSIDE OF THE GEAR DOOR AND CHECK THE OPERATION OF THE GEAR AND DOOR. ADJUST THE POSITIONS OF THE BRACKET AND WIRE AS REQUIRED TO PROVIDE SMOOTH OPERATION AND A TIGHT FITTING DOOR. GLUE ONLY THE TUBE TO THE DOOR AFTER FINAL POSITIONING.



STRAIGHT OFFSET OLEO RAM
622-416A LH \ 622-417A RH

AXLE BAG ASSEMBLY FOR STRAIGHT STRUT OFFSET= 145-142A



AXLE BAG ASSEMBLY FOR OLD STYLE STRUT OFFSET= 150-142A

FACTORY REPAIR FEE= \$25.00 PLUS PARTS

CHK'D BY	robart www.robart.com	MFG. INC. 625 N. 12TH ST. ST. CHARLES, IL (630)584-7616
DRAWN BY J. REHAK		
DATE 6-12-02	TITLE TOP-FLIGHT P47	MAIN GEAR
MODEL No. 622-P47		

906-017M