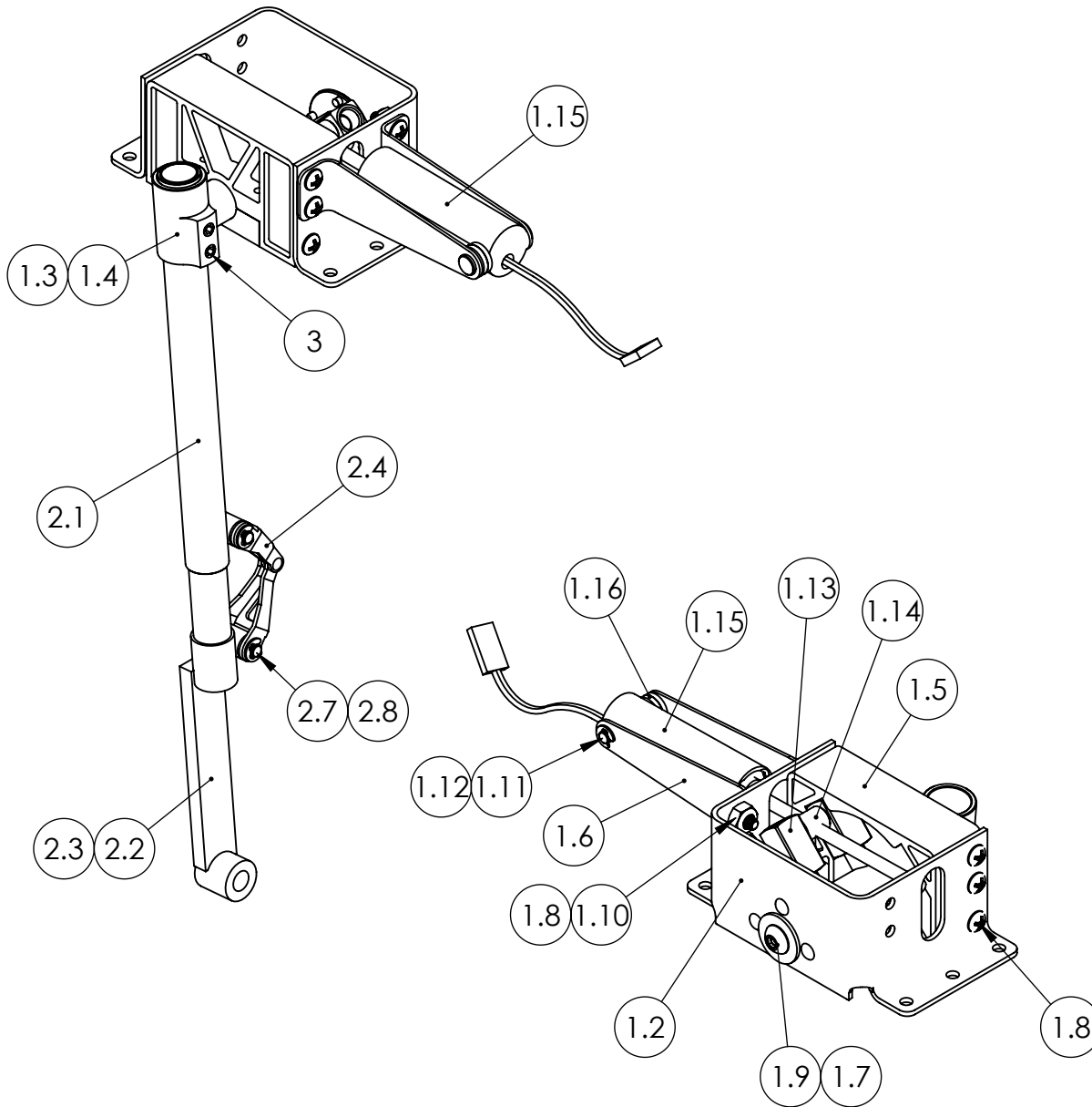


AXLE BAG ASSEMBLY: 145-142A



SPARE PARTS LIST

QTY.	ITEM NO.	DESCRIPTION	PART NUMBER
1	1	RETRACT ASSEMBLY - RH	622E406A
1	1	RETRACT ASSEMBLY - LH	622E407A
1	1.2	FRAME ASSEMBLY	620105A
1	1.3	TRUNION WELDMENT - RH	622504A
1	1.4	TRUNION WELDMENT - LH	622505A
1	1.5	TRUNION BLOCK	620025P
2	1.6	CYLINDER BRACKET	620004M
1	1.7	#10 FLAT WASHER	1075F
8	1.8	#6-32 X 3/8" PHMS	1071F
1	1.9	#10-32 BHCS	1021F
2	1.10	#6-32 LOCK NUT	1041F
1	1.11	CLEVIS PIN	150012M
1	1.12	E-CLIP	1039F
2	1.13	CAM BLOCK	620030M
1	1.14	LINKAGE BARREL	620029M
1	1.15	ELECTRIC ACTUATOR	620E-108P
2	1.16	NYLON SPACER - BLACK	1203F
1	2	STRUT ASSEMBLY - LH	622410A
1	2.1	UPPER STRUT WELDMENT	622115A
1	2.2	OLEO RAM - FOR RH GEAR	622416A
1	2.3	OLEO RAM - FOR LH GEAR	622417A
1	2.4	TORQUE LINK ASSEMBLY	620112A
2	2.7	CLEVIS PIN	620012M
2	2.8	E-CLIP	1039F
1	2.9	COMPRESSION SPRING	150019P
2	3	#10-32 X 3/16 SET SCREW	1199F



625 N. 12TH ST.
ST. CHARLES, IL 60174
PH: 630-584-7616
FX: 630-584-3712

TITLE:

TOP FLITE P47
ELECTRIC VERSION

PROPRIETARY AND CONFIDENTIAL
THE INFORMATION CONTAINED IN THIS DRAWING IS THE SOLE PROPERTY OF ROBART MANUFACTURING. ANY REPRODUCTION IN PART OR AS A WHOLE WITHOUT THE WRITTEN PERMISSION OF ROBART MANUFACTURING IS PROHIBITED.

	NAME	DATE
DRAWN	J.REHAK	16OCT12
CHECKED		

622P47ESP

REV -

906-384M