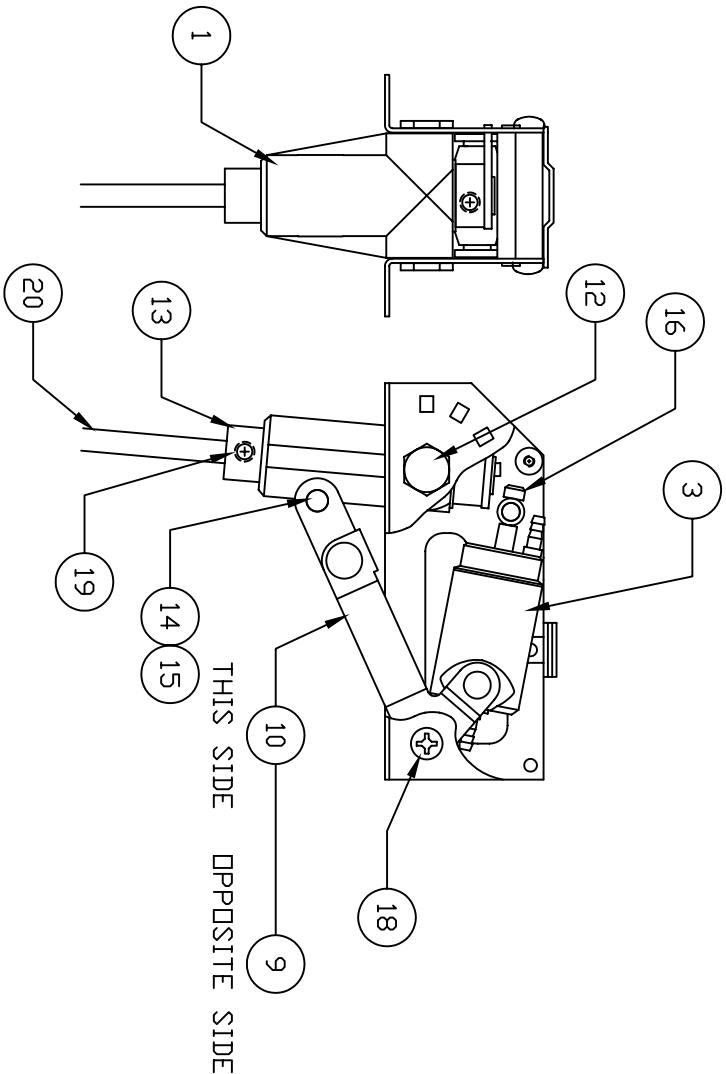
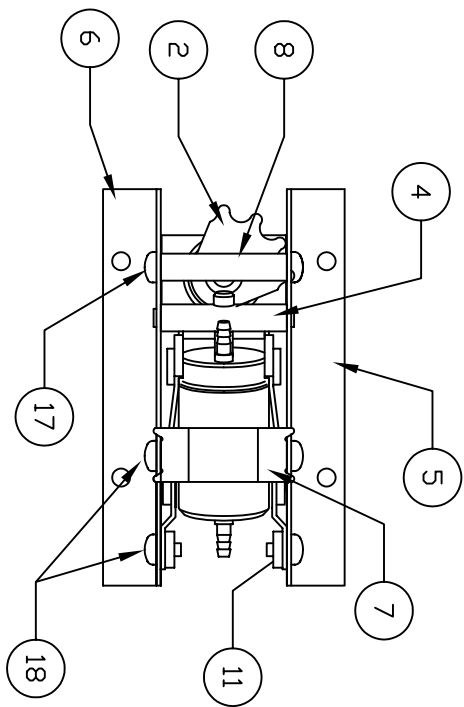


** THIS IS YOUR SPARE PARTS LIST. SAVE FOR FUTURE REFERENCE, ORDER BY PART NUMBER. CURRENT PRICES WILL BE QUOTED.**



SPARE PARTS LIST

QTY	ITEM	DESCRIPTION	ASS'Y/PART #
1	1	TRUNION	615-116M
1	2	GEAR SECTOR ASSEMBLY	615-105A
1	3	CYLINDER ASSEMBLY	615-110A
1	4	CYLINDER BAR	615-125M
1	5	FRAME RH	615-123M
1	6	FRAME LH	615-124M
1	7	FRAME SPACER BRIDGE	615-127M
1	8	SPACER BAR	615-004M
1	9	LIFT LINK ASSEMBLY RH	615-211A
1	10	LIFT LINK ASSEMBLY LH	615-212A
2	11	LIFT LINK NUT	615-115M
2	12	TRUNION PIVOT BOLT	615-119M
1	13	LOCKING COLLAR	615-139M
1	14	CLEVIS PIN	615-117M
1	15	RETAINING RING	1039F
1	16	CYLINDER ROD SCREW	1005F
2	17	SCREW	1047F
4	18	SCREW	1070F
3	19	SET SCREW	1060F
1	20	WIRE	615-137M

NOTE: OLDER GEAR PARTS FOR USE WITH 5/32 WIRE ARE NO LONGER AVAILABLE BUT CAN BE UPGRADED TO 3/16 WIRE BY REPLACING ITEMS 1, 2, 13, AND 20

.906-043M

FACTORY REPAIR FEE= \$25.00 PLUS PARTS

CHK'D BY		MFG. INC.
DRAWN BY	J. REHAK	625 N. 12TH ST.
DATE	4-3-01	ST. CHARLES, IL
MODEL No.	615	(630)584-7616
TITLE		100° ROTATING RETRACTS
		PNEUMATIC MAIN GEAR
		3/16" WIRE



www.robart.com