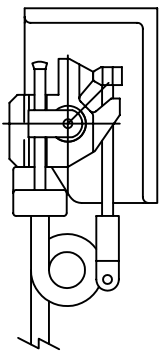
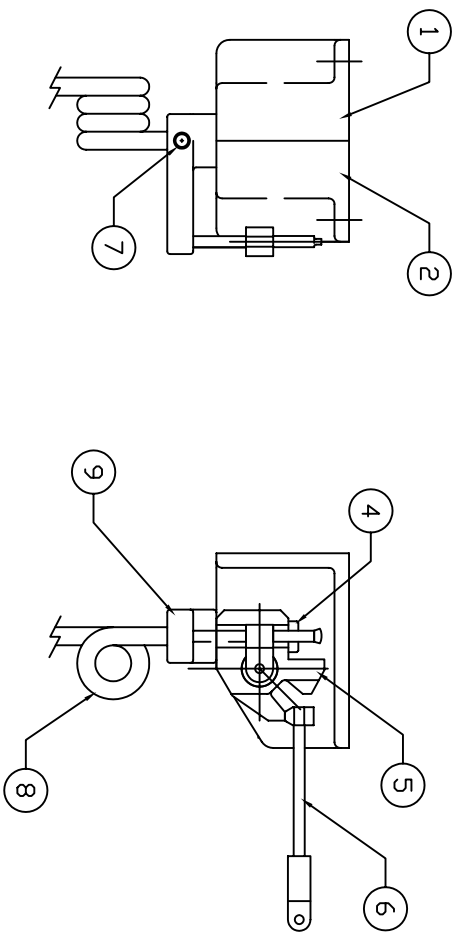
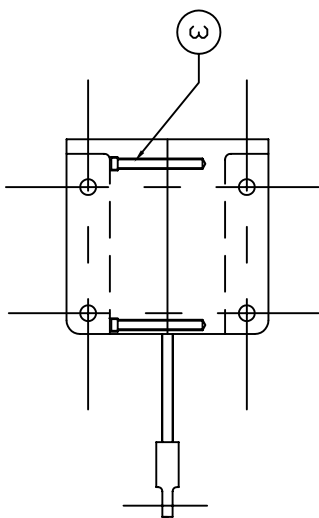



** THIS IS YOUR SPARE PARTS LIST. SAVE FOR FUTURE REFERENCE, ORDER BY PART NUMBER. CURRENT PRICES WILL BE QUOTED.**

SPARE PARTS LIST

QTY	ITEM	DESCRIPTION	ASS'Y/PART #
1	1	HOUSING (RH)	602-002M
1	2	HOUSING (LH)	602-003M
4	3	SCREW #2-56 x 1/2" SHCS	1055F
1	4	SET COLLAR	602-009M
1	5	TRUNION ASS'Y	602-101A
1	6	PUSH ROD ASSEMBLY	600-102A
1	7	4-40 x 1/8" SSS	1010F
1	8	GEAR LEG WIRE	602-008M
1	9	STEERING ASS'Y	602-102A



CHK'D BY		 MFG. INC. 625 N. 12TH ST. ST. CHARLES, IL (630)584-7616 www.robart.com
DRAWN BY	J. REHAK	
DATE	6-7-02	
MODEL No.	602	
TITLE		RETRACTABLE NOSE GEAR 1/8" WIRE

906-149M

FACTORY REPAIR FEE= \$25.00 PLUS PARTS