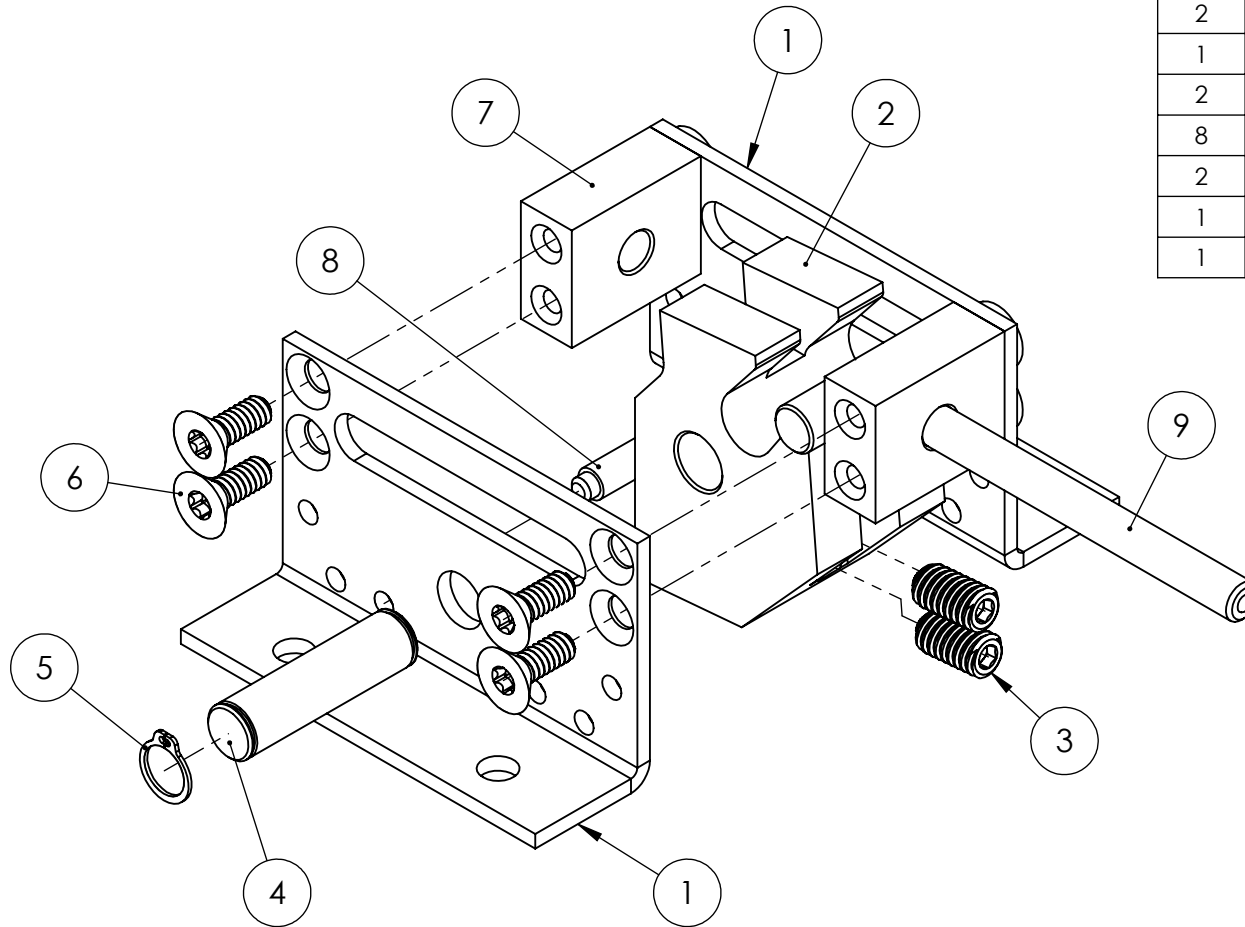


REVISIONS			
REV.	DESCRIPTION	DATE	APPROVED
-	PRODUCTION RELEASE	10JAN12	JR

SPARE PARTS LIST			
QTY.	ITEM NO.	DESCRIPTION	PART NUMBER
2	1	SIDE FRAME	590001M
1	2	85° TRUNION - 3/8" BORE	590013M
2	3	SET SCREW 8-32, 5/16"	1148F
1	4	PIVOT PIN	590014M
2	5	RETAINING RING	1125F
8	6	4-40 X 5/16 TORX FMS ZINC	1065F
2	7	SPACER BLOCK	590008M
1	8	TRUNION STOP	590010M
1	9	PUSH ROD ASSEMBLY	590100A



625 N. 12TH ST.  
ST. CHARLES, IL 60174  
PH: 630-584-7616  
FX: 630-584-3712

TITLE:  
**85° MAIN GEAR ASSEMBLY  
3/8" ROBOSTRUT READY  
590 PROGRESSIVE SERIES**

**PROPRIETARY AND CONFIDENTIAL**  
THE INFORMATION CONTAINED IN THIS DRAWING IS THE SOLE PROPERTY OF ROBERT MANUFACTURING. ANY REPRODUCTION IN PART OR AS A WHOLE WITHOUT THE WRITTEN PERMISSION OF ROBERT MANUFACTURING IS PROHIBITED.

	NAME	DATE
DRAWN	J.REHAK	
CHECKED		

**591MSP**

REV -

906-346M