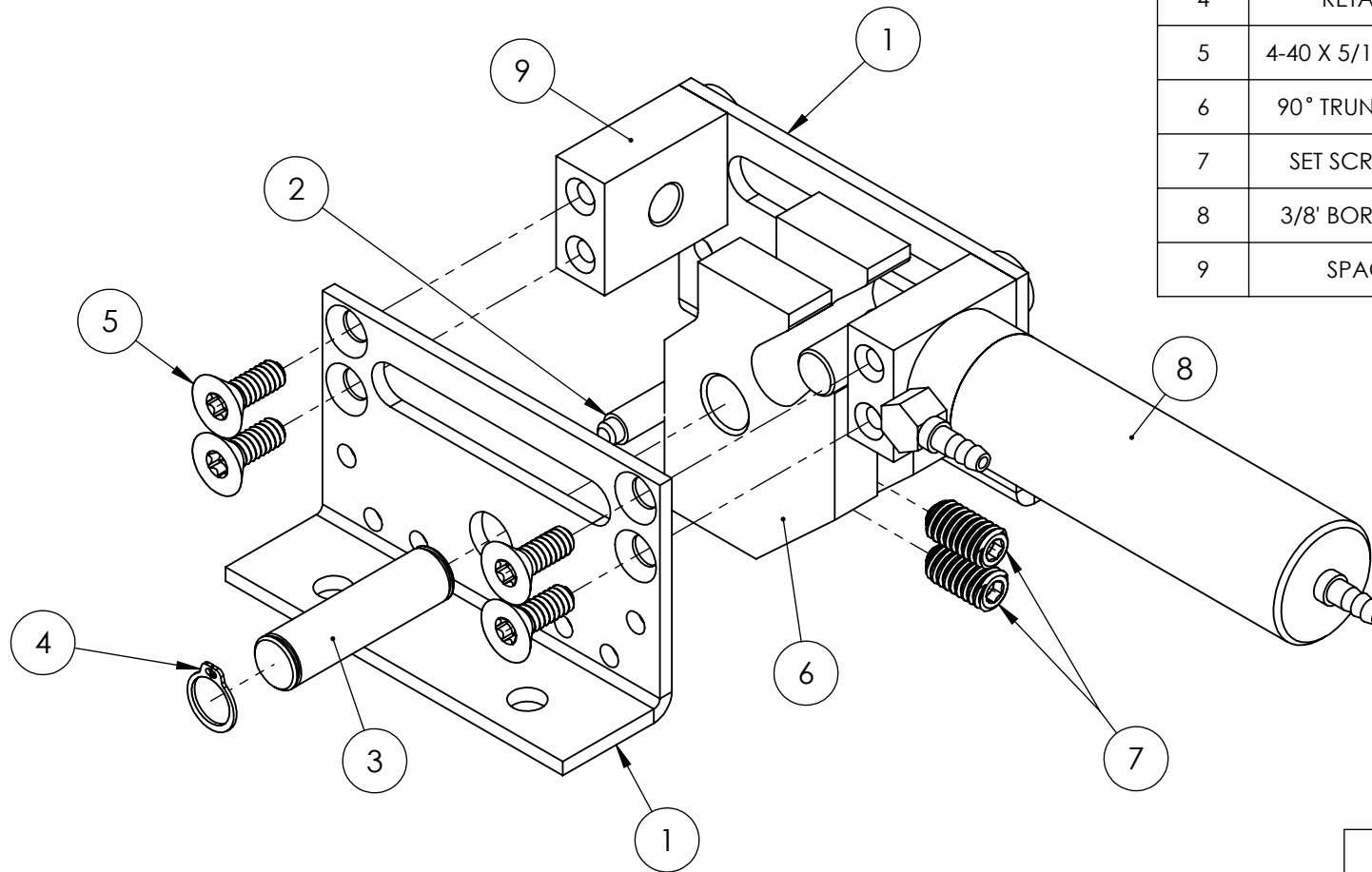


### SPARE PARTS LIST

ITEM NO.	DESCRIPTION	PART NUMBER	QTY.
1	SIDE FRAME	590001M	2
2	TRUNION STOP	590010M	1
3	PIVOT PIN	590014M	1
4	RETAINING RING	1125F	2
5	4-40 X 5/16 TORX FMS ZINC	1065F	8
6	90° TRUNION - 3/8" BORE	590006M	1
7	SET SCREW 8-32, 5/16"	1148F	2
8	3/8" BORE AIR CYLINDER	590106A	1
9	SPACER BLOCK	590008M	1



906-343M

**PROPRIETARY AND CONFIDENTIAL**  
 THE INFORMATION CONTAINED IN THIS DRAWING IS THE SOLE  
 PROPERTY OF ROBERT MANUFACTURING. ANY REPRODUCTION  
 IN PART OR AS A WHOLE WITHOUT THE WRITTEN PERMISSION OF  
 ROBERT MANUFACTURING IS PROHIBITED.

	NAME	DATE
DRAWN	J.REHAK	11APR12
CHECKED		

**robert** 625 N. 12TH ST.  
 ST. CHARLES, IL 60174  
 PH: 630-584-7616  
 FX: 630-584-3712  
[www.robert.com](http://www.robert.com)

TITLE:  
**90° MAIN GEAR  
 3/8" ROBOSTRUT READY  
 590 SERIES PNEUMATIC**

**590PSP** REV -