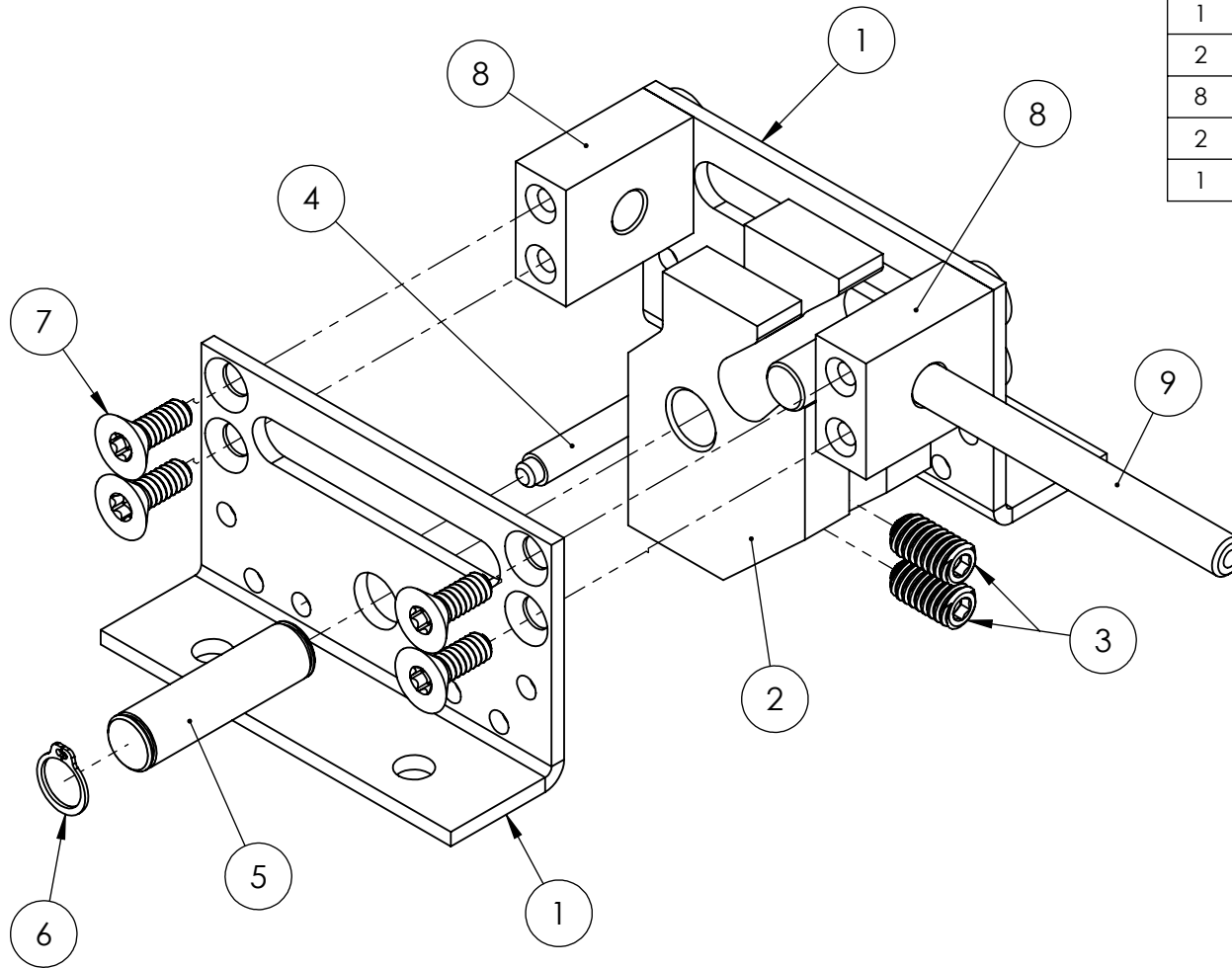


### SPARE PARTS LIST

QTY.	ITEM NO.	DESCRIPTION	PART NUMBER
2	1	SIDE FRAME	590001M
1	2	90° TRUNION - 3/8" BORE	590006M
2	3	SET SCREW 8-32, 5/16"	1148F
1	4	TRUNION STOP	590010M
1	5	PIVOT PIN	590014M
2	6	RETAINING RING	1125F
8	7	4-40 X 5/16 TORX FMS ZINC	1065F
2	8	SPACER BLOCK	590008M
1	9	PUSH ROD ASSEMBLY	590100A



906-345M

**PROPRIETARY AND CONFIDENTIAL**  
 THE INFORMATION CONTAINED IN THIS DRAWING IS THE SOLE PROPERTY OF ROBART MANUFACTURING. ANY REPRODUCTION IN PART OR AS A WHOLE WITHOUT THE WRITTEN PERMISSION OF ROBART MANUFACTURING IS PROHIBITED.

	NAME	DATE
DRAWN	J.REHAK	11JAN12
CHECKED		

**robart**  
 www.robart.com  
 625 N. 12TH ST.  
 ST. CHARLES, IL 60174  
 PH: 630-584-7616  
 FX: 630-584-3712

TITLE:  
**90° MAIN GEAR  
 3/8" ROBOSTRUT READY  
 590 SERIES MECHANICAL**

**590MSP**

REV -