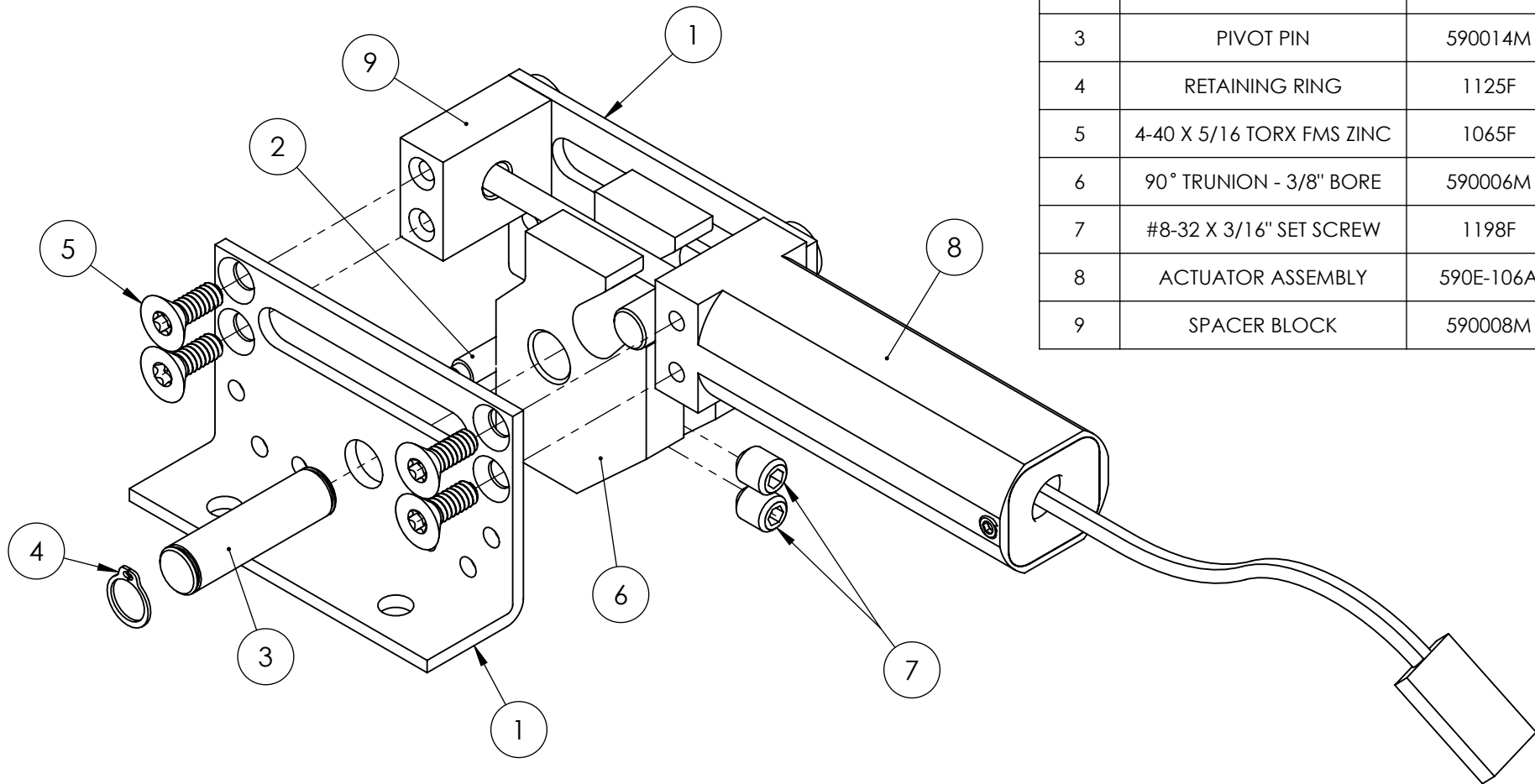


SPARE PARTS LIST

ITEM NO.	DESCRIPTION	PART NUMBER	QTY.
1	SIDE FRAME	590001M	2
2	TRUNION STOP	590010M	1
3	PIVOT PIN	590014M	1
4	RETAINING RING	1125F	2
5	4-40 X 5/16 TORX FMS ZINC	1065F	8
6	90° TRUNION - 3/8" BORE	590006M	1
7	#8-32 X 3/16" SET SCREW	1198F	2
8	ACTUATOR ASSEMBLY	590E-106A	1
9	SPACER BLOCK	590008M	1



906-347M

PROPRIETARY AND CONFIDENTIAL
 THE INFORMATION CONTAINED IN THIS DRAWING IS THE SOLE PROPERTY OF ROBART MANUFACTURING. ANY REPRODUCTION IN PART OR AS A WHOLE WITHOUT THE WRITTEN PERMISSION OF ROBART MANUFACTURING IS PROHIBITED.

	NAME	DATE
DRAWN	J.REHAK	11APR12
CHECKED		



625 N. 12TH ST.
 ST. CHARLES, IL 60174
 PH: 630-584-7616
 FX: 630-584-3712

TITLE:
**90° MAIN GEAR
 3/8" ROBOSTRUT READY
 590 SERIES PNEUMATIC**

590ESP

REV -