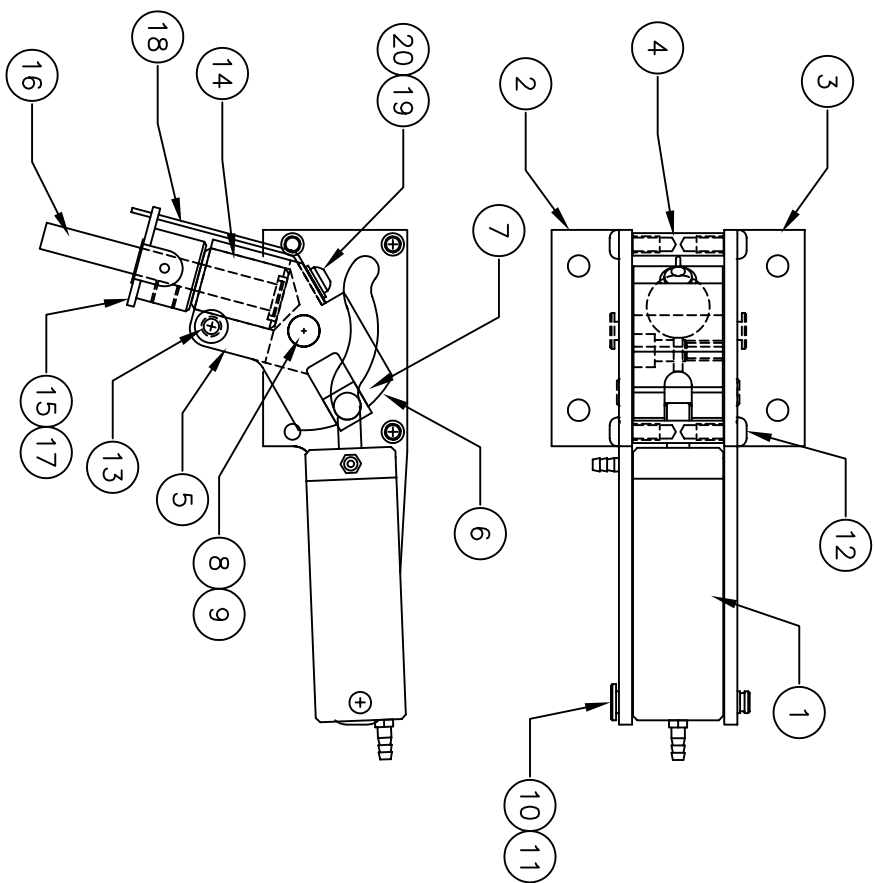


** THIS IS YOUR SPARE PARTS LIST. SAVE FOR FUTURE REFERENCE, ORDER BY PART NUMBER. CURRENT PRICES WILL BE QUOTED.**

SPARE PARTS LIST

| QTY | ITEM | DESCRIPTION | ASSY/PART # |
|-----|------|-----------------------|-------------|
| 1 | 1 | CYLINDER ASSEMBLY | 530-120A |
| 1 | 2 | SIDE FRAME LH | 550-022M |
| 1 | 3 | SIDE FRAME RH | 550-023M |
| 3 | 4 | FRAME SPACER | 530-021M |
| 1 | 5 | TRUNION | 550-209M |
| 2 | 6 | CAM BLOCK | 530-030M |
| 1 | 7 | CAM PIN | 530-029M |
| 1 | 8 | PIVOT PIN | 530-026M |
| 2 | 9 | RETAINING RING | 1125F |
| 1 | 10 | CLEVIS PIN | 150-012M |
| 1 | 11 | RETAINING RING | 1039F |
| 6 | 12 | #4-40 x 1/4 PPHMS | 1047F |
| 1 | 13 | #6-32 x 3/8 SHCS | 1148F |
| 1 | 14 | STEERING BEARING | 530-032M |
| 1 | 15 | STEERING ARM ASSEMBLY | 530-125A |
| 1 | 16 | STEERING SHAFT (AXLE) | 650-010M |
| 1 | 17 | #8-32 KCPSS | 1198F |
| 1 | 18 | CENTERING SPRING | 550-230M |
| 1 | 19 | #4-40 x 3/16 BHCS | 1022F |
| 1 | 20 | #4 FLAT WASHER | 1102F |



906-201M

FACTORY REPAIR FEE= \$25.00 PLUS PARTS

| | | |
|-----------------------|----------|-----------------|
| CHK'D BY | | MFG. INC. |
| DRAWN BY | J. REHAK | 625 N. 12TH ST. |
| DATE | 6/03 | ST. CHARLES, IL |
| MODEL No. | 558RS | (630)584-7616 |
| TITLE | | www.robart.com |
| SERIES 550 105 DEG. | | |
| NOSE RETRACT ASSEMBLY | | |
| MAIN STYLE FRAMES | | |