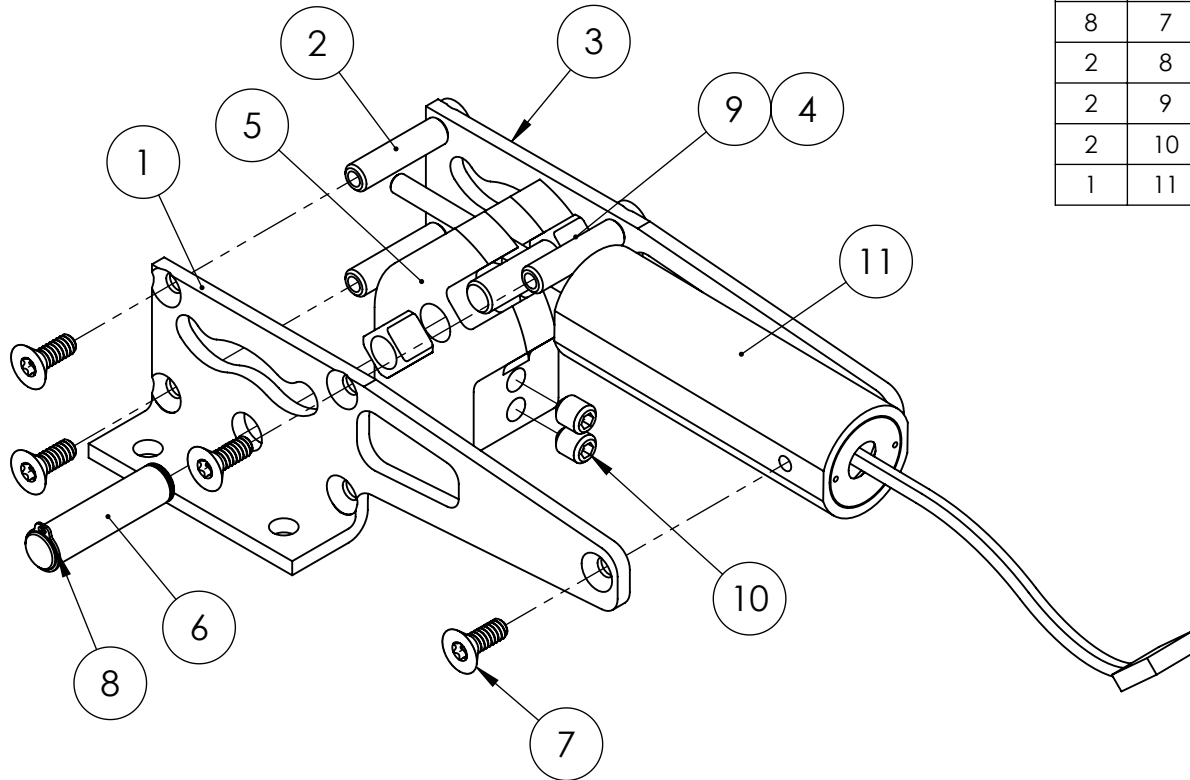


SPARE PARTS LIST

QTY.	ITEM NO.	DESCRIPTION	PART NUMBER
1	1	90 DEG FRAME - LH	550014M
3	2	FRAME SPACER	530021M
1	3	90 DEG FRAME - RH	550015M
1	4	CAM PIN	530029M
1	5	MAIN GEAR TRUNION	550001M
1	6	TRUNION PIN	530026M
8	7	4-40 X 5/16 TORX FMS ZINC	1065F
2	8	RETAINING RING	1125F
2	9	CAM FOLLOWER	530030M
2	10	#8-32 X 3/16" SET SCREW	1198F
1	11	ELECTRIC ACTUATOR	550E-108P



906-386M

PROPRIETARY AND CONFIDENTIAL
 THE INFORMATION CONTAINED IN THIS DRAWING IS THE SOLE
 PROPERTY OF ROBART MANUFACTURING. ANY REPRODUCTION
 IN PART OR AS A WHOLE WITHOUT THE WRITTEN PERMISSION OF
 ROBART MANUFACTURING IS PROHIBITED.

	NAME	DATE
DRAWN	J.REHAK	23OCT12
CHECKED		



625 N. 12TH ST.
 ST. CHARLES, IL 60174
 PH: 630-584-7616
 FX: 630-584-3712

TITLE:

**550RSE
 SPARE PARTS LIST**

550RSESP

REV -