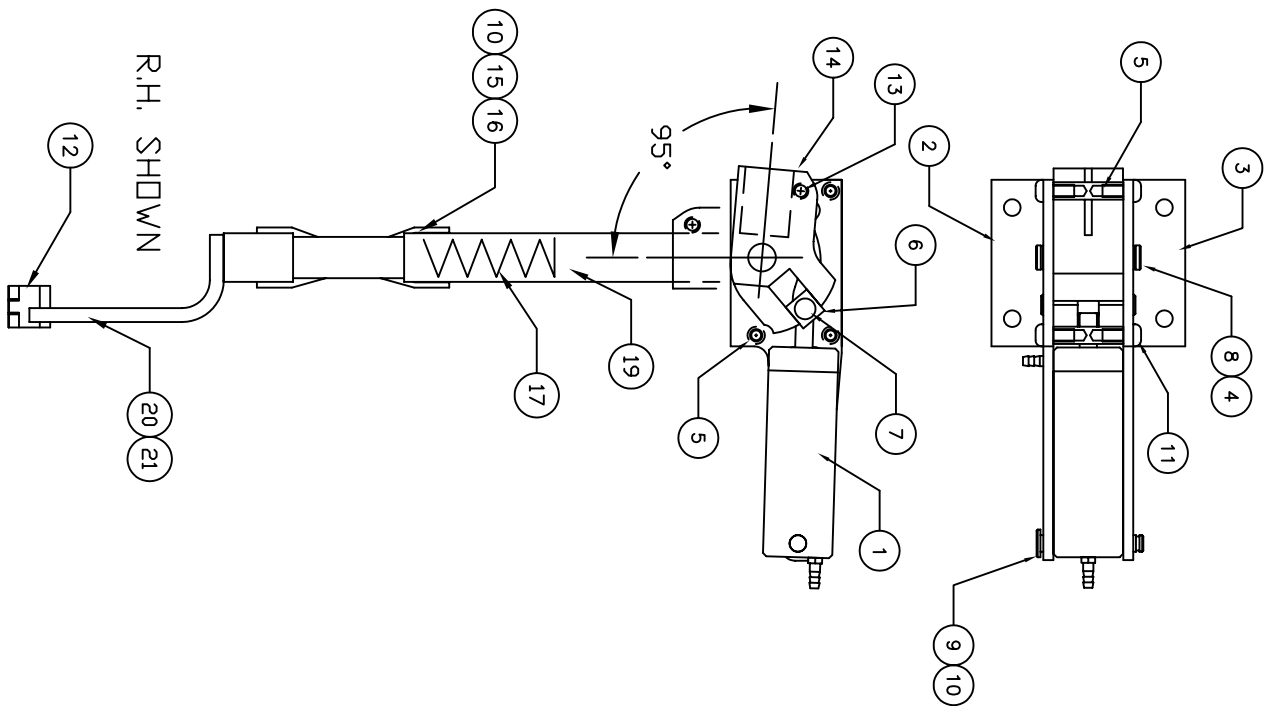


\*\* THIS IS YOUR SPARE PARTS LIST. SAVE FOR FUTURE REFERENCE, ORDER BY PART NUMBER. CURRENT PRICES WILL BE QUOTED.\*\*


## SPARE PARTS LIST

QTY	ITEM NOTE	DESCRIPTION	ASS'Y/PART #
1	1	CYLINDER ASSEMBLY	530-120A
1	2	SIDE FRAME LH	530-008M
1	3	SIDE FRAME RH	530-009M
2	4	7/32 RETAINING RING	1125F
3	5	FRAME SPACER (BAR)	530-021M
2	6	CAM BLOCK	530-030M
1	7	CAM PIN	530-029M
1	8	PIVOT PIN	530-026M
1	9	CLEVIS PIN	.150-012M
3	10	RETAINING RING	1039F
6	11	#4-40 x 1/4 PPHMS ZN	1047F
1	12	AXLE BAG ASSEMBLY	SWD-142A
1	13	#6-32 x 3/8 SHCS	1048F
1	14	TRUNION	530-022M
1	15	TORQUE LINK ASSEMBLY	620-112A
2	16	CLEVIS PIN	620-012M
1	17	SPRING 5" LONG	660-006P
	18		
1	19	STRUT WELDMENT	SWD-104A
1	20	OLEO RAM WELDMENT	SWD-102A (LH)
1	21	OLEO RAM WELDMENT	SWD-103A (RH)

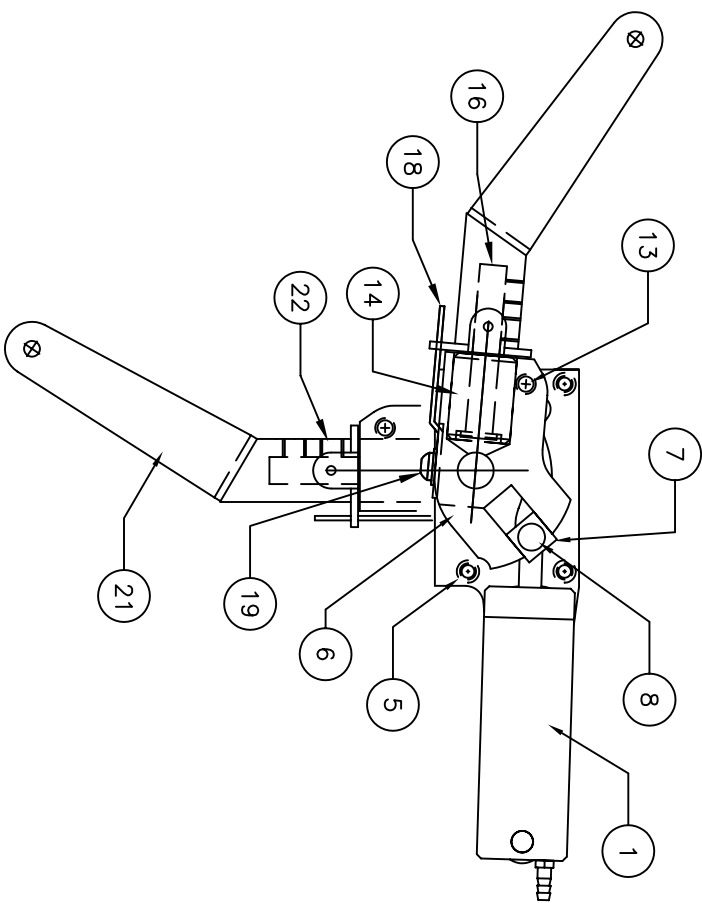
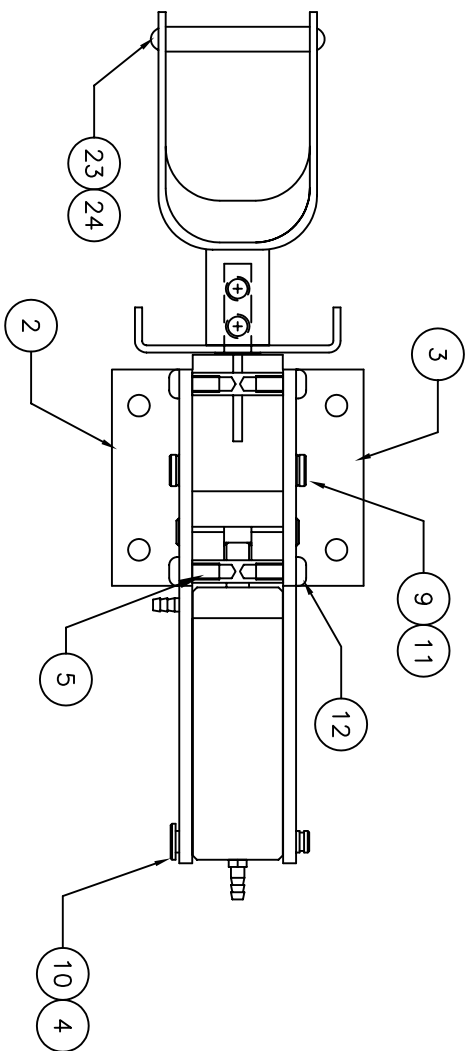


906-257M

FACTORY REPAIR FEE= \$25.00 PLUS PARTS

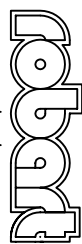
CHK'D BY			MFG. INC. 625 N. 12TH ST. ST. CHARLES, IL (630)584-7616
DRAWN BY	J. REHAK		
DATE	8/05	TITLE MAIN GEAR SPARE PARTS LIST MODEL No. 530 SEAWIND	
www.robart.com			

\*\* THIS IS YOUR SPARE PARTS LIST. SAVE FOR FUTURE REFERENCE, ORDER BY PART NUMBER. CURRENT PRICES WILL BE QUOTED.\*\*



## SPARE PARTS LIST

QTY	ITEM NOTE	DESCRIPTION	ASS'Y/PART #
1	1	CYLINDER ASSEMBLY	530-120A
1	2	SIDE FRAME LH	530-008M
1	3	SIDE FRAME RH	530-009M
1	4	RETAINING RING	1039F
3	5	FRAME SPACER (BAR)	530-021M
1	6	TRUNION	530-023M
2	7	CAM BLOCK	530-030M
1	8	CAM PIN	530-029M
1	9	PIVOT PIN	530-026M
1	10	CLEVIS PIN	150-012M
2	11	RETAINING RING	1125F
6	12	1/4 PPHMS ZN	1047F
1	13	#6-32 x 3/8 SHCS	1048F
1	14	STEERING BEARING	530-032M
1	15		
1	16	STEERING SHAFT (AXLE)	SWD-010M
1	17		
1	18	CENTERING SPRING	550-230M
1	19	#4-40 x 3/16 BHCS	1022F
1	20		
1	21	STRUT ASSEMBLY	SWD-201A
2	22	#8-32 SET SCREW	1198F
1	23	AXLE	160-020M
2	24	AXLE SCREW	1047F

CHK'D BY			MFG. INC. 625 N. 12TH ST. ST. CHARLES, IL (630)584-7616
DRAWN BY	J. REHAK		
DATE	8/05	TITLE	
MODEL No.	530 SEAWIND	NDSE GEAR SPARE PARTS LIST 530 SEAWIND	

FACTORY REPAIR FEE= \$25.00 PLUS PARTS

906-258M