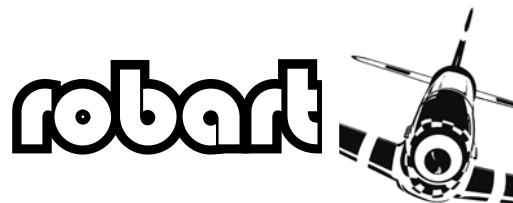
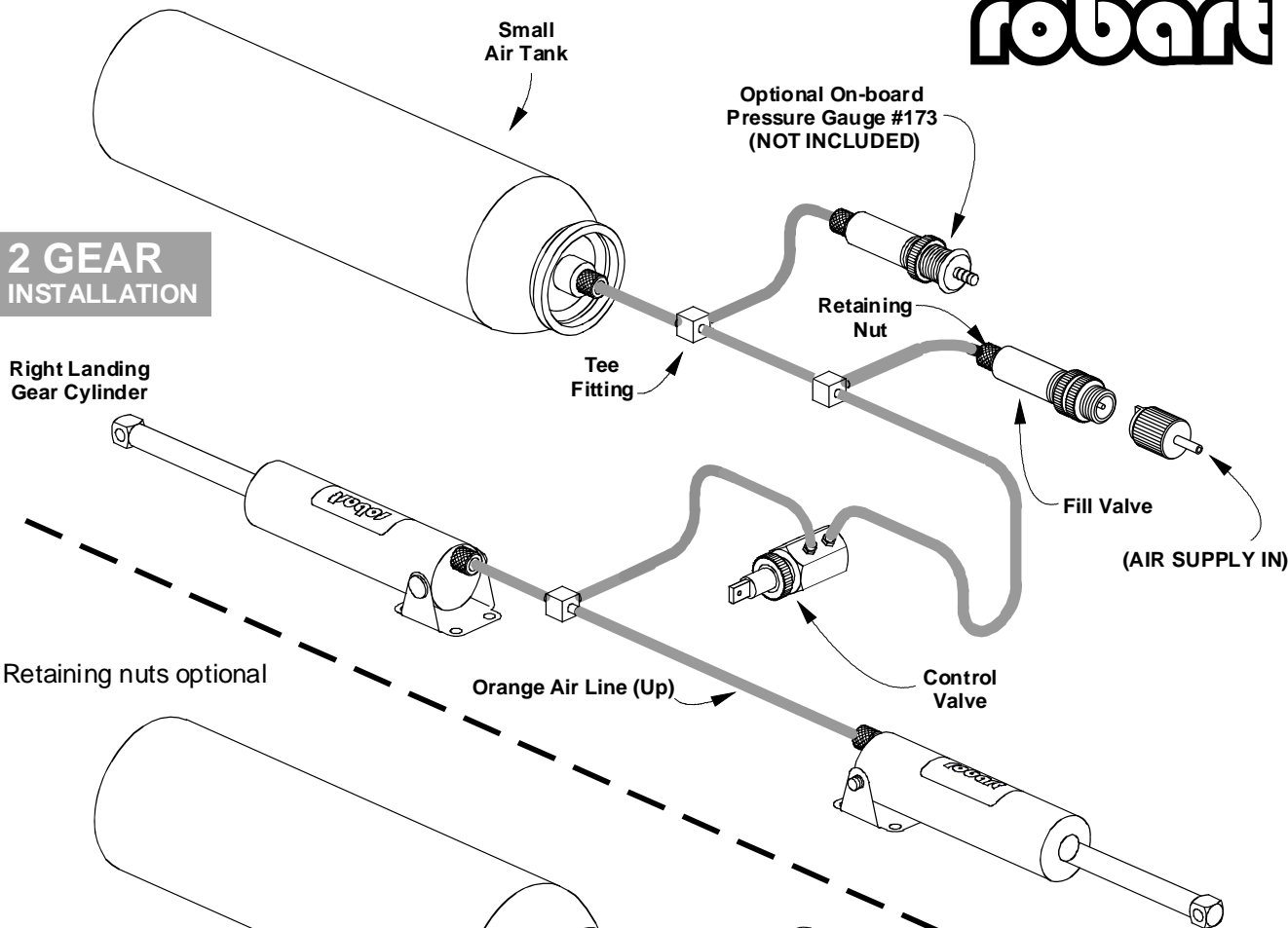


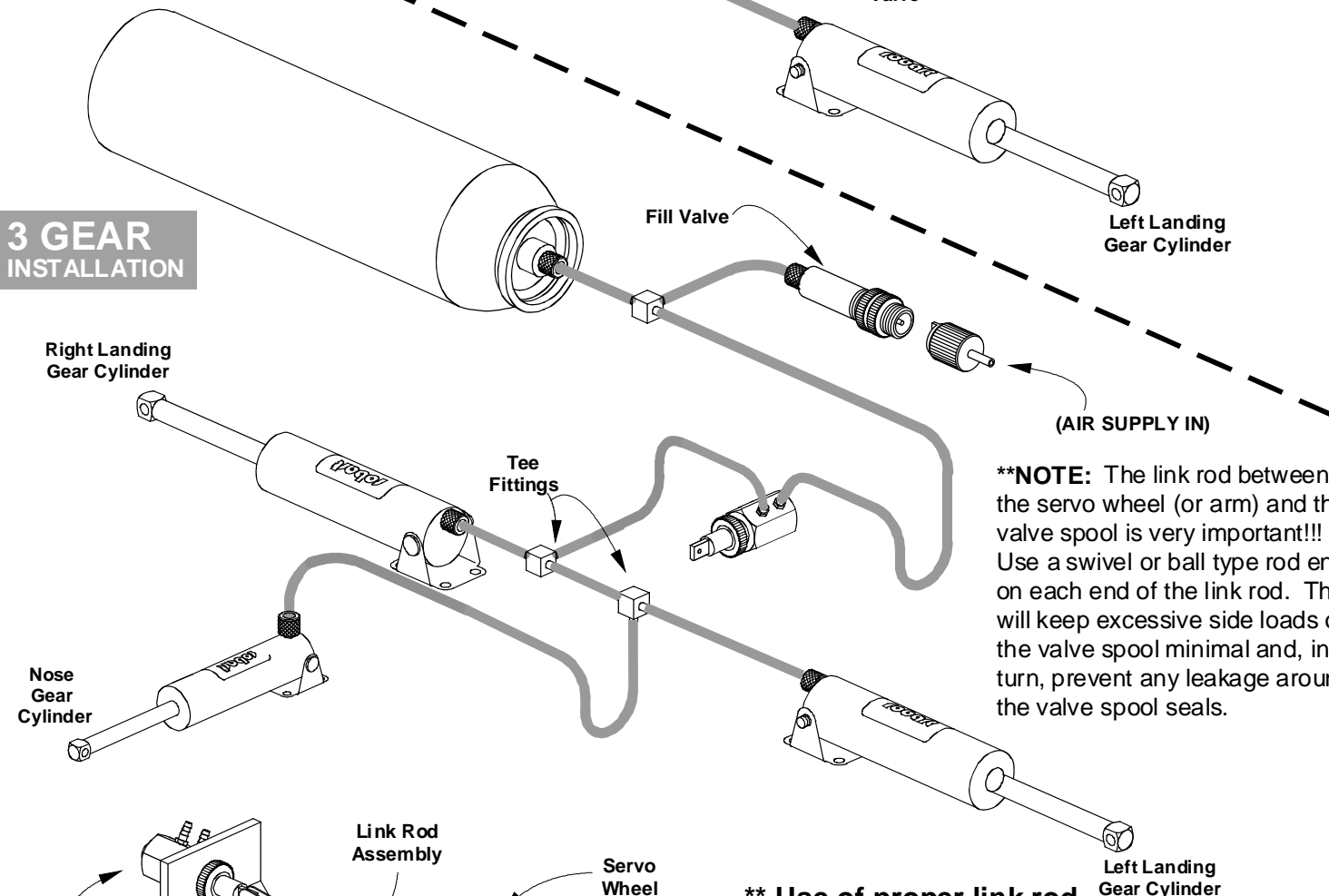
# robart 186 CONTROL VALVE INSTALLATION INSTRUCTIONS



## 2 GEAR INSTALLATION



## 3 GEAR INSTALLATION



**\*\*NOTE:** The link rod between the servo wheel (or arm) and the valve spool is very important!!! Use a swivel or ball type rod end on each end of the link rod. This will keep excessive side loads on the valve spool minimal and, in turn, prevent any leakage around the valve spool seals.

**\*\* Use of proper link rod assembly between servo and control valve**  
(servo, servo wheel, and link rod assembly are NOT included in kit)