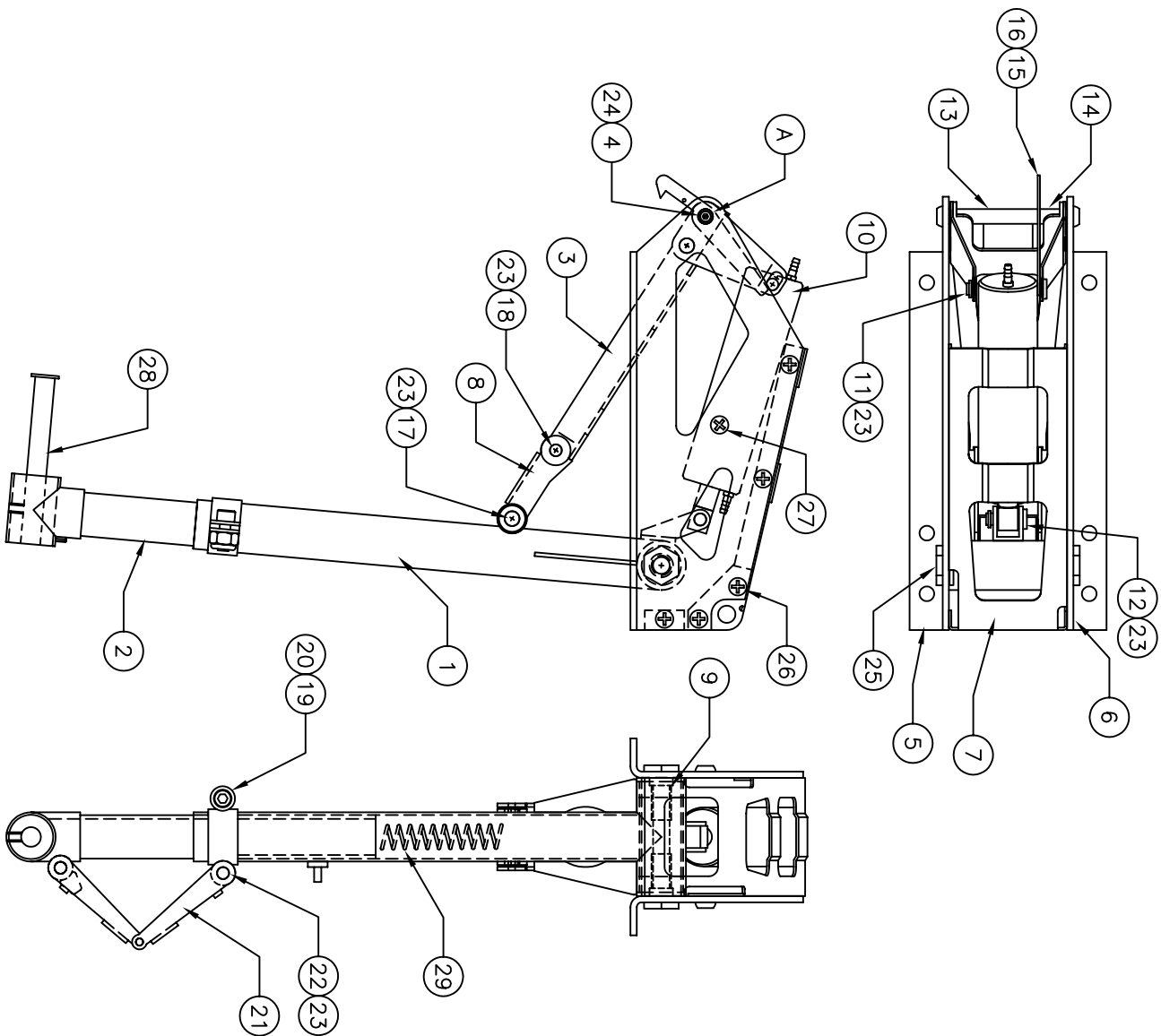


** THIS IS YOUR SPARE PARTS LIST. SAVE FOR FUTURE REFERENCE, ORDER BY PART NUMBER. CURRENT PRICES WILL BE QUOTED.**



906-022M

FACTORY REPAIR FEE= \$25.00 PLUS PARTS

SPARE PARTS LIST

QTY	ITEM	DESCRIPTION	ASS'Y/PART #
1	1	TRUNION ASSEMBLY	152-104A
1	2	OLEO RAM	151-106A
1	3	LIFT YOKE ASSEMBLY	150-105A
1	4	LIFT YOKE PIVOT PIN	150-004M
1	5	SIDE FRAME (RH)	150-037M
1	6	SIDE FRAME (LH)	150-036M
1	7	SPACER BRACKET	150-038M
1	8	LIFT LINK	150-029M
1	9	TRUNION SHAFT	151-007M
1	10	CYLINDER ASSEMBLY	150-108A
1	11	CYLINDER CLEVIS PIN	150-012M
1	12	ACTUATOR CLEVIS PIN	150-018M
1	13	LATCH SPACER TUBE LARGE	150-001M
1	14	LATCH SPACER TUBE SMALL	150-005M
1	15	LATCH PAWL	150-003M
1	16	LATCH SPRING	102-008M
1	17	LIFT LINK CLEVIS PIN	150-010M
2	18	LIFT YOKE CLEVIS PIN	150-033M
1	19	TORQUE LINK MOUNT RH	150-112A
1	20	TORQUE LINK MOUNT LH	150-113A
2	21	TORQUE LINK ASSEMBLY	150-107A
2	22	CLEVIS PIN (CAM PIN)	150-002M
7	23	RETAINING RING	1039F
2	24	#4-40 x 1/4 BHCS	1022F
2	25	HEX SHOULDER BOLT 1/4-28	151-008M
10	26	#4 X 1/4 PPHMS	1026F
1	27	#6 PPHSMS	1012F
1	28	AXLE BAG	145-142A
1	29	SPRING	151-019P
30			

A NOTE THAT OLD STYLE PIVOT PINS DO NOT HAVE THE STEPPED ENDS AS THE NEW STYLE. TO CONVERT THE SIDE FRAMES TO ACCEPT THE NEW STYLE PIN THE PIN MOUNTING HOLES HAVE TO BE DRILLED OUT WITH A #24 DRILL (0.152)

CHK'D BY
DRAWN BY J. REHAK
DATE 6-18-02
MODEL No. 152

robot
www.robot.com

MFG. INC.
625 N. 12TH ST.
ST. CHARLES, IL
(630)584-7616

TITLE
85° NON ROTATING
LARGE SCALE RETRACTS