



Optional U-Clamp



Note; RoHS applies only to SS internals

### Description & Features:

- Liquid filled stainless steel case protects against vibration and pulsation
- Bayonet ring
- Highly accurate
- Back, bottom, or panel mounted
- Under and overload stops
- Ventable plug on 2.5" and 4" bottom mount gauges
- Stainless steel or brass wetted parts
- Restricted orifice standard on dual scale (optional on single scale)
- Dry case available
- ASME B40.100 and EN837-1 compliant
- CRN registered
- 5 year warranty

### Applications:

- Outdoor and severe ambient and process conditions
- Use where harmful vibration and pulsation are present
- Hydraulic equipment, pressure washers, oil field equipment, pumps, compressors and process systems

Specifications	Stainless Steel Internals	Brass Internals
<b>Dial</b>	2.5" (63mm), 4" (100mm), 6" (150mm) white aluminum with black and red markings	4" (100mm) white aluminum with black and red markings
<b>Case</b>	AISI 304 SS	AISI 304 SS
<b>Lens</b>	Polycarbonate	Polycarbonate
<b>Ring</b>	AISI 304 SS	AISI 304 SS
<b>Socket</b>	316 SS 2.5", 4": Welded one-piece socket	OT 58 brass
<b>Connection</b>	1/4" NPT or 1/2" NPT standard 2.5" (63mm): 1/4" NPT only	1/4" NPT or 1/2" NPT standard
<b>Bourdon Tube</b>	316 SS, drawn seamless	Phosphor bronze
<b>Movement</b>	304 SS with under and overload stops	OT 59 brass with under and overload stops
<b>Pointer</b>	2.5" (63mm): Aluminum, anodized black 4" (100mm), 6" (150mm): Aluminum, anodized black, micrometer adjustable	4" (100mm) aluminum, anodized black
<b>Welding</b>	TIG	Silver alloy
<b>Fill Liquid</b>	Glycerin	Glycerin
<b>Over-pressure Limit</b>	25% for pressures up to 1,450 psi (9,998 kPa), 15% for pressures over 1,500 psi (10,342 kPa)	25% for pressures up to 1,450 psi (9,998 kPa), 15% for pressures over 1,500 psi (10,342 kPa)
<b>Socket Gasket</b>	2.5" (63mm), 4" (100mm): Welded (no gasket) 6" (150mm): Buna N for one-piece external socket seal, Silicone rubber option	4" (100mm): Buna N for two-piece internal socket seal
<b>Fill Plug</b>	Buna N (Silicone rubber option)	Buna N (Silicone rubber option)
<b>Lens Ring Gasket</b>	Buna N (Silicone rubber option)	Buna N (Silicone rubber option)
<b>Working Pressure</b>	Maximum 75% of full scale value	Maximum 75% of full scale value
<b>Ambient Temperature</b>	Dry: -40°F to 250°F (-40°C to 120°C) Glycerin Filled: -4°F to 150°F (-20°C to 65°C)	Dry: -40°F to 200°F (-40°C to 93°C) Glycerin Filled: -4°F to 150°F (-20°C to 65°C)
<b>Process Temperature</b>	-40°F to 250°F (-40°C to 120°C)	-40°F to 200°F (-40°C to 93°C)
<b>Accuracy</b>	2.5" (63mm): ±1.5% of full scale value 4" (100mm), 6" (150mm): ±1% ANSI/ASME Grade 1A	4" (100mm): ±1% ANSI/ASME Grade 1A
<b>Enclosure Rating</b>	NEMA 4X/IP66, EN60529-1 (IEC529-1)	NEMA 4X/IP66, EN60529-1 (IEC529-1)

### Single Scale Order Codes (products in bold are normally stock)

Dial Size	2.5" (63mm)		4" (100mm)			
	1/4" Bottom	1/4" Back (CB)	1/4" Bottom	1/4" Back (LB)	1/2" Bottom	1/2" Back (LB)
Movement, Socket, Tube	SS					
30" Hg Vac	PFP820R1	PFP840R1	PFP640R1	PFP1090R1	PFP655R1	-
30"/0/15 psi	PFP860R1	PFP870R1	PFP1036R1	PFP1244R1	PFP1044R1	-
30"/0/30 psi	<b>PFP861R1</b>	PFP871R1	PFP1037R1	PFP1245R1	PFP1045R1	-
30"/0/60 psi	PFP862R1	PFP872R1	PFP1038R1	PFP1246R1	PFP1046R1	-
30"/0/100 psi	PFP863R1	PFP873R1	PFP1039R1	PFP1247R1	PFP1047R1	-
30"/0/150 psi	PFP864R1	PFP874R1	PFP1040R1	PFP1248R1	PFP1048R1	-
30"/0/200 psi	PFP866R1	PFP876R1	PFP1042R1	PFP1249R1	PFP1050R1	-
30"/0/300 psi	PFP867R1	PFP877R1	PFP1043R1	PFP1250R1	PFP1051R1	-
0/15 psi	PFP821R1	PFP921R1	PFP641R1	PFP1091R1	PFP656R1	-
0/30 psi	<b>PFP822R1</b>	PFP922R1	PFP642R1	PFP1092R1	PFP657R1	-
0/60 psi	<b>PFP823R1</b>	PFP923R1	PFP643R1	PFP1093R1	PFP658R1	-
0/100 psi	<b>PFP824R1</b>	<b>PFP924R1</b>	PFP644R1	PFP1094R1	<b>PFP659R1</b>	-
0/160 psi	<b>PFP825R1</b>	<b>PFP925R1</b>	<b>PFP645R1</b>	PFP1095R1	<b>PFP660R1</b>	-
0/200 psi	<b>PFP826R1</b>	PFP926R1	PFP646R1	PFP1096R1	<b>PFP661R1</b>	-
0/300 psi	<b>PFP827R1</b>	PFP927R1	PFP647R1	PFP1097R1	<b>PFP662R1</b>	-
0/400 psi	<b>PFP880R1</b>	PFP881R1	PFP650R1	PFP1251R1	PFP666R1	-
0/600 psi	<b>PFP828R1</b>	PFP928R1	PFP648R1	PFP1098R1	<b>PFP663R1</b>	-
0/1,000 psi	PFP829R1	PFP929R1	PFP649R1	PFP1099R1	<b>PFP664R1</b>	-
0/1,500 psi	PFP834R1	PFP934R1	-	PFP1252R1	PFP665R1	PFP1190R1
0/2,000 psi	PFP830R1	PFP930R1	-	PFP1253R1	PFP667R1	PFP1191R1
0/3,000 psi	<b>PFP831R1</b>	PFP931R1	-	PFP1254R1	PFP668R1	PFP1192R1
0/5,000 psi	<b>PFP832R1</b>	PFP852R1	-	PFP1255R1	PFP669R1	PFP1193R1
0/6,000 psi	PFP836R1	PFP851R1	-	PFP1259R1	PFP675R1	PFP1197R1
0/10,000 psi	<b>PFP833R1</b>	PFP853R1	-	PFP1256R1	PFP670R1	PFP1194R1
0/15,000 psi	PFP835R1	PFP855R1	-	PFP1257R1	PFP671R1	PFP1195R1
0/20,000 psi	PFP837R1	-	-	PFP1258R1	PFP672R1	PFP1196R1

Other ranges and connection sizes available upon request. 316 SS case and mountable bezel available upon request. For scale change, refer to How to Order Guide for scale codes. **For options, attach suffix to end of order code: i.e. PFP929R1-25UC for U-CLAMP.**

#### Option suffix:

25BF = 2.5" (63mm) Back flange  
 25DRY = Supply 2.5" (63mm) gauge dry  
 25FF = 2.5" (63mm) Front flange  
 25UC = 2.5" (63mm) U-Clamp  
 25BOOT = 2.5" (63mm) black rubber boot

4BF = 4" (100mm) Back flange  
 4FF = 4" (100mm) Front flange  
 4UC-P = 4" (100mm) U-Clamp premium  
 DRY = Supply 4" (100mm) gauge dry  
 GID = Glow-in-the-dark dial

REST = Restrictor screw  
 SF25 = 2.5" (63mm) Silicone filled  
 SF4 = 4" (100mm) Silicone filled  
 SG-25 = 2.5" (63mm) Safety glass lens  
 SG-4 = 4" (100mm) Safety glass lens

### Dual Scale Order Codes (products in bold are normally stock)

Dial Size	2.5" (63mm)		4" (100mm)							
	1/4" Bottom	1/4" Back (CB)	1/4" Bottom	1/4" Back (LB)	1/4" Bottom	1/4" Back (LB)	1/2" Bottom	1/2" Back (LB)	1/2" Bottom	1/2" Back (LB)
Movement, Socket, Tube	SS		Brass		SS		Brass		SS	
30" Hg Vac/kPa	<b>PFP820</b>	<b>PFP840</b>	PFP600	PFP1000	PFP640	PFP1090	PFP2284	-	PFP655	PFP2308
30"/0/15 psi/kPa	<b>PFP860</b>	PFP870	PFP1020	PFP1028	PFP1036	PFP1244	PFP2285	-	PFP1044	PFP2309
30"/0/30 psi/kPa	<b>PFP861</b>	PFP871	PFP1021	PFP1029	PFP1037	PFP1245	PFP2286	-	PFP1045	PFP2310
30"/0/60 psi/kPa	<b>PFP862</b>	<b>PFP872</b>	PFP1022	PFP1030	<b>PFP1038</b>	PFP1246	PFP2287	-	PFP1046	PFP2311
30"/0/100 psi/kPa	<b>PFP863</b>	PFP873	PFP1023	PFP1031	PFP1039	PFP1247	PFP2288	-	PFP1047	PFP2312
30"/0/150 psi/kPa	<b>PFP864</b>	PFP874	PFP1024	PFP1032	PFP1040	PFP1248	PFP2289	-	PFP1048	PFP2313
30"/0/200 psi/kPa	PFP866	PFP876	PFP1026	PFP1034	PFP1042	PFP1249	PFP2290	-	PFP1050	PFP2314
30"/0/300 psi/kPa	PFP867	PFP877	PFP1027	PFP1035	PFP1043	PFP1250	PFP2291	-	PFP1051	PFP2315
0/15 psi/kPa	<b>PFP821</b>	PFP921	<b>PFP601</b>	PFP1001	PFP641	PFP1091	PFP2292	-	PFP656	PFP2316
0/30 psi/kPa	<b>PFP822</b>	<b>PFP922</b>	<b>PFP602</b>	PFP1002	<b>PFP642</b>	PFP1092	PFP2293	-	PFP657	PFP2317
0/60 psi/kPa	<b>PFP823</b>	<b>PFP923</b>	<b>PFP603</b>	PFP1003	<b>PFP643</b>	PFP1093	PFP2294	-	<b>PFP658</b>	PFP2318
0/100 psi/kPa	<b>PFP824</b>	<b>PFP924</b>	<b>PFP604</b>	PFP1004	<b>PFP644</b>	PFP1094	PFP2295	-	<b>PFP659</b>	PFP2319
0/160 psi/kPa	<b>PFP825</b>	<b>PFP925</b>	<b>PFP605</b>	PFP1005	<b>PFP645</b>	PFP1095	PFP2296	-	<b>PFP660</b>	PFP2320
0/200 psi/kPa	<b>PFP826</b>	<b>PFP926</b>	<b>PFP606</b>	PFP1006	<b>PFP646</b>	PFP1096	PFP2297	-	<b>PFP661</b>	PFP2321
0/300 psi/kPa	<b>PFP827</b>	<b>PFP927</b>	<b>PFP607</b>	PFP1007	<b>PFP647</b>	PFP1097	PFP2298	-	<b>PFP662</b>	PFP2322
0/400 psi/kPa	<b>PFP880</b>	<b>PFP881</b>	PFP610	PFP1016	<b>PFP650</b>	PFP1251	PFP2299	-	<b>PFP666</b>	PFP2323
0/600 psi/kPa	<b>PFP828</b>	<b>PFP928</b>	PFP608	PFP1008	<b>PFP648</b>	PFP1098	PFP2300	-	<b>PFP663</b>	PFP2324
0/1,000 psi/kPa	<b>PFP829</b>	<b>PFP929</b>	PFP609	-	PFP649	PFP1099	PFP624	PFP1009	<b>PFP664</b>	PFP2325
0/1,500 psi/kPa	<b>PFP834</b>	PFP934	-	-	PFP2301	PFP1252	PFP625	PFP1010	<b>PFP665</b>	PFP1190
0/2,000 psi/kPa	<b>PFP830</b>	PFP930	-	-	PFP2302	PFP1253	PFP626	PFP1011	<b>PFP667</b>	PFP1191
0/3,000 psi/kPa	<b>PFP831</b>	<b>PFP931</b>	-	-	PFP2303	PFP1254	PFP627	PFP1012	<b>PFP668</b>	PFP1192
0/5,000 psi/kPa	<b>PFP832</b>	<b>PFP852</b>	-	-	PFP2304	PFP1255	PFP628	PFP1013	<b>PFP669</b>	PFP1193
0/6,000 psi/kPa	<b>PFP836</b>	<b>PFP851</b>	-	-	PFP2305	PFP1259	PFP631	PFP1015	PFP675	PFP1197
0/10,000 psi/kPa	<b>PFP833</b>	PFP853	-	-	PFP2306	PFP1256	PFP629	PFP1014	PFP670	PFP1194
0/15,000 psi/kPa	<b>PFP835</b>	PFP855	-	-	PFP2307	PFP1257	PFP630	PFP1018	PFP671	PFP1195
0/20,000 psi/kPa	PFP837	-	-	-	-	PFP1258	PFP639	PFP1019	<b>PFP672</b>	PFP1196

Other ranges and connection sizes available upon request. 316 SS case and mountable bezel available upon request. For scale change, refer to How to Order Guide for scale codes. **For options, attach suffix to end of order code: i.e. PFP929-25UC for U-CLAMP.**

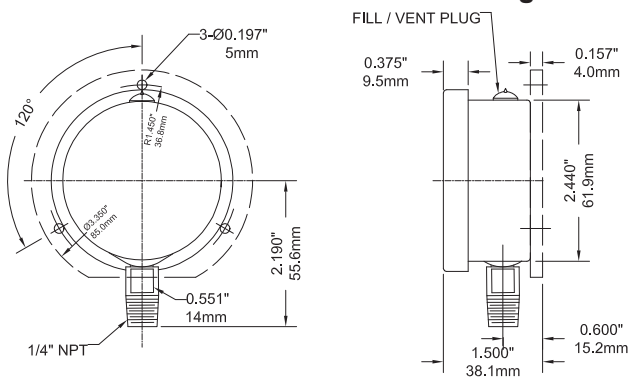
#### Option suffix:

25BF = 2.5" (63mm) Back flange  
 25DRY = Supply 2.5" (63mm) gauge dry  
 25FF = 2.5" (63mm) Front flange  
 25UC = 2.5" (63mm) U-Clamp  
 25BOOT = 2.5" (63mm) Black rubber boot

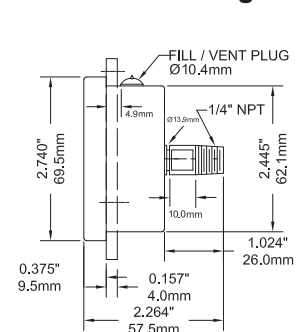
4BF = 4" (100mm) Back flange  
 4FF = 4" (100mm) Front flange  
 4UC-P = 4" (100mm) U-Clamp premium  
 DRY = Supply 4" (100mm) gauge dry  
 GID = Glow-in-the-dark dial

SF25 = 2.5" (63mm) Silicone filled  
 SF4 = 4" (100mm) Silicone filled  
 SG-25 = 2.5" (63mm) Safety glass lens  
 SG-4 = 4" (100mm) Safety glass lens

### 2.5" Bottom Connection with Back Flange



### 2.5" Back Connection with Front Flange



### Dual Scale Order Codes (products in bold are normally stock)

Dial Size	6" (150mm)			
Connection	1/4" Bottom	1/4" Back (LB)	1/2" Bottom	1/2" Back (LB)
Movement, Socket, Tube	SS			
30" Hg Vac/kPa	PFP1078	PFP1168	PFP2326	-
30"/0/15 psi/kPa	PFP1079	-	PFP2327	-
30"/0/30 psi/kPa	PFP1052	-	PFP2328	-
30"/0/60 psi/kPa	PFP1053	-	PFP2329	-
30"/0/100 psi/kPa	PFP1054	-	PFP2330	-
30"/0/150 psi/kPa	PFP1055	-	PFP2331	-
30"/0/200 psi/kPa	PFP1057	-	PFP2332	-
30"/0/300 psi/kPa	PFP1058	-	PFP2333	-
0/15 psi/kPa	PFP1059	PFP1159	PFP2334	-
0/30 psi/kPa	PFP1060	PFP1160	PFP2335	-
0/60 psi/kPa	PFP1061	PFP1161	PFP2336	-
0/100 psi/kPa	<b>PFP1062</b>	PFP1162	PFP2337	-
0/160 psi/kPa	PFP1063	PFP1163	PFP2338	-
0/200 psi/kPa	PFP1064	PFP1164	PFP2339	-
0/300 psi/kPa	PFP1065	PFP1165	PFP2340	-
0/400 psi/kPa	PFP1077	-	PFP2341	-
0/600 psi/kPa	PFP1066	PFP1166	PFP2342	-
0/1,000 psi/kPa	PFP1067	PFP1167	PFP1080	-
0/1,500 psi/kPa	PFP1068	-	PFP1081	PFP1169
0/2,000 psi/kPa	PFP1069	-	PFP1082	PFP1170
0/3,000 psi/kPa	PFP1070	-	PFP1083	PFP1171
0/4,000 psi/kPa	-	-	PFP1084	-
0/5,000 psi/kPa	PFP1072	-	PFP1085	PFP1172
0/6,000 psi/kPa	-	-	PFP1089	PFP1176
0/10,000 psi/kPa	PFP1073	-	PFP1086	PFP1173
0/15,000 psi/kPa	PFP1074	-	PFP1087	PFP1174
0/20,000 psi/kPa	PFP1075	-	PFP1088	PFP1175

Other ranges and connection sizes available upon request. For scale change, refer to How to Order Guide for scale codes.

**For options, attach suffix to end of order code: i.e. PFP1064-SC for SAFETY CASE**

**Option suffix:**

6BF = 6" (150mm) Back flange

6FF = 6" (150mm) Front flange

6UC = 6" (150mm) U-Clamp

DRY = Supply 6" (150mm) gauge dry

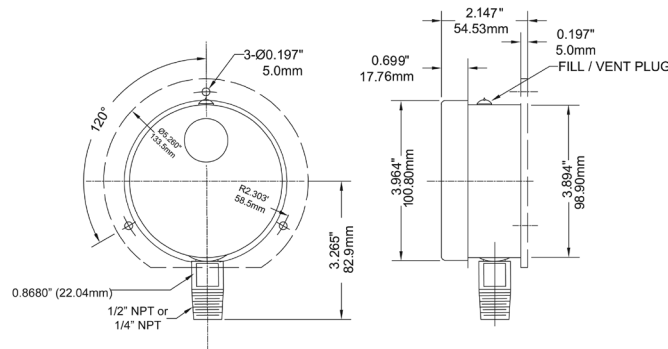
GID = Glow-in-the-dark dial

SC = 6" (150mm) Safety case

SF6 = 6" (150mm) Silicone fill

SG-6 = 6" (150mm) Safety glass lens

### 4" Bottom Connection with Back Flange



### 6" Back Connection with Front Flange

