



series 2400

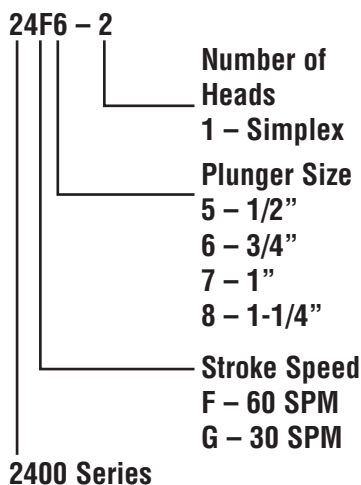
CHEMICAL INJECTION PUMPS



PRODUCT FEATURES

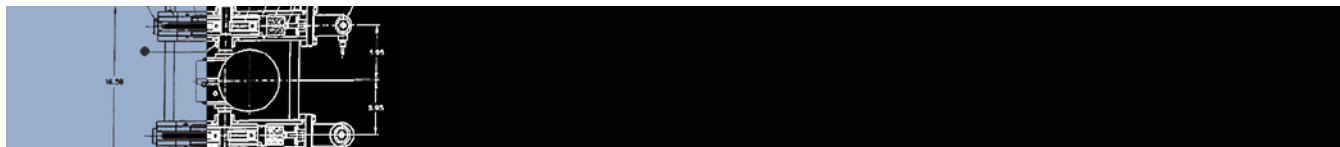
- Maximum discharge pressure: 4,000 PSI (276 bar) w/ 1/2" plunger
- Maximum volume: 880 GPD (3,331 Liters) w/ 1-1/4" plunger
- Each fluid end is adjustable while running Simplex or Duplex configuration
- Available in 2 stroke rates: 30 or 60 strokes/minute
- 1 Horsepower motor is standard (2 hp optional) 1 or 3 phase-TEFC or Explosion Proof
- Oil-less Drive Unit
- Plunger Sizes: 1/2", 3/4", 1", 1-1/4"

MODEL DESIGNATION



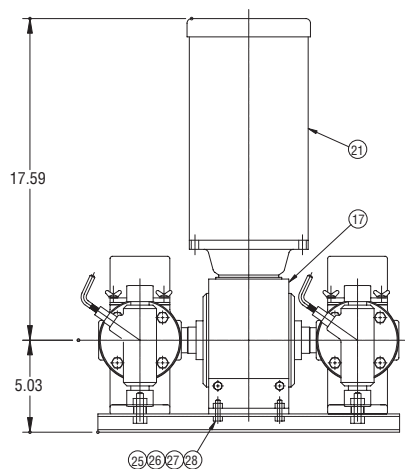
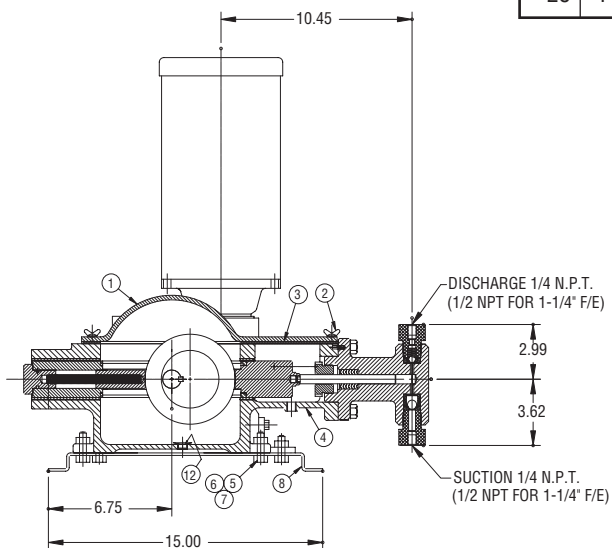
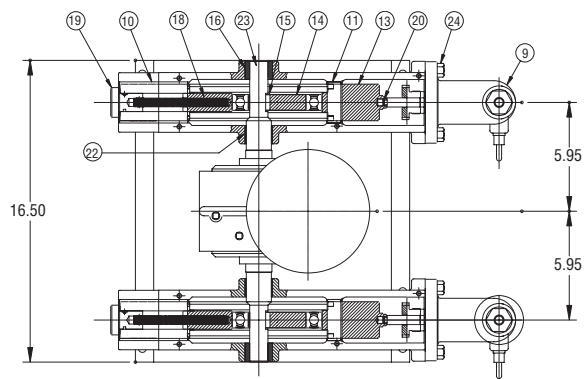
The 2400 Series chemical injection pumps are electric driven, positive displacement pumps utilizing C-faced motors and common gear reducers. The gear reducers are available in 30 or 60 strokes per minute. Four different plunger sizes provide a wide selection of volumes and pressures.

The 2400 Series is available in Simplex or Duplex configurations. They are adjustable while running and each are driven off an eccentric cam gear which requires no oil bath.



2400 Pump Assembly - Simplex

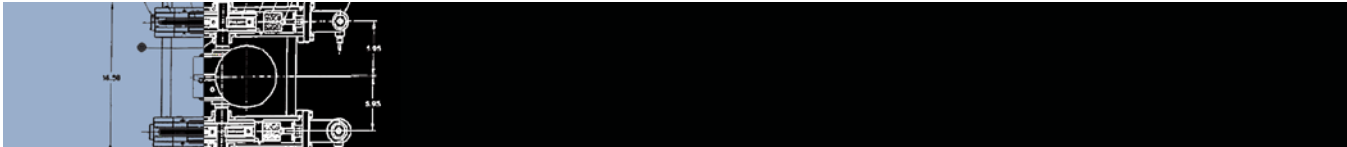
| Item | B/P No. | No. Reqd | Name | Material |
|------|-----------------|----------|--------------------------|----------------|
| 1 | TC-2150 | 2 | Cover | ASTM A48 C.I. |
| 2 | P86-025075-0200 | 8 | Thumb Screw | Cad. Pl. Steel |
| 3 | TB-1647 | 2 | Gasket Cover | Nitrile |
| 4 | TD-0528 | 2 | Housing | ASTM A48 C.I. |
| 5 | P01-050150-0200 | 4 | HHCS 1/2-13x1.50 | Cad. Pl. Steel |
| 6 | P25-050000-0200 | 4 | Nut, Hex 1/2-13 | Cad. Pl. Steel |
| 7 | P52-050000-0200 | 4 | Cut Washer 1/2 | Cad. Pl. Steel |
| 8 | TC-2165 | 1 | Base Plate | Galv. Steel |
| 9 | | 2 | Assembly F/E | 316 SS |
| 10 | TA-6474 | 2 | Cross Head Bearing Long | Rulon |
| 11 | TA-6473 | 2 | Cross Head Bearing Short | Rulon |
| 12 | TA-5966 | 2 | Screen | SS |
| 13 | TC-2152 | 2 | Cross Head Assembly | 17-4PH. SS |
| 14 | TB-1646 | 2 | Eccentric Cam Assembly | Steel |
| 15 | TA-6470 | 2 | Key | Carbon Steel |
| 16 | TA-6476 | 2 | Shaft Bearing Small | Rulon |
| 17 | TB-1648 | 1 | Reducer 30 SPM | |
| | TB-1649 | 1 | Reducer 60 SPM | |
| | TB-1650 | 1 | Reducer 120 SPM | |
| 18 | TA-6471 | 2 | Stroke Adjustor | 17-4PH. SS |
| 19 | TA-6477 | 2 | Adjusting Screw | 416 SS |
| 20 | TA-5953 | 2 | Drive Clip | Steel |
| 21 | TA-6495 | 1 | Motor (IHP-EXP Proof) | |
| 22 | TA-6475 | 2 | Shaft Bearing Large | Rulan |
| 23 | TC-2172 | 1 | Drive Shaft | 4140 |
| 24 | P01-037150-4400 | 8 | HHCS | SST |
| 25 | P01-037150-0200 | 8 | HHCS | SST |
| 26 | P25-037000-0200 | 8 | Hex Nut | SST |
| 27 | P52-037000-0200 | 8 | Lock Washer | Steel |
| 28 | P55-037000-0200 | 8 | Flat Washer | Steel |



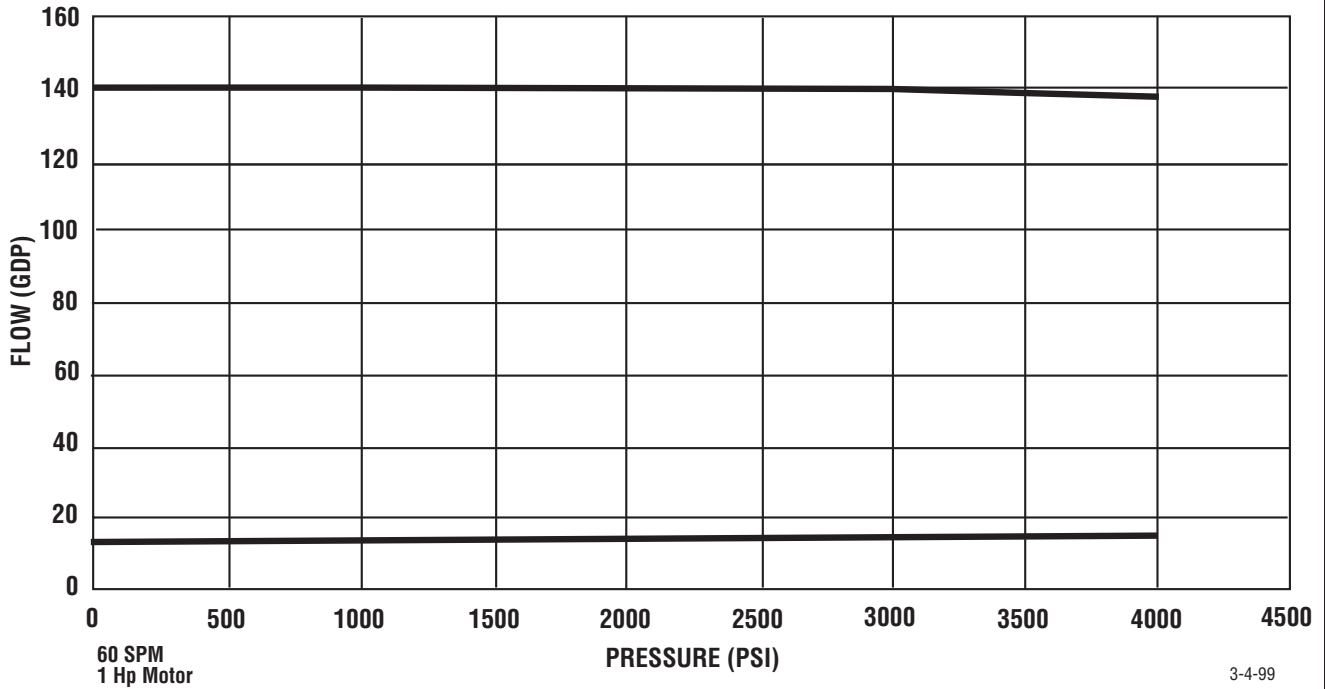
CHEMICAL INJECTION PUMPSseries **2400****2400 PUMP
FLUID END PARTS LIST**

| Item | Description | Material | Fluid End Sizes | | | |
|------|----------------------------|-----------|-----------------|-----------|-----------|-----------|
| | | | 1/2" | 3/4" | 1" | 1-1/4" |
| 1 | Fluid End Assy | 316 ss | TC 2162 | TC 2146 | TC 2147 | TC 2148 |
| | Pump Head | 303 ss | TC 2158 | TC 2142 | TC 2143 | TC 2145 |
| 2 | Discharge Bushing | 303 ss | TA 0152 | TA 0152 | TA 0152 | TA 2456 |
| 3 | Suction Bushing | 303 ss | TA 0153 | TA 0153 | TA 0153 | TA 2455 |
| 4 | Discharge Check Valve Seat | 303 ss | TB 0695 | TB 0695 | TB 0695 | TB 0695 |
| 5* | Suction Check Valve Seat | 316 ss | TB 0698 | TB 0698 | TB 0698 | TB 0698 |
| 6 | Discharge Check Ball | 316 ss | TA 0054 | TA 0054 | TA 0054 | TA 0054 |
| 7 | Suction Check Ball | 316 ss | TA 0053 | TA 0053 | TA 0053 | TA 0053 |
| 8 | Check Ball Spring | 316 ss | TA 0077 | TA 0077 | TA 0077 | TA 0077 |
| 9 | Gasket | 304 ss | TA 2350 | TA 2350 | TA 2350 | TA 2350 |
| 10 | Ball Cage | 17-4ph ss | TA 0444 | TA 0444 | TA 0444 | TA 0444 |
| 11 | Packing (Buna-n) | | TA 0959 | TA 2771 | TA 0050 | TA 0405 |
| | (Viton) | | TA 4103 | TA 4657 | TA 4658 | TA 4480 |
| | (Teflon) | | TA 1531 | TA 2988 | TA 1013 | TA 1014 |
| | (High Pressure-Buna) | TA 1874 | TA 2772 | TA 4135 | TA 4133 | |
| 12 | Packing Gland | 303 ss | TA 1219 | TA 2769 | TA 0043 | TA 6450 |
| 13 | Packing Gland Nut | 303 ss | TA 6484 | TA 2765 | TA 0047 | TA 6451 |
| 14 | Plunger | 17-4ph ss | TA 6499 | TA 6459 | TA 6460 | TA 6461 |
| 15 | Discharge Check Valve Assy | SS/Buna | TB 0368-B | TB 0368-B | TB 0368-B | TB 0368-B |
| | | SS/Viton | TB 0368-V | TB 0368-V | TB 0368-V | TB 0368-V |
| | | SS/Teflon | TB 0368-T | TB 0368-T | TB 0368-T | TB 0368-T |
| 16 | Suction Check Valve Assy. | SS/Buna | TB 0698-B | TB 0698-B | TB 0698-B | TB 0698-B |
| | | SS/Viton | TB 0698-V | TB 0698-V | TB 0698-V | TB 0698-V |
| | | SS/Teflon | TB 0698-T | TB 0698-T | TB 0698-T | TB 0698-T |
| 17 | Bleeder Valve Assy. | | TA 0123 | TA 0123 | TA 0123 | TA 0123 |
| 18* | Discharge O-Ring (Buna-N) | | TA 2097 | TA 2097 | TA 2097 | TA 2097 |
| | (Viton) | | TA 2336 | TA 2336 | TA 2336 | TA 2336 |
| | (Teflon) | | TA 6189 | TA 6189 | TA 6189 | TA 6189 |
| 19* | Suction O-Ring (Buna-N) | | TA 0612 | TA 0612 | TA 0612 | TA 0612 |
| | (Viton) | | TA 2184 | TA 2184 | TA 2184 | TA 2184 |
| | (Teflon) | | 61439P007 | 61439P007 | 61439P007 | 61439P007 |
| 20 | Gasket | 304 ss | TA 2338 | TA 2338 | TA 2338 | TA 2338 |

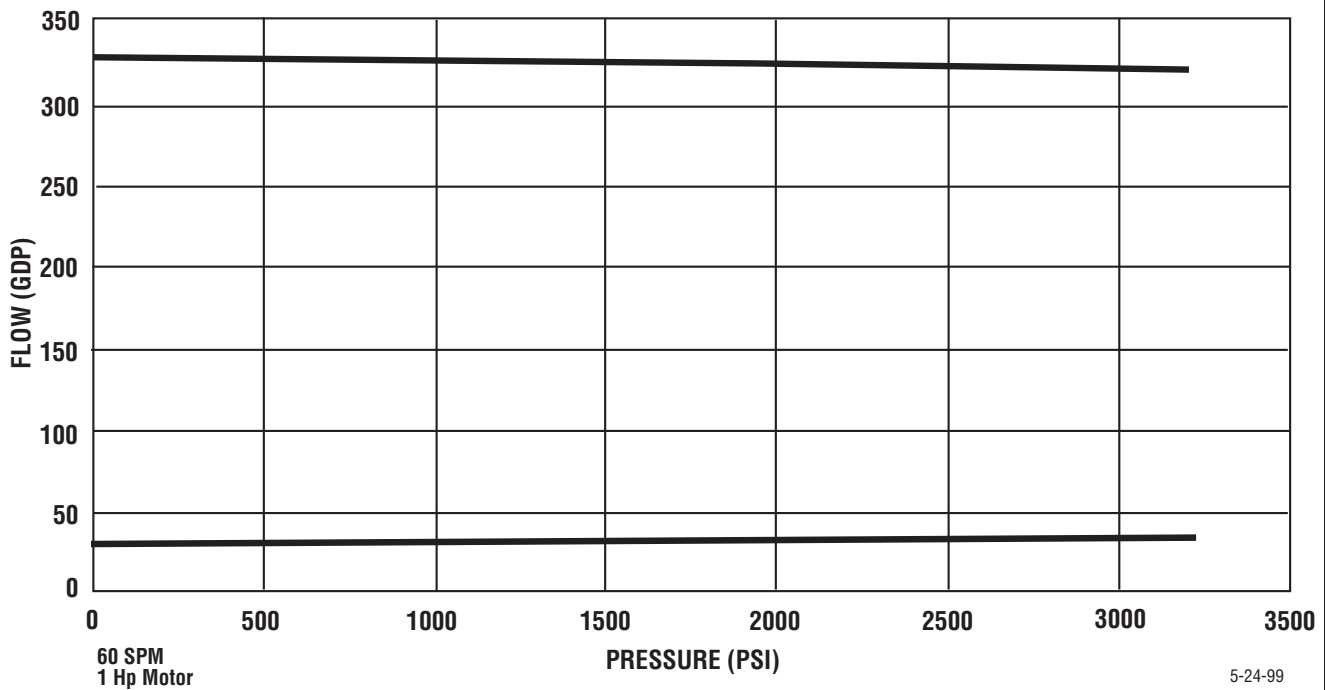
* These parts included in the Check Valve Assy. for the type of seals needed.



24F5 (1/2" Plgr) CAPACITY FLOW CHART



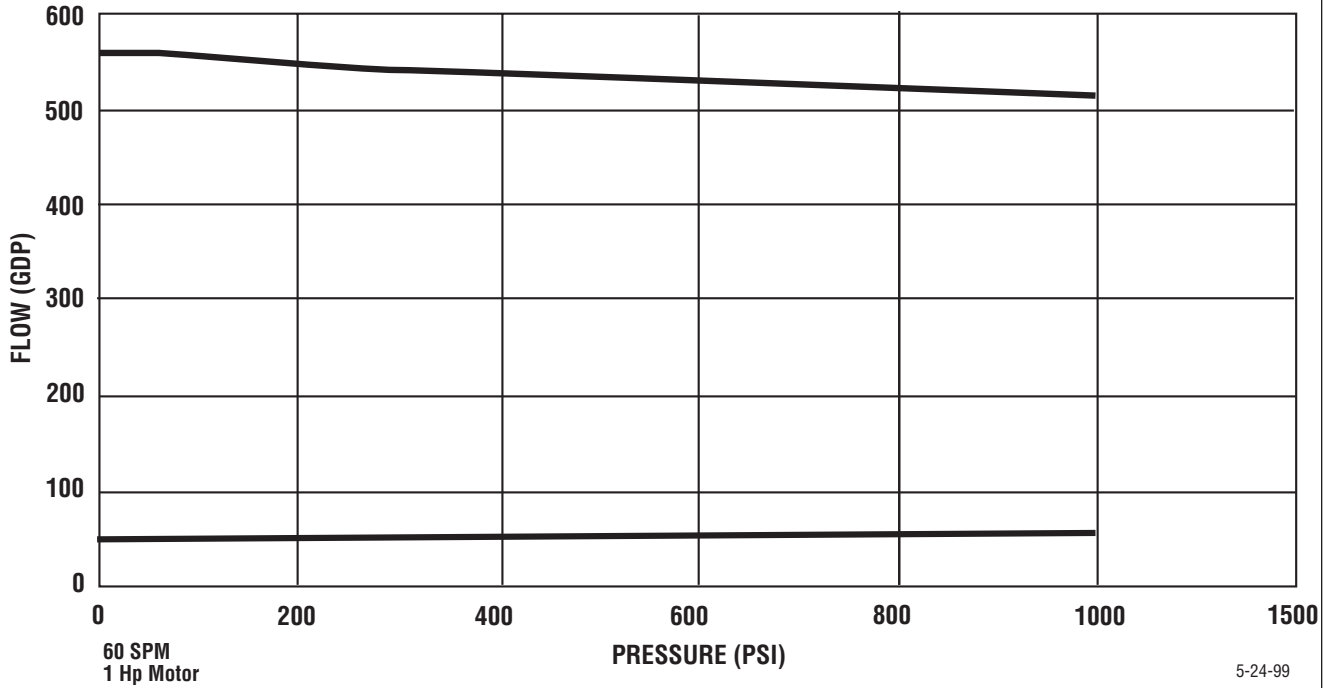
24F6 (3/4" Plgr) CAPACITY FLOW CHART



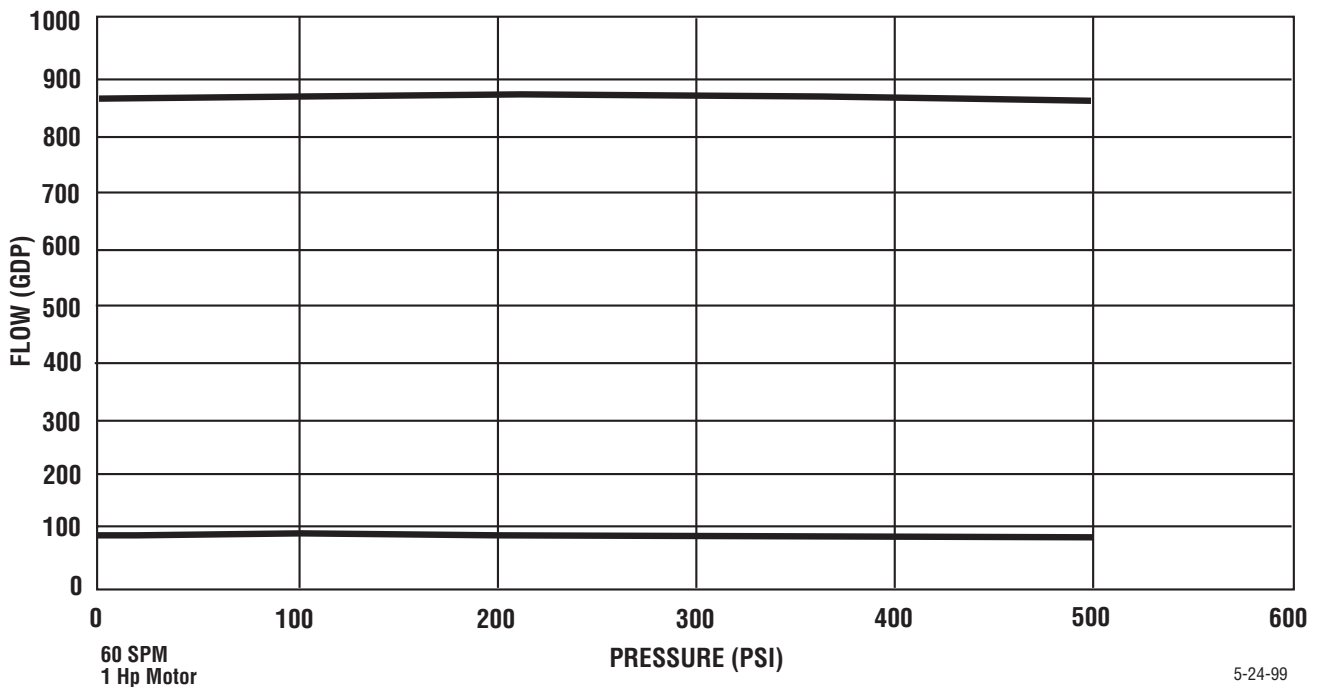
CHEMICAL INJECTION PUMPS

series **2400**

**24F7 (1" Plgr)
CAPACITY FLOW CHART**

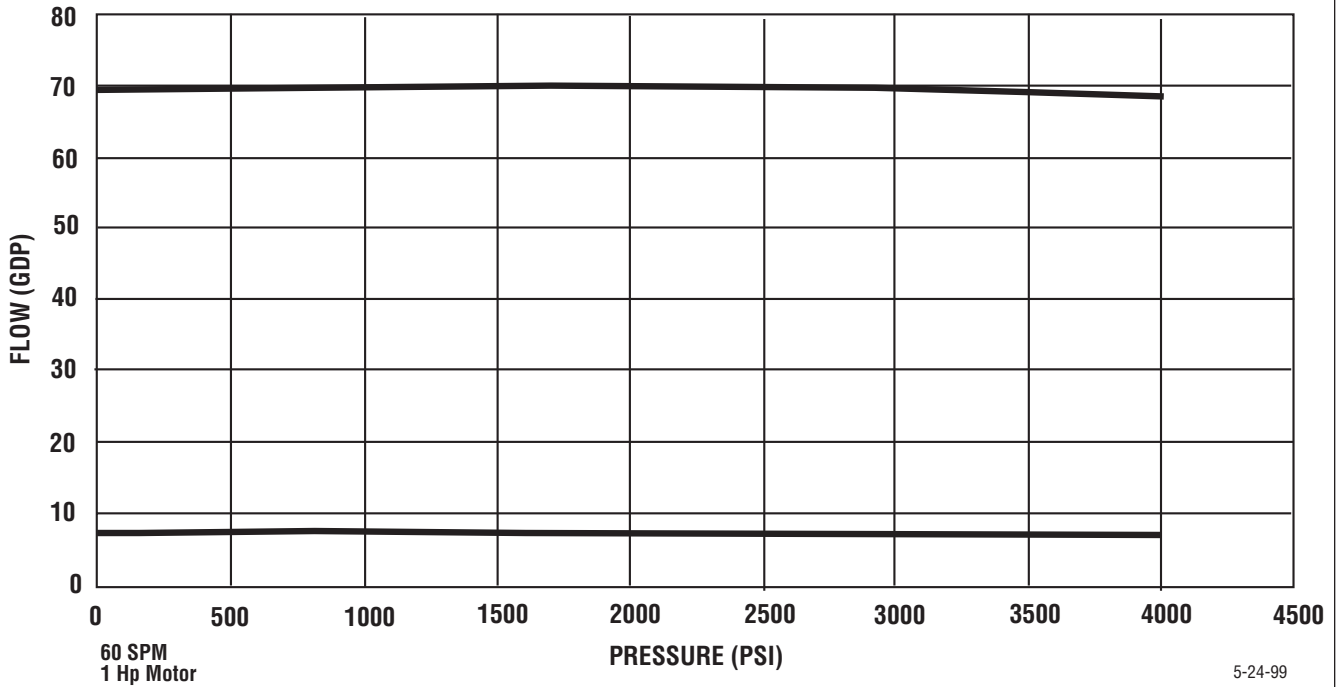


**24F8(1-1/4" Plgr)
CAPACITY FLOW CHART**

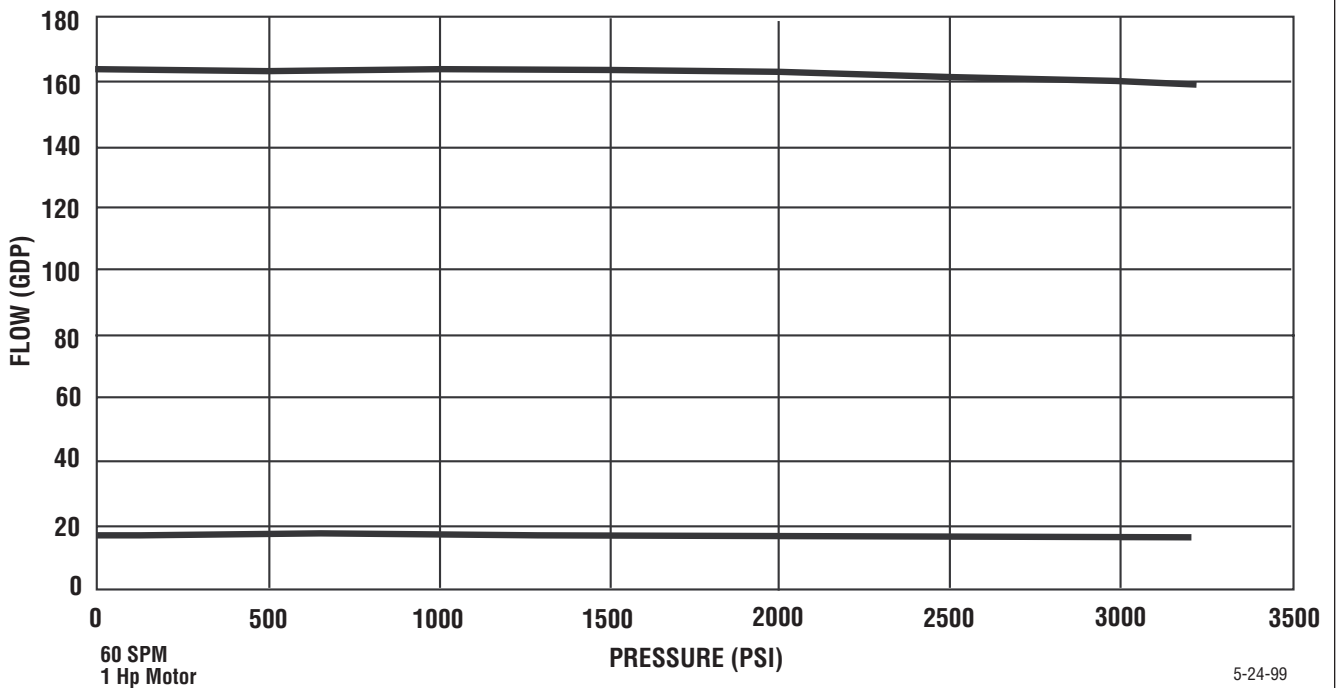




24G5(1/2" Plgr) CAPACITY FLOW CHART



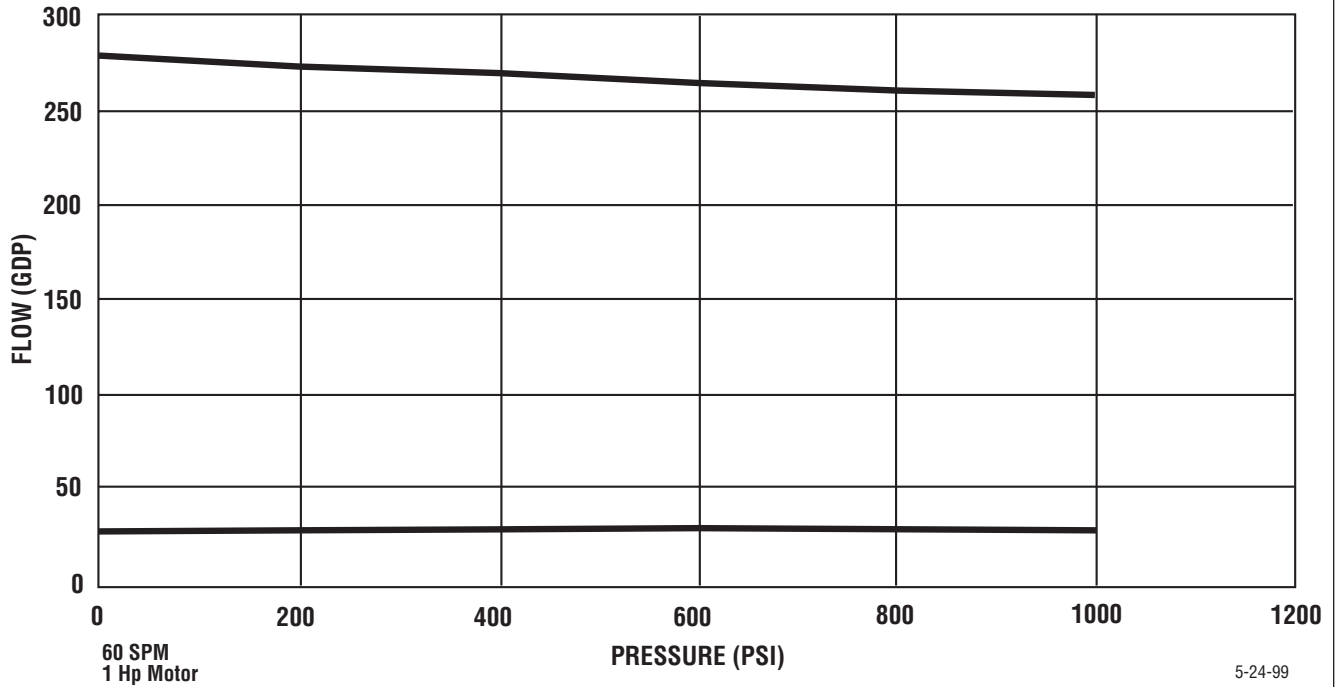
24G6(3/4" Plgr) CAPACITY FLOW CHART



CHEMICAL INJECTION PUMPS

series **2400**

24G7(1" Plgr) CAPACITY FLOW CHART



24G8(1-1/4" Plgr) CAPACITY FLOW CHART

