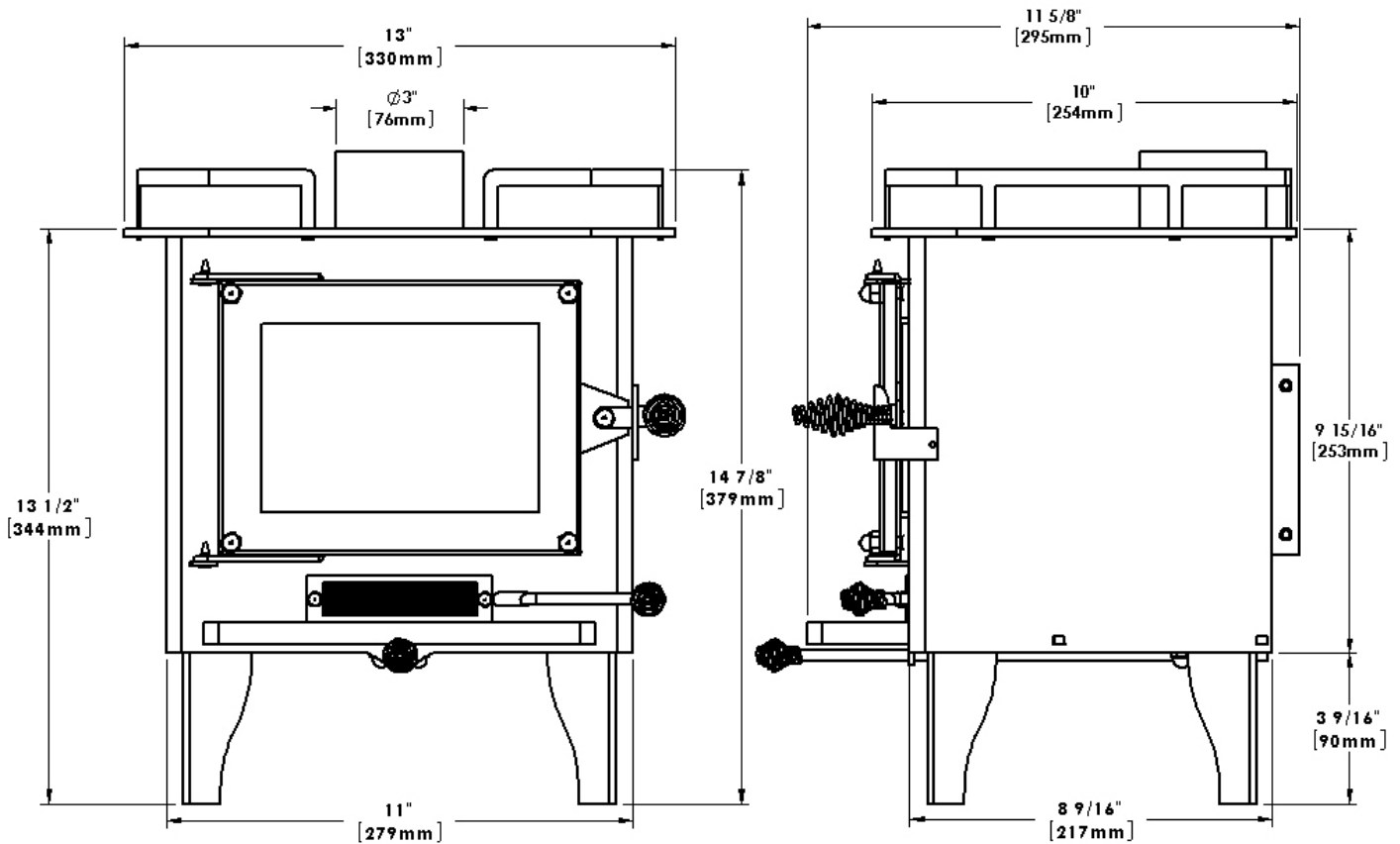


Technical Data

Model :	CB-1210-BR
Heat Output :	8000 BTU - 18,000 BTU
Flu Diameter :	3"
Minimum Flu Length :	40"
Fire Box Construction :	Double wall steel slate with inserts ceramic
Glass Material :	Ceramic
Weight :	34 lbs (15.42 kg)
Width :	13" (330 mm)
Height :	15" (381 mm)
Depth :	12" (305 mm)
Fuel :	Wood, charcoal, pressed fire logs
Door Opening :	7" x 5" (175 mm x 120)
Secondary Combustion :	Perforated vent tube
Controls :	Primary and secondary
Certifications :	N/A

Clearance to Combustibles

- Top : 20" (508 mm)
- Sides : 20" (508 mm)
- Front : 20" (508 mm)
- Bottom : 20" (508 mm) - 2.5" (63 mm) when installed
with CB-2012-SS
- Rear : 20" (508 mm) - 2.5" (63 mm) when installed
with CB-2012-SS



CB-1210