

## Featured Product: SM412-30



### A rugged and portable solution for long span applications.

The Stand Mount 412 (SM412-30) is the only product on the market with a 30' belt span that can be easily carried from location to location. The heavy-gauge aluminum stand is built tough to withstand the harshest abuse, yet at only 15 lbs. it's still light enough for easy lifting. The folding legs allow for compact storage into an 8"x9" space, and spread to provide maximum stability on rocky or uneven terrain.

### Typical Applications Include:

- ▶ Construction sites
- ▶ Airplane/bus/cruise ship loading
- ▶ Closing parking lots
- ▶ Warehouse maintenance and other long span requirements

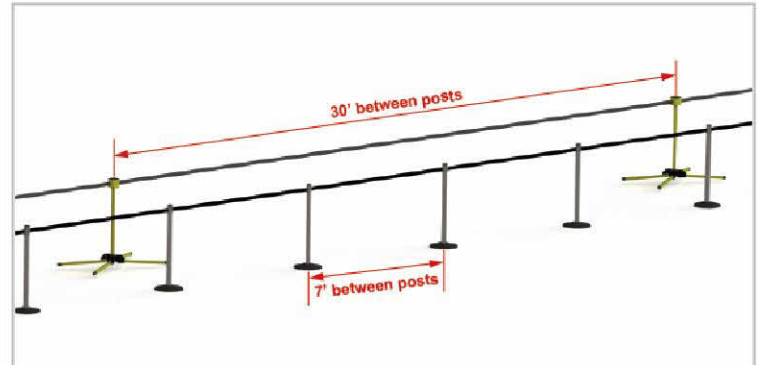
### Extremely Portable

- ▶ **Lightweight aluminum frame:** only weighs 15 lbs. making it easy to carry
- ▶ **Compact folding legs:** create a small storage footprint which is convenient for transporting in a car or truck



### Long Span Retracta-Belt®

- ▶ **Belt extends to 30 feet:** to easily cordon off large areas quickly



### Features

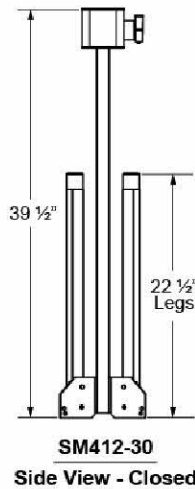
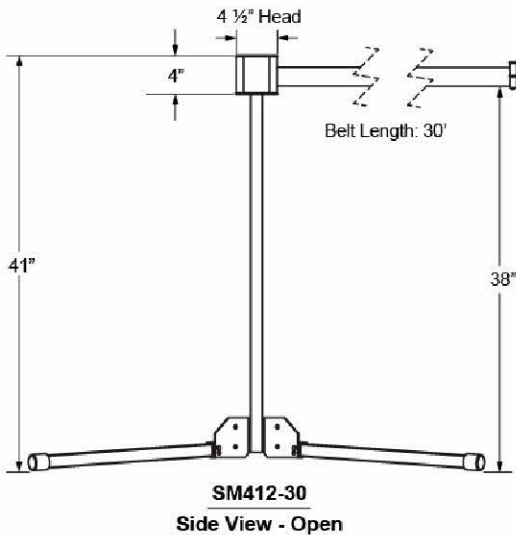
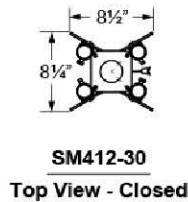
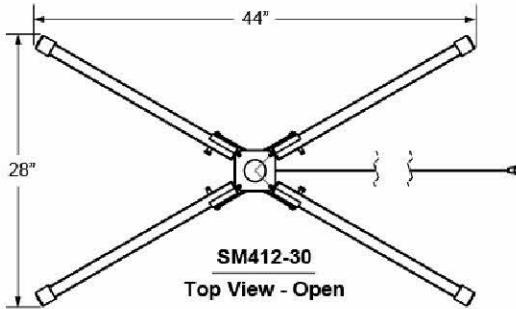
- ▶ **Outdoor-rated, heavy-duty product**
- ▶ **High-impact polycarbonate head:** greatly increases durability
- ▶ **Patent pending braking system:** creates the safest product on the market
- ▶ **Easy to transport and store:** folds in an 8"x9" area when not in use
- ▶ **Heavy-gauge aluminum stand:** very sturdy yet light enough for mobility
- ▶ **Adjustable legs:** can be used on uneven surfaces

# Post Finishes & Belt Options for 30' Stand Mount Retractable-Belt®



## Specs

|                         |                                   |
|-------------------------|-----------------------------------|
| Stand Material          | Aluminum & Steel (Powder Coated)  |
| Base Dimension (Open)   | 28" x 44"                         |
| Base Dimension (Closed) | 8-1/4" x 8-1/2"                   |
| Post Diameter           | 1-1/4" Square Tube w/ 4-1/2" Head |
| Overall Stand Height    | 41" (Includes Head)               |
| Overall Weight          | 15 lbs.                           |



Overall Weight: 15 lbs.

| Model #    | Head   | Stand           |
|------------|--------|-----------------|
| SM412-30YW | Yellow | Yellow Aluminum |

To Order Specify:  
**SM412-30** **YW** - **CAU**  
MODEL # FINISH BELT COLOR

## Stock Finishes



## Standard Belt Options

- BK - Black
- GR - Grey
- WH - White
- BN - Brown
- MN - Maroon
- RD - Red
- OR - Orange
- YW - Yellow
- GN - Green
- DG - Dark Green
- LB - Light Blue
- BL - Blue
- DB - Dark Blue
- PL - Purple
- FY - Fluorescent Yellow
- FO - Fluorescent Orange
- BW - Black/White Stripe

## Specialty Belt Options (Double Sided)

- BYD - Black/Yellow Diagonal
- RWD - Red/White Diagonal
- MYD - Magenta/Yellow Diagonal
- TLC - This Lane Closed
- CAU - Caution-Do Not Enter
- DKO - Danger-Keep Out
- NE - No Entry
- AAO - Authorized Access Only

## Custom Dye-Sub Belt Samples\*



\*Dye-Sub is not intended for prolonged exposure to UV.

*\*Due to printing limitations, colors shown may not represent actual product colors. Please call for samples if required.*