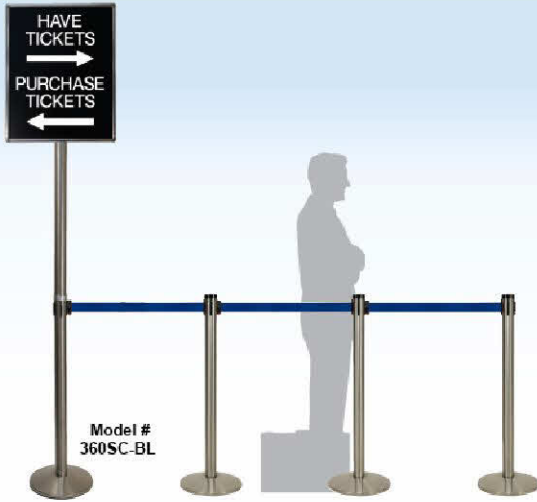


# 6' Tall Sign Post With 10' Retractable-Belt®

A sign post "head & shoulders" above the rest.



## Featured Product: Model 360/361



### Need to get some attention?

Important messages call for a big display. The Retractable-Belt® Model 360 is a 6' tall sign post that is perfect for high traffic areas that need a sign "head & shoulders" above the crowd. This unit increases your visibility and makes your messages really stand out so you can direct your customers more effectively.

The Retractable-Belt® feature allows the sign post to be integrated into queue lines.

### Easy Signage Replacement

- ▶ Designed for use with Removable Designer Series Sign Frames for easy sign replacement



### Extra Heavy Baseweight And Wheels

- ▶ **30 lbs. extra heavy baseweight (standard):** ensures stability
- ▶ **Wheels (optional):** easy transportation and quicker set-ups



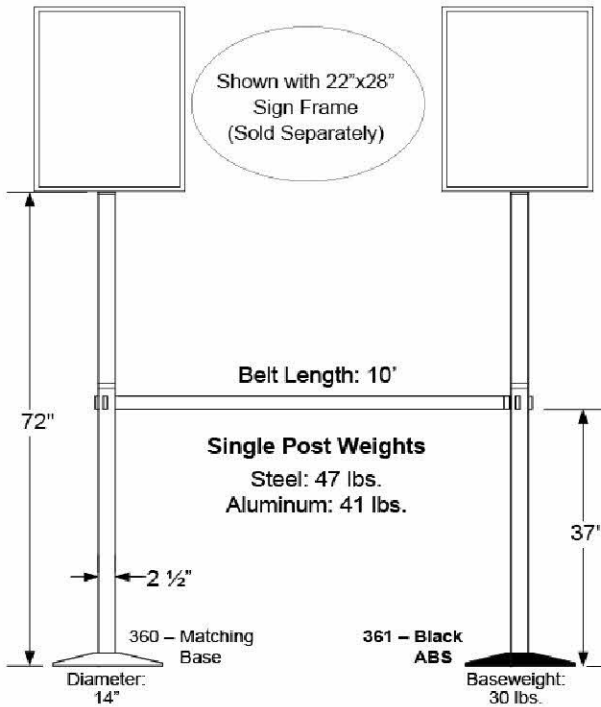
### Features

- ▶ **Increased visibility from further distances**
- ▶ **10' belt:** 43% longer than comparably priced competitors posts - less posts to buy, ship & store
- ▶ **2 piece construction:** allows easy on-site maintenance
- ▶ **High impact polycarbonate material:** greatly increases durability
- ▶ **Redesigned E-Z Back braking system:** creates the safest post on the market
- ▶ **10 year warranty**

# Post Finishes & Belt Options for 6' Tall Sign Post with Retractable-Belt®



Specs	
Post Material	Alum, Steel, Stainless Steel or Brass
Base Cover Material	ABS, Steel, Stainless Steel or Brass
Baseweight Material	30 lbs. Cast Iron w/ Floor Protectors
Post Diameter	2.5"
Base Diameter	14"
Overall Post Height	72"
Overall Weight	41 - 47 lbs.



Overall Weight: 41 - 47 lbs.

To Order Specify:  
**360 SC - BL**  
MODEL # FINISH BELT COLOR

Stock Finishes	
Black Aluminum BA	Polished Chrome PC
Yellow Aluminum YA	Satin Chrome SC
Polished Aluminum PAPC	Satin Stainless Steel SS
Satin Aluminum SASS	

☂ Can be weatherproofed for exterior use

Specialty Finishes	
Class 1 Powder Coat over Steel Posts	
Smooth Black SB	Green GN
Wrinkle Black WB	Blue BL
Charcoal CH	Brown BN
Grey GY	Beige BG
White WH	Silver Vein SV
Red RD	Gold Vein GV

200+ Colors Available at NO Additional Cost

Class 2 Brass Plating over Steel	Class 3 Solid Brass	Class 4 Wood, Marble, Camouflage, Etc.
Polished Brass Plated PB2	Polished Brass w/ Clear Coat PB3	
Satin Brass Plated SB2	Satin Brass w/ Clear Coat SB3	
Statuary Bronze Plated SBZ2	Statuary Bronze w/ Clear Coat SBZ3	

☂ Can be weatherproofed for exterior use

Specialty finishes require a minimum order of 5 pieces and a 2 week lead time. Call if quicker delivery is needed.

Standard Belt Options	
BK - Black	GN - Green
GR - Grey	DG - Dark Green
WH - White	LB - Light Blue
BN - Brown	BL - Blue
MN - Maroon	DB - Dark Blue
RD - Red	PL - Purple
OR - Orange	FY - Fluorescent Yellow
YW - Yellow	FO - Fluorescent Orange
	BW - Black/White Stripe

Specialty Belt Options (Double Sided)	
	BYD - Black/Yellow Diagonal
	RWD - Red/White Diagonal
	MYD - Magenta/Yellow Diagonal
	TLC - This Lane Closed
	CAU - Caution-Do Not Enter
	DKO - Danger-Keep Out
	NE - No Entry
	AAO - Authorized Access Only



\*Due to printing limitations, colors shown may not represent actual product colors. Please call for samples if required.