

Featured Product: Model 300MG



Posts that remain in place throughout the day, without damaging your floors.

Magnetic mounted stanchions are the only semi-permanent posts that don't require drilling into your floors. This prevents queue lines from shifting throughout the day, with the added advantage of avoiding costly floor repairs when posts are no longer needed. Ideal for airports and other leased facilities.

Magnetic Base Advantages

- ▶ **Extremely strong neodymium magnets:** hold post upright and in a straight line during normal use and low/medium impacts.
- ▶ **Posts decouple from base plate with additional force:** for removal when not in use.
- ▶ **Simple installation:** VHB tape, epoxy, or a drill means a neat application and clean results.
- ▶ **Quick installation time:** save money on labor costs.
- ▶ **Same base connection as other Retracta-Belt® posts:** so you can easily convert existing portable stanchions to a magnetic mount.
- ▶ **6" diameter base cover:** small footprint for an open queuing area. No base means less tripping hazard, and more space for customers to roll luggage through the queue.
- ▶ **Post can face any direction:** so you can align your belts and reconfigure queue lines with minimal effort.

Base Plate Features

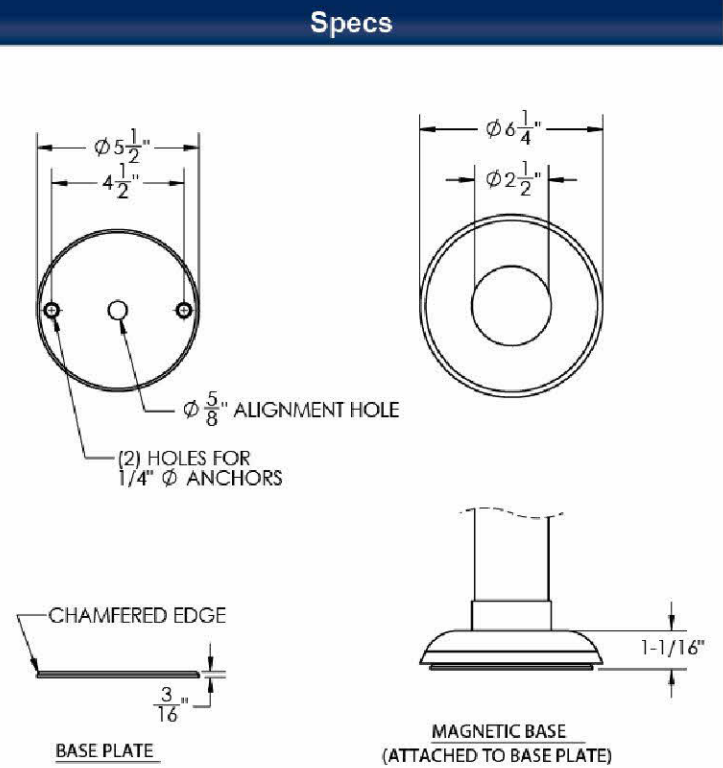
- ▶ **Chamfered edges:** prevent tripping when posts are removed.
- ▶ **5-1/2" diameter x 3/16" thick magnetic base plate.**
- ▶ **Versatile installation:** Mounts with surface adhesive to avoid damage from drilling, or can be permanently installed with screws.
- ▶ **Hole in base plate:** aligns with centering bolt in post to maintain proper positioning.



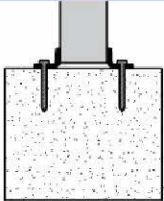
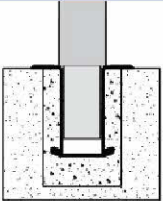
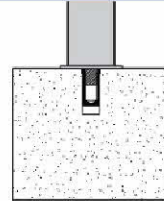
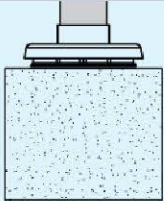
Installation Instructions for Magnetic Mount

- Lay out post locations, spacing the centerlines at least 6" less than belt length (ex: 9'6" or less with 10' belt).
- Mount magnetic base plate using desired method:
 - Epoxy or VHB Tape** (Ideal for terrazzo or ceramic)
 - Requires an extremely clean and smooth surface. Strip floors of all wax or coatings. Follow instructions on adhesive regarding application and dry time (depending on grade of epoxy and floor material, there may be some damage to floors when plates are removed).
 - Mechanical Fasteners**
 - This is the most permanent and adaptable solution. Base plate includes two holes for screws. Must use appropriate fastener for chosen mounting surface.
- Affix stanchions to base plate by aligning the centering bolt in the post to the centering hole in the base plate.

For assistance with queue layout, please contact us. Professional installation is recommended but not required.



In addition to the magnetic mount, see our other mounting options to choose the best solution for you:

	Fixed	Removable	Mini Socket	Magnetic
Summary	 5" Diameter base flange is permanently secured to flooring with 3 anchors (bolts)	 5" Diameter socket is permanently mounted in flooring. Rigid post is removable when not used	 0.75" Diameter threaded socket is permanently mounted in flooring. Spring-loaded post is removable when not used	 6" Diameter plate is permanently or semi-permanently mounted to flooring. Magnetic base allows post to be removed when not used
Installation Type	Permanent Post	Permanent Socket/ Removable Post	Permanent Socket/ Removable Post	Permanent or Semi-Permanent Plate / Removable Post
Standard Installation Method	Post Construction: (3) 0.25" dia. x 2" deep anchors	Pre-construction: Blocking locations before decking is poured, set sockets with concrete after flooring is installed	Post Construction: 0.75" dia. x 2" deep core drill, wedge or epoxy socket in place	Post Construction: (2) 0.25" dia. x 2" deep anchors to secure plate
Alternate Installation Methods	N/A	Post Construction: 4" dia. x 6" deep core drill, Set socket with cement	Post Construction: 0.75" dia. x 4.5" deep core drill	Post Construction: Epoxy or VHB Tape to secure plates directly to surface
Est. Post Install Time	15 mins.	45 mins.	10 mins.	15 mins / <5 mins
Install Difficulty	Moderate	Difficult	Easy	Moderate (Screws) Very Easy (Epoxy or VHB Tape)
Minimum Installation Depth	2"	6"	2" Standard Socket 4" Alternate Socket	2" with Anchors 0" with Epoxy or VHB Tape
Footprint of Post (In Use/Removed)	5.5" / N/A	5.5" / 5.5"	2.5" / 0.75"	6" / 5.5"
Rigidity of Post	Rigid	Rigid	Flexible: Spring-loaded up to 10 degrees	Rigid: Magnet decouples with extreme side impact/force
Available Finishes	Limited *	All	All	All
Available Models	10', 15', Dual-Line, Display	10', 15', Dual-Line, Display	10', 15', 30', Dual-Line, Display	10', 15', 30', Dual-Line, Display

*See Price Book or Fixed Mount Retractable-Belt flyer for finish options