

Featured Product: Model SM6500

Fast setup. Compact storage. Longest span protection.

Specifically designed to assist tarmac boarding and deplaning.

Built-in receiving end: accepts one loop belt end.

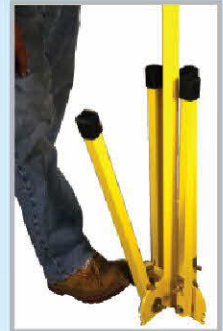
Loop belt end: simple yet durable.

Brake included: for a slow and safe belt retraction.

Thick and durable 65' belt: for extremely long span applications. It's the same webbing that's used in all our Retracta-Belt® units and proven to outlast the competitor's belt.

Heavy-duty aluminum construction: designed to withstand the outdoor elements and heavy wear and tear.

Lightweight aluminum stand: easy to transport and store.



- ▶ **Compact storage:** folds into an 8" x 8" space.
- ▶ **Quick-deploying legs:** with a foot activated lever.

Model #
SM6500YW-BYD



Additional Features

- ▶ 10 year warranty
- ▶ Unlike competitor's products, replacement components are available for on-site repair which eliminates the costly expense of shipping it back to the manufacturer.

Typical Applications

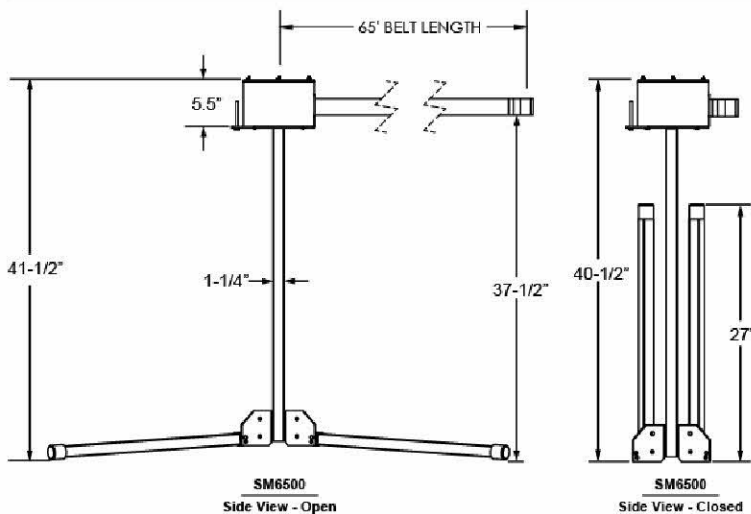
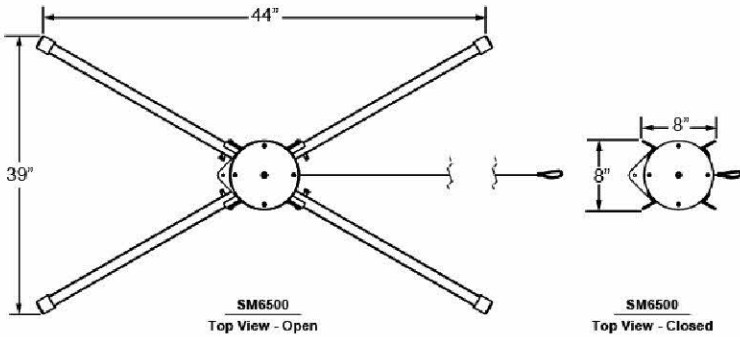
- ▶ Guiding passengers on the tarmac
- ▶ Bus & cruise ship loading
- ▶ Construction sites
- ▶ Closing parking lots
- ▶ Warehouse maintenance and other long span requirements

Post Finishes & Belt Options for 65' Retracta-Belt®



Specs

Head Material	Aluminum and Stainless Steel
Head Diameter	8"
Stand Material	Aluminum & Steel (Powder Coated)
Base Dimensions (Open)	39" x 44"
Base Dimension (Closed)	8" x 8"
Overall Stand Height	41.5" (includes head)
Overall Weight	29 lbs.



Belt End Options

Loop (standard)

Simple yet durable. Requires Model # RE6500 receiving end (sold separately).



S-Hook

Universal S-Hook belt end works without a receiving end. It can wrap around or hook into any suitable object.



Universal

Polycarbonate belt end with lock. Requires Model # RE receiving end (sold separately).



Stock Finishes



⚡ Ready for outdoor use

Standard Belt Options

	BK - Black
	GR - Grey
	WH - White
	BN - Brown
	MN - Maroon
	RD - Red
	OR - Orange
	YW - Yellow
	GN - Green
	DG - Dark Green
	LB - Light Blue
	BL - Blue
	DB - Dark Blue
	PL - Purple
	BW - Black/White Stripe

Specialty Belt Options (Double Sided)

	BYD - Black/Yellow Diagonal
	RWD - Red/White Diagonal
	MYD - Magenta/Yellow Diagonal
	TLC - This Lane Closed
	CAU - Caution-Do Not Enter
	DKO - Danger-Keep Out
	NE - No Entry
	AAO - Authorized Access Only

Custom Dye-Sub Belt Samples*



*Dye-Sub is not intended for prolonged exposure to UV.

To Order Specify:
SM6500 YW - BYD
MODEL # FINISH BELT COLOR

**Due to printing limitations, colors shown may not represent actual product colors. Please call for samples if required.*

Advanced Stanchions

Ph: (844) 831-8400 - info@advancedstanchions.com