



Your Solutions Partner

Flexible Batch Broiler Domestic Version

MODELS:

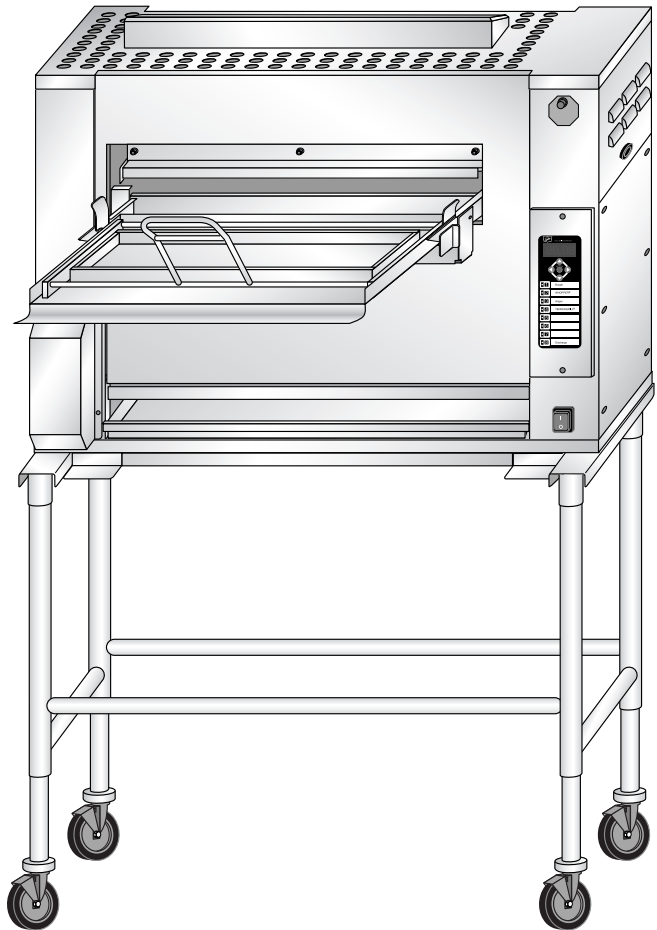
FBB-NO-120

FBB-NC-120

FBB-PO-120

FBB-PC-120

Illustrated Parts List



*This manual is Copyright © 2011 Duke Manufacturing Company. All rights reserved.
Reproduction without written permission is prohibited. Duke is a registered
trademark of the Duke Manufacturing Company.*

Duke Manufacturing Company

**2305 N. Broadway
St. Louis, MO 63102
Phone: 314-231-1130
Toll Free: 1-800-735-3853
Fax: 314-231-5074
www.dukemfg.com**

TABLE OF CONTENTS

FBB COVERS, ACCESS PANELS AND PANS	4
COMPONENTS TOP, FRONT AND CONTROL SIDE	6
COMPONENTS REAR AND DISCHARGE SIDE.....	10
STAND COMPONENTS.....	12

FLEXIBLE BATCH BROILER – DOMESTIC VERSION
MODELS FBB-NO-120, FBB-NC-120, FBB-PO-120, FBB-PC-120

Location	Part Number	Description	Quantity
1	175300	Front Panel	1
2	175444	Loader	1
3	175430	Loader Tray	1
4	175438	Loader Mounting Bracket	1
5	175429	Door	1
6	175741	Loader Ramp	1
7	175293	Flame Arrestor	1
8	175325	"V" Grease Pan	1
9	175329	Main Grease Pan	1
10	175351	Panel, Lower "J" Burner	1
11	175200	Burner Shield	1
12	175505	Burner, Tube, J Style	1
	175865	Burner, Tube, J Style (High Altitude) - (Adjustable Air Shutter)	1
13	175177	Motor Cover, Conveyor Drive Motor	1
14	175392	Panel, Right Side Upper Lift Off	1
15	175383	Panel, Access Electrical LWB	1
16	175305	Rear Access Panel	1
17	155695	Pan, PHU	A/R
18	175363	PHU Pan Shelf	1
19	175778	Discharge Hood	1
20	175358	Discharge Pan	1
21	175357	Side, Grease Pan	1
22	175340	Discharge Chute	1
23	175250	Panel, Access Discharge	1
24	175150	Pivot Ash Scraper	1
25	175226	Impedance Pan (No Optional Catalyst)	1
	175480	Catalyst, Optional (NOT SHOWN)	1
	175482	Catalyst Guard, Required With Catalyst (NOT SHOWN)	1
26	175221	Body Top	1
27	175225	Weldment, Upper Flue	1
Not Shown	175838	Weldment, Lower Flue	1

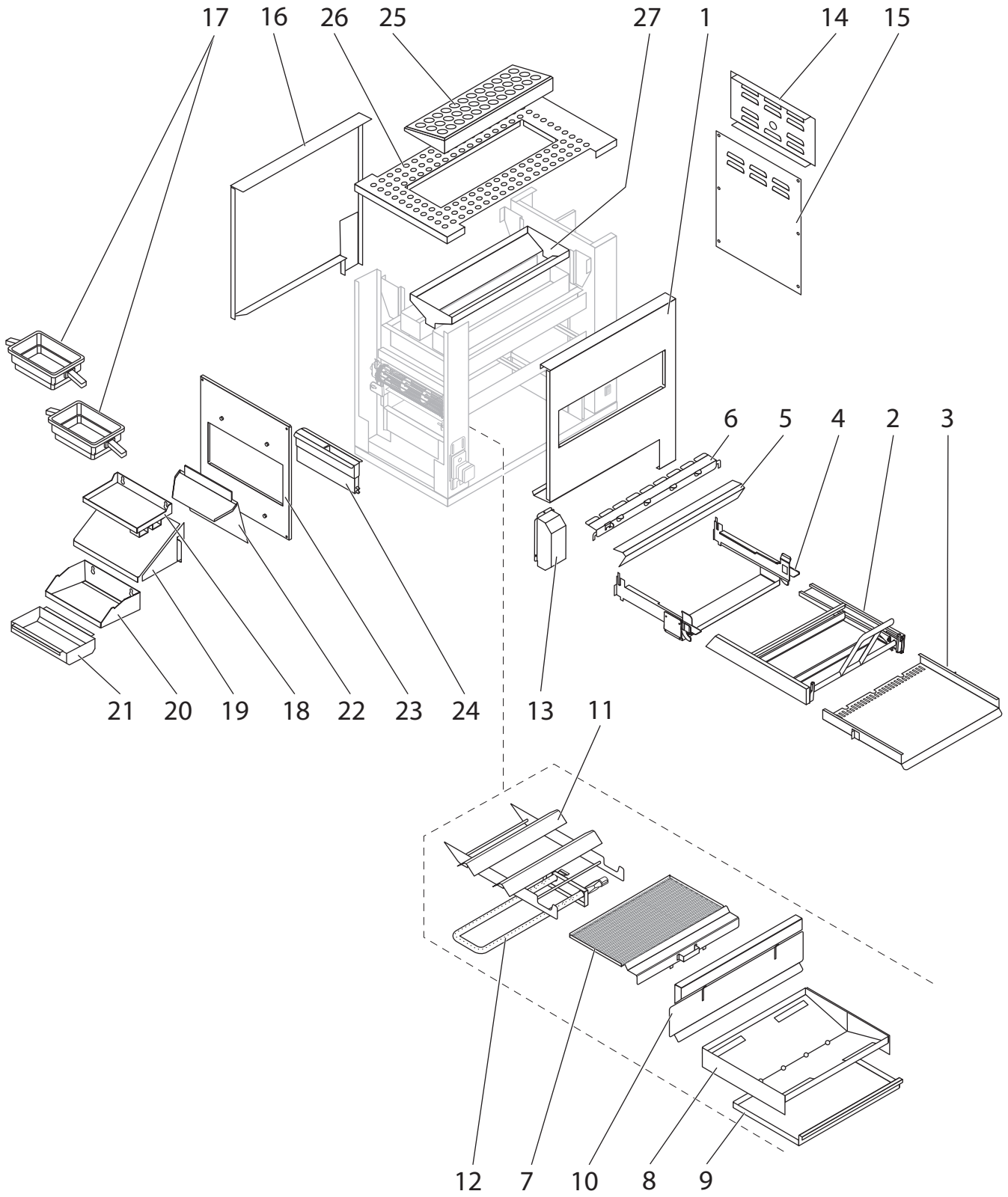


Figure: PL-1 Exploded View FBB Covers, Access Panels and Pans

FLEXIBLE BATCH BROILER – DOMESTIC VERSION
MODELS FBB-NO-120, FBB-NC-120, FBB-PO-120, FBB-PC-120

Location	Part Number	Description	Quantity
28	175066	Burner, Mounting Bracket	2
29	175504	Burner, Infrared	2
30	175506	Motor, Conveyor Drive	1
31	175176	Mounting Bracket, Conveyor Drive Motor	1
32	175517	Sprocket, B21 × 3/8 Motor	1
33	175519	Light, Cook	1
34	175503	Switch, Main Power	1
35	175536	Igniter	3
36	175086	Shaft Plate, Right Side	2
37	175525	Bushing Block, Conveyor	4
38	175038	Conveyor Shaft, Right Side	1
39	175356	Frame, Control Board Mounting Bezel	1
40	175575	Control Board	1
41	175510	Gasket, Control Bezel	1
42	175538	Ignition Suppression Cable, Lower Ignition Module	1
43	175507	Capacitor, Motor, Conveyor	1
44	175508	Ignition Module, Lower J Burner (NATURAL GAS ONLY)	1
	175770	CE Ignition Module, Natural Gas, substitute for 175508	1
	175843	Ignition Module, Lower J Burner (PROPANE ONLY)	1
	175822	CE Ignition Module, Propane Gas, substitute for 175843	1
45	175509	Ignition Module, Upper Burners	1
46	175526	Transformer, 40VA, 120VAC 24VAC	2
47	165870	Relay, Solid State	2
48	175537	Ignition Suppression Cable, Upper Ignition Module	2
49	175553	Connect Block, 3 Wire	1
50	175531	Valve, Natural Gas Combo 120VAC (Natural Gas Only)	1
	175920	Valve, LP-Gas Combo 120VAC (LP Gas Only)	1
51	175540	Brass Fitting Gas Valve to Burner Supply Tube	2
52	175545	Orifice, Holder, 3/8" Comp. Straight × Bulkhead	1
53	175823	Orifice, Lower Burner, #31 (Natural Gas)	1
	175737	Orifice, Lower Burner, #49 (Propane Gas)	1
54	175511	Gasket, Blower Inlet	1
55	175524	Blower, Dayton 60Hz 115VAC	1
Not Shown	175360	.036 Conveyor Shim	A/R
Not Shown	175727	.060 Conveyor Shim	A/R

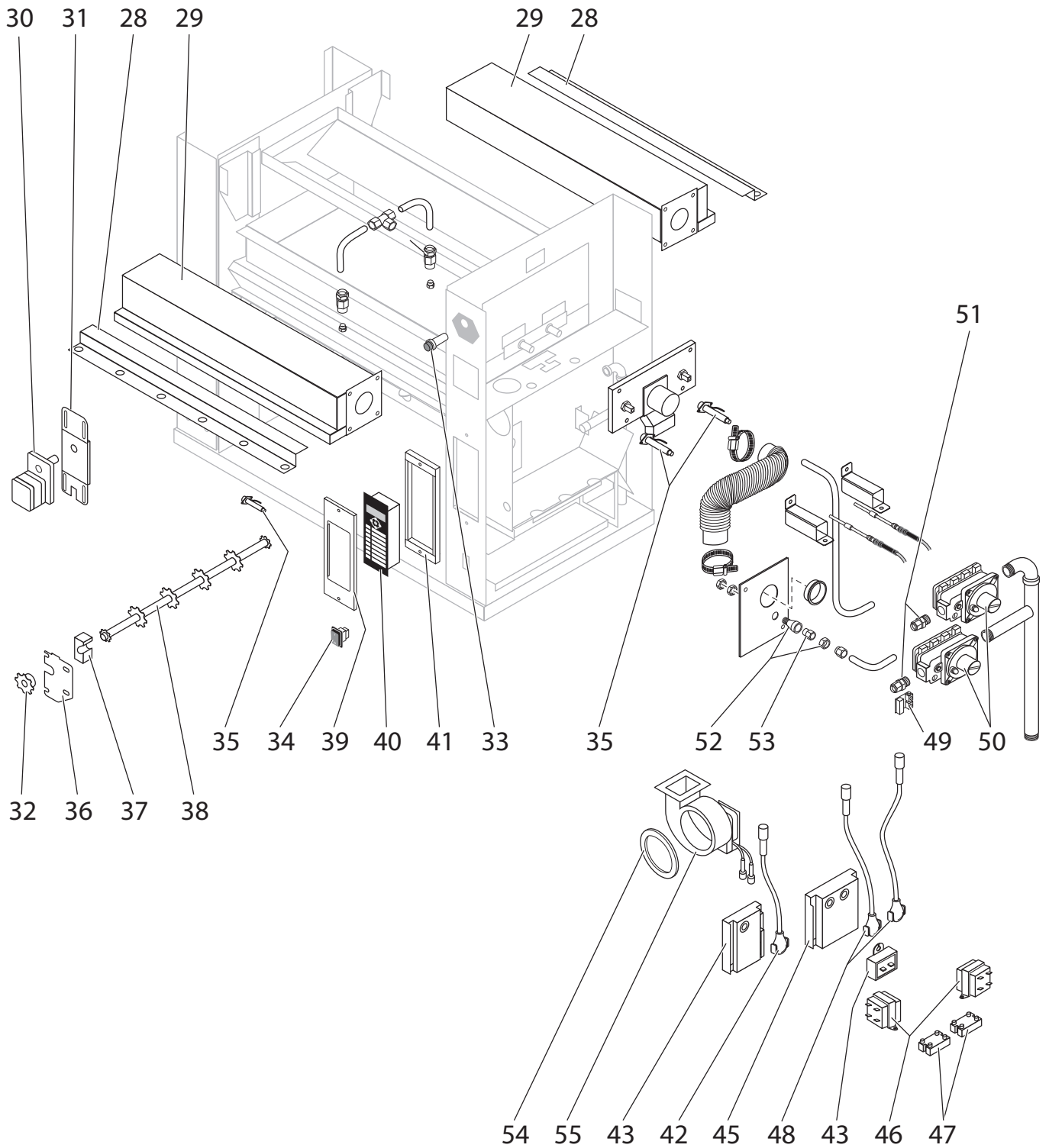


Figure: PL-2 Exploded View Components – Top, Front and Electrical Compartment Side

**FLEXIBLE BATCH BROILER – DOMESTIC VERSION
MODELS FBB-NO-120, FBB-NC-120, FBB-PO-120, FBB-PC-120**

Location	Part Number	Description	Quantity
56	175380	Shield, Ignition Cable	2
57	175477	Tubing, Tee to Valve, Kit	1
58	175535	Sensor, IR Burner	2
59	175549	Hose Clamp	2
	175197	High Temperature Tape (Not Shown in Drawing)	2
60	175189	Hose, Blower	1
61	175108	Blower Box Cover	1
62	175476	Tubing Tee to IR Kit	2
63	175541	Tee, Compression Fitting	1
64	175542	Orifice, Holder IR Burners Orifice, Holder Only, IR Burners (Additional Parts: 175547 3/8" Sleeve & 175548 3/8" Nut)	2
65	175735	Orifice, IR Front Burner #40 (NATURAL GAS)	1
	175767	Orifice, IR Front Burner #52 (PROPANE GAS)	1
66	175736	Orifice, IR Rear Burner #36 (NATURAL GAS)	1
	175768	Orifice, IR Rear Burner #51 (PROPANE GAS)	1
67	175478	Tubing, Lower Burner to Valve, Kit	1
	175612	Kit, LP Gas Conversion (NOT SHOWN)	1
68	175514	Bushing, Heyco, Shorty 1"	1
69	175376	Plate, Orifice Holder	1
70	175546	Jam Nut, Orifice Holder, Lower	2
71	175571	Piping, Gas Manifold	1
Not Shown	175656	Power Cord, Black Cable - Orange Plug	1
Not Shown	175607	Low Voltage Wire Harness Assembly	1

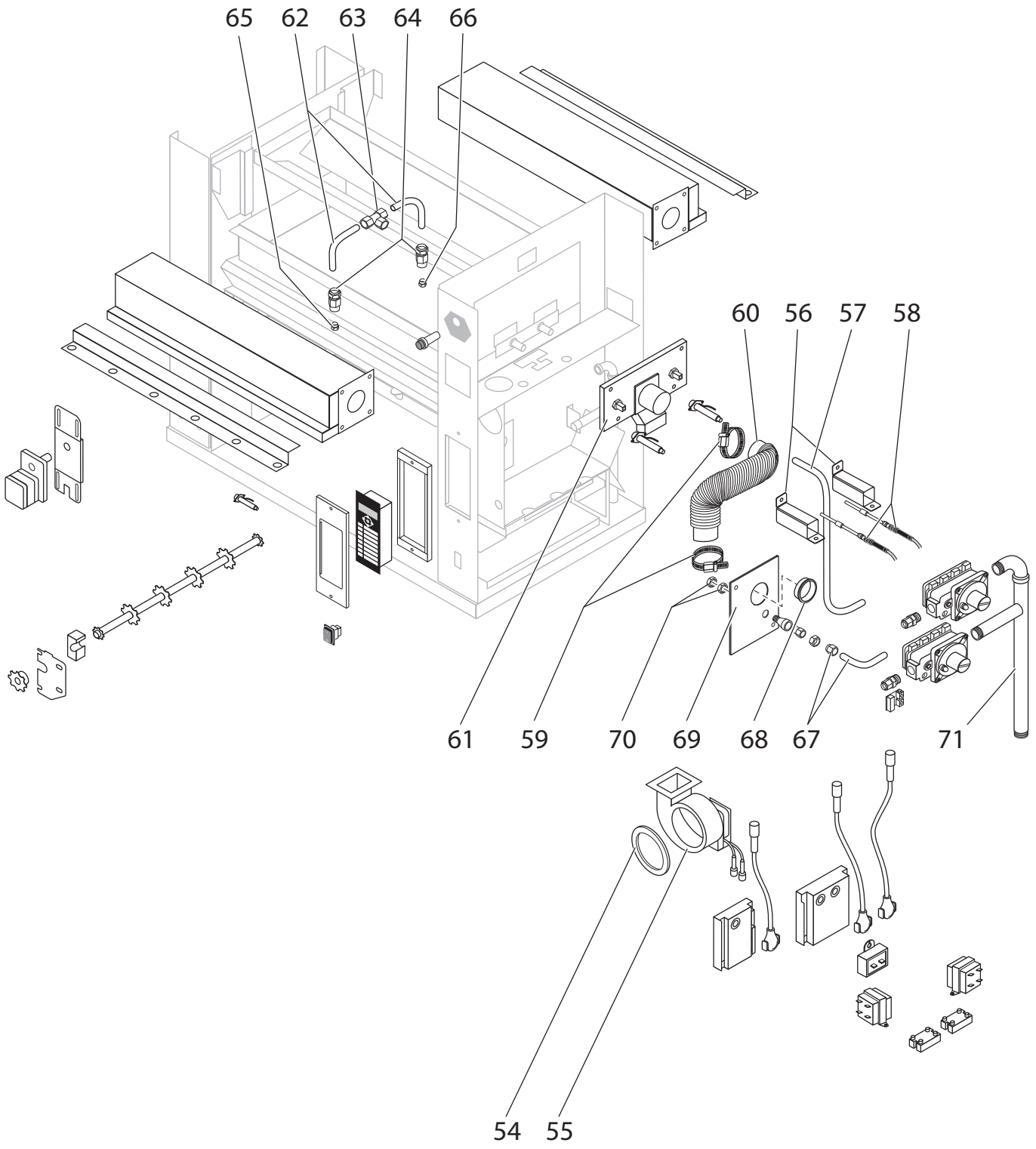


Figure: PL-3 Exploded View Components – Top, Front and Electrical Compartment Side

**FLEXIBLE BATCH BROILER – DOMESTIC VERSION
MODELS FBB-NO-120, FBB-NC-120, FBB-PO-120, FBB-PC-120**

Location	Part Number	Description	Quantity
36	175086	Shaft Plate, Right Side	2
37	175525	Bushing Block, Conveyor	4
72	175534	Sensor, Lower Burner	1
73	175977	Kit, Temperature Probe	1
74	175515	Strain Relief, Power Cord	1
75	175022	Conveyor, Bushing Block Mounting Bracket, Left Side	2
76	175037	Shaft, Discharge Side	1
77	175551	Chain, Drive	1
78	175674	Chain, Cook Conveyor	1

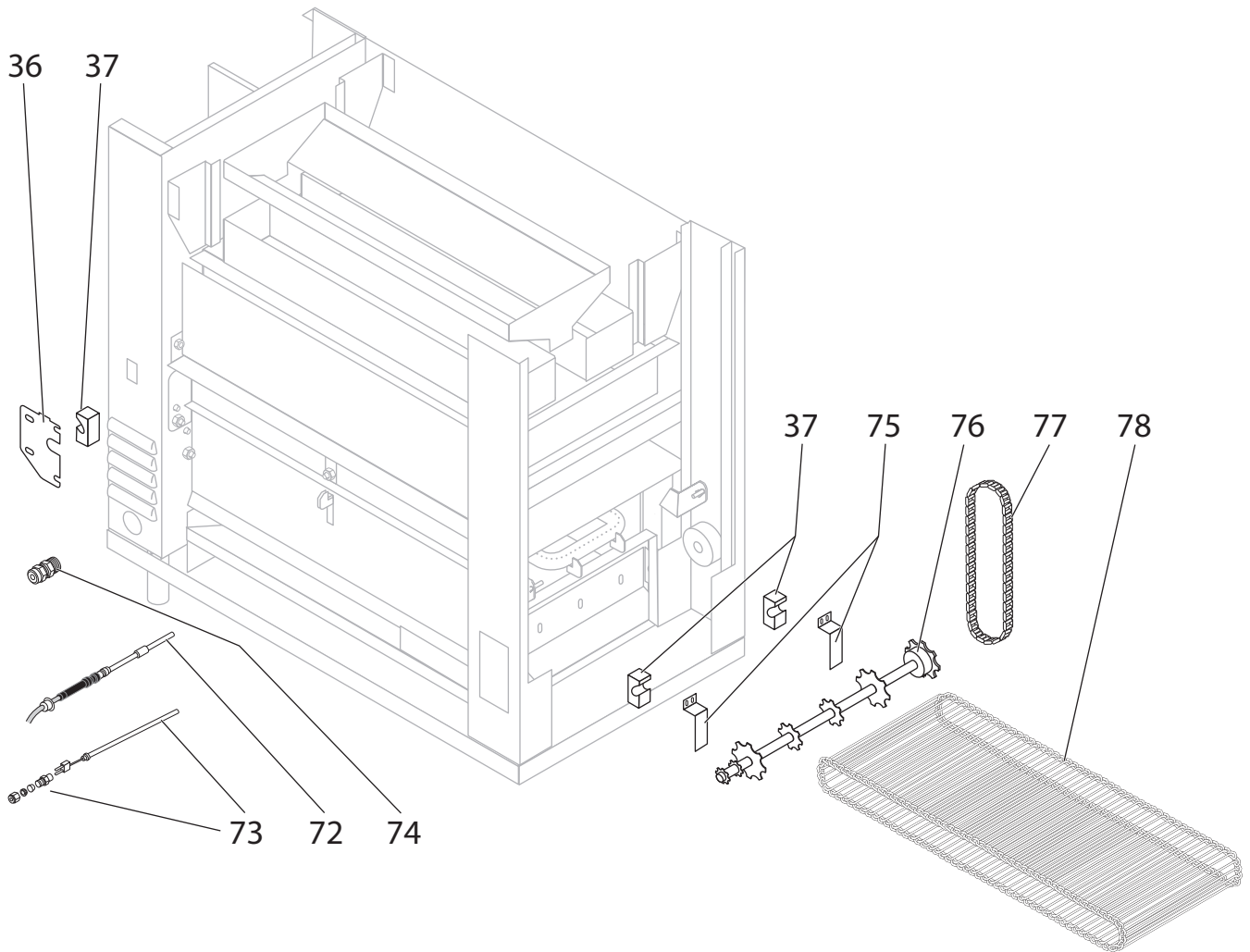


Figure: PL-4 Exploded View Components – Rear and Discharge Side

**FLEXIBLE BATCH BROILER – DOMESTIC VERSION
MODELS FBB-NO-120, FBB-NC-120, FBB-PO-120, FBB-PC-120**

Location	Part Number	Description	Quantity
79	175748	Bracket, Sanitation Pail	1
80	175842	Sanitation Pail, Red	1
81	175461	Weldment, Broiler Stand	1
82	175570	Gas Piping Kit	1
83	175565	U-Bolt	2
84	175563	Casters, Swivel, Non Braking	2
85	175562	Casters, Swivel With Brake	2
86	175485	Tube Burner Cleaning Tool	1
87	175705	Brush, Flame Rod Tube Cleaner	1
88	175701	Flame Rod Tube Cleaner	1
89	0220750	Nut, Acorn 1/4" × 20-3	4
90	175459	Saddle, U-Bolt	2
91	175618	Label, Re-lighting Instructions	1
92	175468	5/16 - 18 X 3/4 Button Head Screw	8

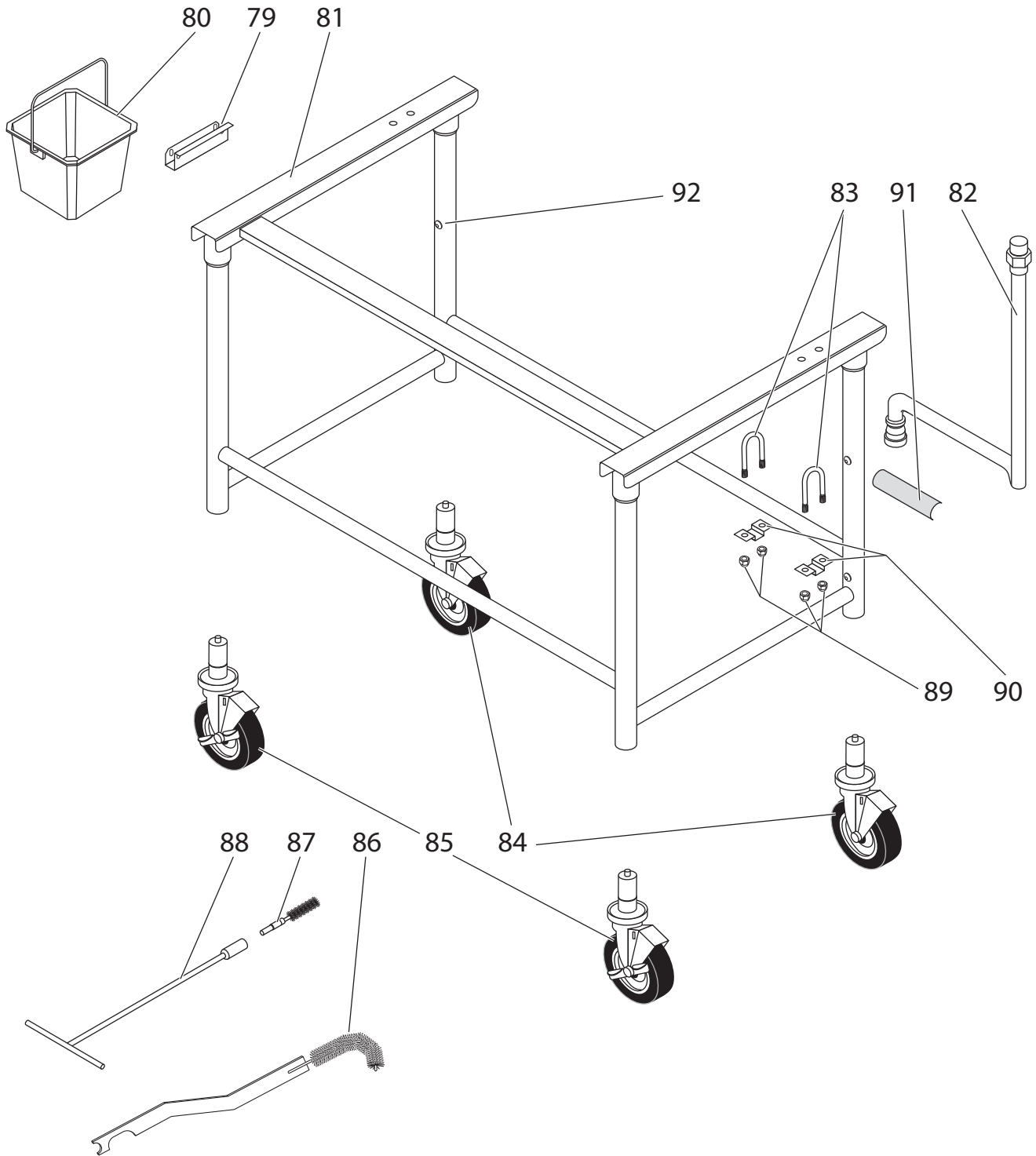


Figure: PL-5 Exploded View Components – Stand

NOTES

CUSTOMER ASSISTANCE

To aid in reporting this unit in case of loss or theft, please record below the model number and serial number located on the unit. We also suggest you record all the information listed and retain for future reference.

MODEL NUMBER _____	SERIAL NUMBER _____
DATE OF PURCHASE _____	
DEALER _____	TELEPHONE _____
SERVICER _____	TELEPHONE _____

NORTH AMERICA & LATIN AMERICA

Duke Manufacturing Company
2305 N. Broadway
St. Louis, MO 63102
Phone: 314-231-1130
Toll Free: 1-800-735-3853
Fax: 314-231-5074

UK & IRELAND

Duke Mfg UK
Duke House
Unit 10, Greendale Business Park
Woodbury Salterton
Exeter
Devon - UK EX5 1EW
Tel: 01395 234140
FAX: 01395 234154

CONTINENTAL EUROPE

Duke Manufacturing C.R. s.r.o.
Prologis Park D1 West
Building 4
Zdebradska 92
Ricany-Jazlovice, 251 01
Czech Republic
Phone: 42 (0) 257-741-033
Fax: 42 (0) 257-741-039

ASIA

Duke Food Service Equipment
(shanghai) Company Limited
1F, Building #17-2
658 Nong Jin Zhong Road
Shanghai, China 200335
Tel: +86 21 6876 9272
Fax: +86 21 33600628

TO ACCESS INTERNET: www.dukemfg.com

Please provide the following information when you write or call: model number, serial number, date of purchase, your complete mailing address (including zip code), and description of the problem.



Your Solutions Partner

Duke Manufacturing Co.

**2305 N. Broadway
St. Louis, MO 63102
Phone: 314-231-1130
Toll Free: 1-800-735-3853
Fax: 314-231-5074
www.dukemfg.com**

EU Headquarter Office

**Duke Manufacturing C.R. s.r.o.
Prologis Park D1 West
Building 4
Zdebradska 92
Ricansy-Jazlovice, 251 01
Czech Republic
Phone: 42 (0) 257-741-033
Fax: 42 (0) 257-741-039**

Duke Mfg UK

**Duke House
Unit 10, Greendale Business Park
Woodbury Salterton
Exeter
Devon - UK EX5 1EW
Tel: +44 (0) 1395 234140
FAX: +44 (0) 1395 234154**

Asia Office

**Duke Food Service Equipment (shanghai) Company Limited
1F, Building #17-2, 658 Nong Jin Zhong Road
Shanghai, China 200335
Tel: +86 21 6876 9272
Fax: +86 21 33600628**