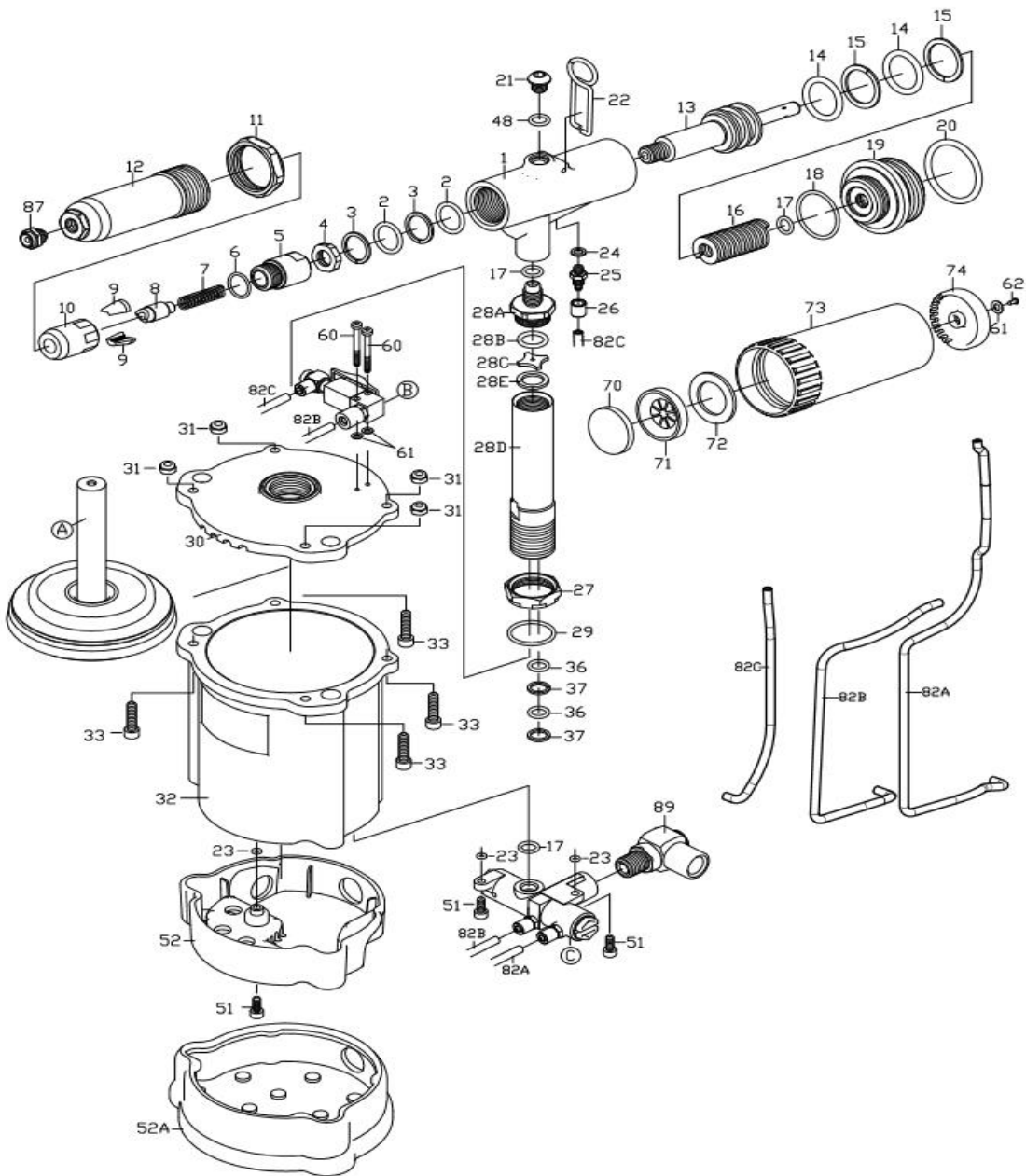
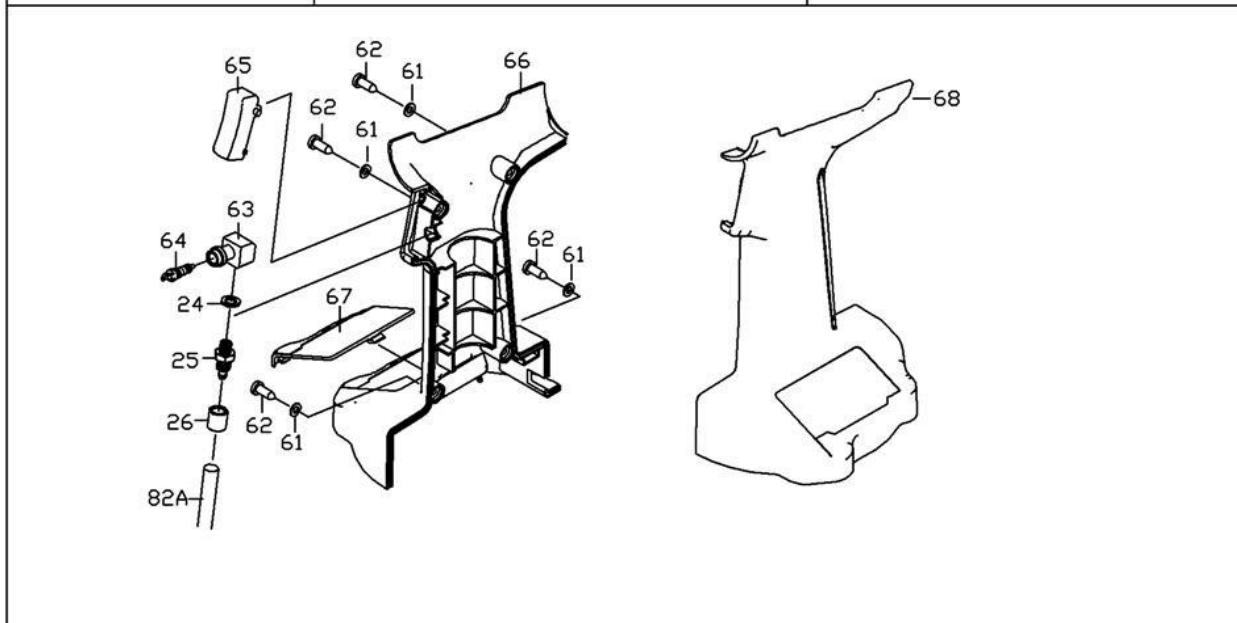
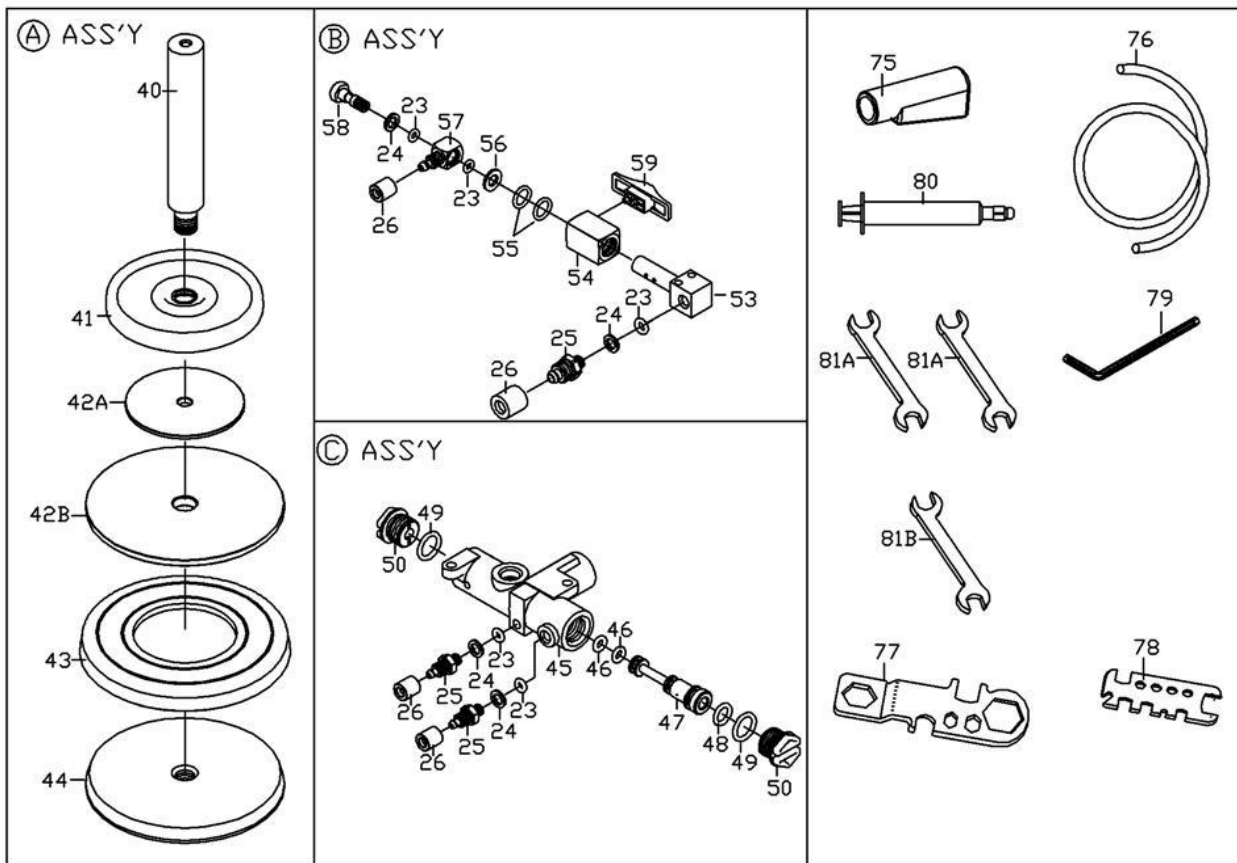


ZT1725 Air Hydraulic Riveter





TECHNICAL DATA

Traction Power	lbf(kgf)	3700(1700)
Stroke Length	mm	25
Net Weight	lbs(kgs)	5.6(2.5)
Nosepieces Equipped	inch(mm)	1/4(6.4)
Max. Capacity		Max. 1/4"(6.4mm)blind rivet in all materials

PARTS LIST

Index #	Part #	Description	Q'ty	Index #	Part #	Description	Q'ty
1	725101R	Hydraulic Section	1	44	202502	Lower Plate	1
*2	OR1823	O-RING (2)	2	45	919211	Valve Case	1
*3	BR1823	Back-Up Ring (2)	2	*46	OR0408	O-RING (2)	2
4	214306	Nut	1	47	919202A	Valve Stem	1
5	819305	Jaw Housing Coupler (for	1	*48	OR0711	O-RING	1
6	OR1417	O-RING	1	49	OR1014	O-RING (2)	3
7	819308	Spring	1	50	107409	Inlet Plug (2)	2
8	214302	Jaw Pusher	1	51	HC0040701	Set Screw (3)	3
*9	819303	Jaw (2)	2	52	202402	Base	1
10	819324	Jaw Hosing	1	52A	202404	Rubber Boot	1
11	819106	Lock Nut	1	53	922701	Vacuum Valve	1
12	819105	Head (for Blund Rivet)	1	54	922702	Sleeve	1
13	725301	Hydraulic Plunger	1	55	OR0811	O-RING (2)	2
*14	OR2835	O-RING (2)	2	56	PW0510	Washer	1
*15	BR2835	Back-Up Ring (2)	2	57	612712	Swivel	1
16	202309	Return Spring	1	58	612713	Socket	
17	OR0812	O-RING (3)	3	59	922703	Vacuum Switch	1
18	OR3034	O-RING	1	60	HC0030502	Set Screw (2)	2
19	725102	Rear Gland	1	61	PW0306	Washer (7)	7
20	OR3542	O-RING	1	62	ST0310	Screw (5)	5
21	HR00812508	Set Screw	1	63	107602	Valve Body	1
22	258801	Hanger	1	64	107601	Bleeding Valve	1
23	OR0306	O-RING (9)	9	65	107201R	Trigger	1
24	612714	Washer (6)	6	66	202107RV	Plastic Grip-Rig	1
25	612717	Socket (5)	5	67	202107C	Battery Cap	1
26	612711	Cap (6)	6	68	202107LV	Plastic Grip-Left	1
27	520106	Nut	1	70	919904	Silencer	1
28A.	5201082	Hydraulic Tube Connector	1	71	919903	Muffler Seat	1
28B	OR1417	O-RING		72	919905	Silencer	1
28C	8211012	Hydraulic Tube Washer	1	73	919901	Mandrel Collect	1
28D	2021081	Hydraulic Tube Connector	1	74	919906	Muffler Cap	1
28E	5201083	Washer		75	612901	Deflector	1
29	OR2025	O-RING	1	76	612902	PU Tube (opt.)	1
30	202401R	Upper Cover	1	77	612904	Multi-Wrench (A)	1
31	NN005080B	Nut (4)	4	78	918905	Multi-Wrench (B)	1
32	202403R	Air Cylinder Body	1	79	314755	5mm Hex. Wrench	1
33	HC00508020	Set Screw (4)	4	80	922901	Oiler	1
*36	OR1621	O-RING (2)	2	81A.	144905	17x19 Wrench	2
*37	BR1621	Back-Up Ring (2)	2	81B.	144906	19X21 Wrench	1
40	202501	Plunger Rod	1	82A	202704A	2.5x4 PU Hose	1
41	202505	Bumper Ring	1	82B	202704B	2.5x4 PU Hose	1
42A.	202504	Front Head Disc A	1	82C	202704C	2.5x4 PU Hose	1
42B	202503	Front Head Disc B	1	87	612706	Nose Piece 3/1	1
43	920505	Packing Ring	1		612708	Nose Piece 1/4	1
				89	92L2	Air Inlet Assem	1

*FREQUENCY REPLACEMENT PARTS

DATE : 2014.03.05