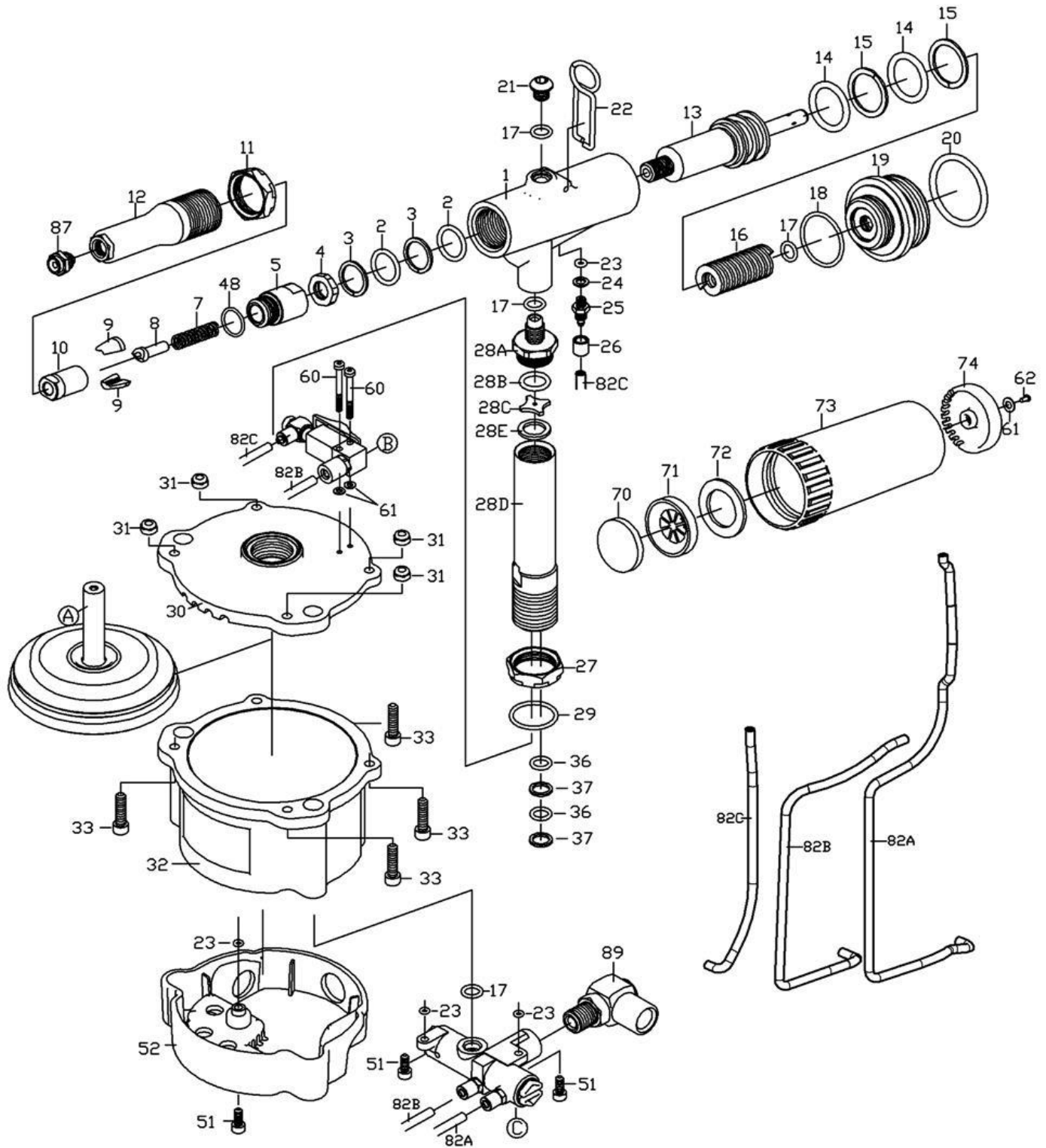
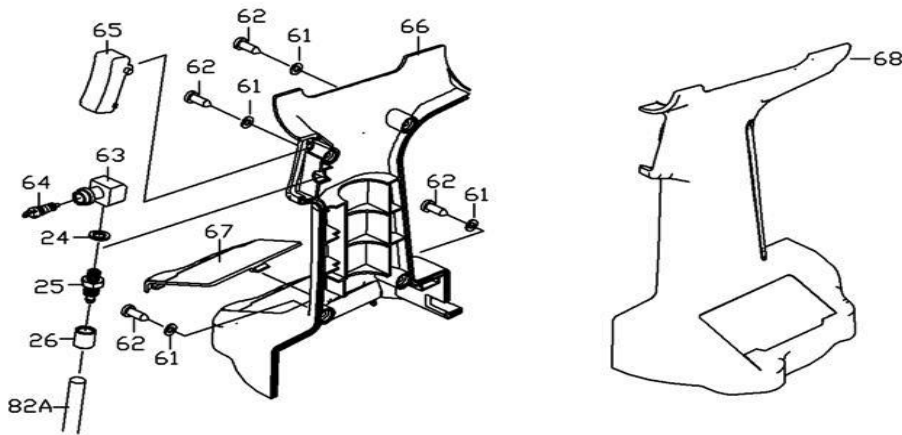
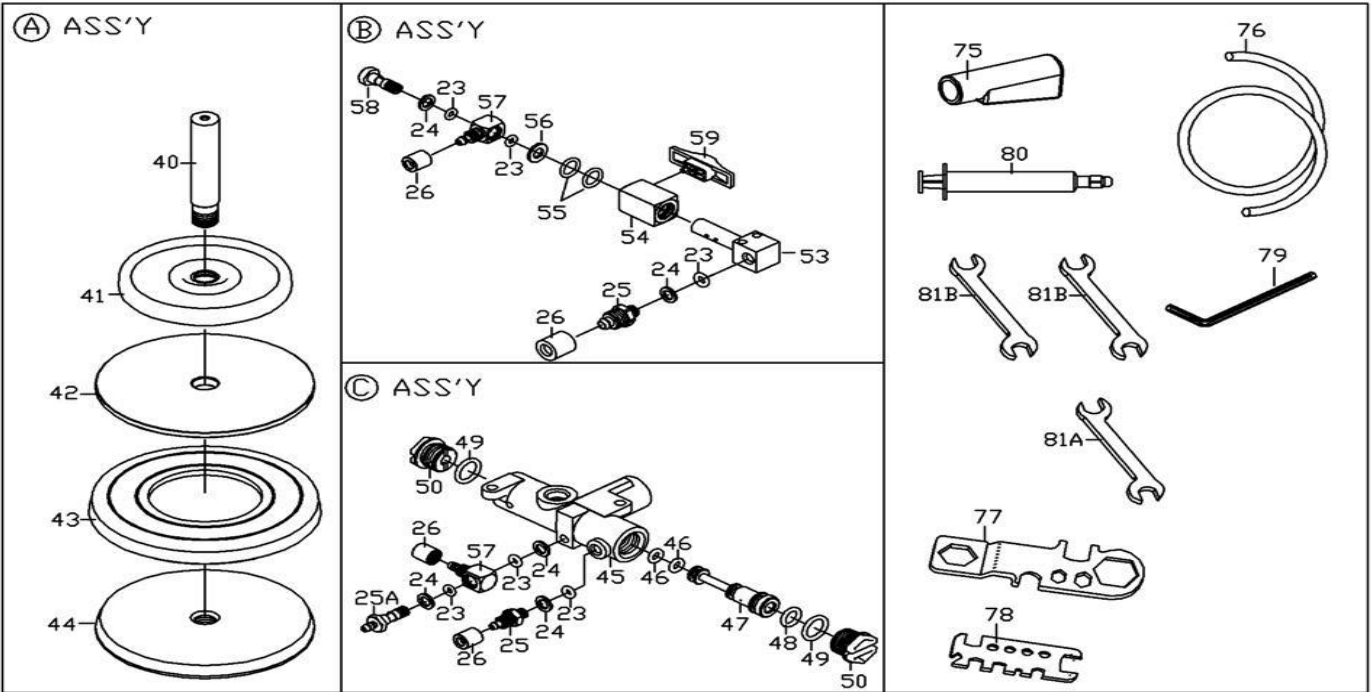


ZT0520 5/32"(4.0mm) Air Hydraulic Riveter





TECHNICAL DATA

Traction Power	lbf(kgf)	:	1100 (500)
Stroke Length	mm	:	20
Net Weight	lbs(kgs)	:	3.8(1.7)
Nosepieces Equipped	inch(mm)	:	5/32(4.0), 1/8"(3.2), 3/32" (2.4)
Max. Capacity		:	Max. 5/32"(4.0mm)blind rivets in all materials

PARTS LIST

Index #	Part #	Description	Q'ty	Index #	Part #	Description	Q'ty
1	520101R	Hydraulic Section	1	*46	OR0408	O-RING (2)	2
*2	OR2025	O-RING (2)	2	47	919202A	Valve Stem	1
*3	BR2025	Back-Up Ring (2)	2	*48	OR0711	O-RING (2)	2
4	214306	Nut	1	*49	OR1014	O-RING (2)	2
5	317305	Jaw Housing Coupler	1	50	107409	Inlet Plug (2)	2
7	317308	Spring	1	51	HC00407010	Set Screw (3)	3
8	520302	Jaw Pusher	1	52	922402	Base	1
*9	317303	Jaw (2)	2	52A	922404	Rubber Boot	1
10	520304	Jaw Hosing	1	53	922701	Vacuum Valve	1
11	918106	Lock Nut	1	54	922702	Sleeve	1
12	317105	Head	1	55	OR0811	O-RING (2)	2
13	520301	Hydraulic Plunger	1	56	PW0510	Washer	1
*14	OR2229	O-RING (2)	2	57	612712	Swivel	1
*15	BR2229	Back-Up Ring (2)	2	58	612713	Socket	1
16	922309	Return Spring	1	59	922703	Vacuum Switch	1
17	OR0812	O-RING (4)	4	60	HC00305020	Set Screw (2)	2
18	OR2832	O-RING	1	61	PW0306	Washer (7)	7
19	922102	Rear Gland	1	62	ST0310	Screw (5)	5
20	OR3542	O-RING	1	63	107602	Valve Body	1
21	HR00812508	Set Screw	1	64	107601	Bleeding Valve	1
22	258801	Hanger	1	65	107201R	Trigger	1
23	OR0306	O-RING (8)	8	66	922107RV	Plastic Grip-Right	1
24	612714	Washer (6)	6	67	922107C	Battery Cap	1
25	612717	Socket (5)	5	68	922107LV	Plastic Grip-Left	1
26	612711	Cap (6)	6	70	919904	Silencer	1
27	520106	Nut	1	71	919903	Muffler Seat	1
28A.	5201082	Hydraulic Tube Connector-B	1	72	919905	Silencer	1
28B.	OR1417	O-RING	1	73	919901	Mandrel Collector	1
28C.	8211012	Hydraulic Tube Washer	1	74	919906	Muffler Cap	1
28D.	5201081	Hydraulic Tube Connector-A	1	75	612901	Deflector	1
28E.	5201083	Washer	1	76	612902	PU Tube (OPT.)	1
29	OR2025	O-RING	1	77	612904	Multi-Wrench (A)	1
30	520401R	Upper Cover	1	78	918905	Multi-Wrench (B)	1
31	NN005080B	Nut (4)	4	79	314755	5mm Hex. Wrench	1
32	520403R	Air Cylinder Body	1	80	922901	Oiler	1
33	HC00508020	Set Screw (4)	4	81A.	144905	17x19 Wrench	1
*36	OR1621	O-RING (2)	2	81B.	144903	10X11 Wrench (2)	2
*37	BR1621	Back-Up Ring (2)	2	82A.	520704A	2.5x4 PU Hose	1
40	520501	Plunger Rod	1	82B.	520704B	2.5x4 PU Hose	1
41	202505	Bumper Ring	1	82C.	922704C	2.5x4 PU Hose	1
42	107503	Front Head Disc	1	87	612703	Nose Piece 3/32" (2.4mm)	1
43	819502	Packing Ring	1		612704	Nose Piece 1/8" (3.2mm)	1
44	107502	Lower Plate	1		612705	Nose Piece 5/32" (4.0mm)	1
45	919211	Valve Case	1	89	92L2	Air Inlet Assembly	1
				90	520SK	Service Kit (Opt.)	
						(No.02x2, 03x2, 09x2, 14x2,15x2, 36x2, 37x2, 46x2,4, 8x2,49x2)	

* Frequency replacement parts

Date : 2014.03.05