

Parts List

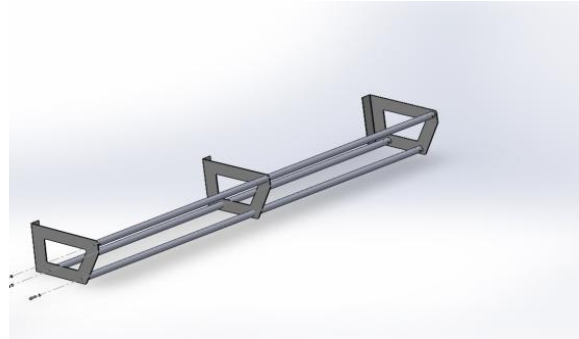
- (2) Tire Rack End Plate Left
- (1) Tire Rack End Plate Right
- (6) Tire Tube (s)
- (6) 1/4-20 x 1 BHSCS, Plated
- (6) 1/4" Split Washer, Plated
- (3) 1/4-20 Threaded couplers
- (6) Mounting Screws

KartWorkz

Tire Rack 96"

Assembly Instructions

1. Locate 1 Tire Rack End Plate, align (3) tire rack tubes with holes in Plate and thread 1/4-20 x 1" BHSCS with split washer into tube.
2. Insert threaded coupling into opposite end of tubes and locate middle plate over exposed studs.
3. Thread (3) remaining tubes onto threaded studs and twist tightly against middle plate.
4. Align final end plate and install (3) 1/4-20 x 1" BHSCS with split washer into tube.



Note: Tire Rack loads can get heavy from time to time, Due to the Over the Road Vibrations and flex inherent to trailers It is Strongly Recommended that Installation of the mounting plates are affixed to the Trailers Wall Studs.

Overall Tire Rack Dimensions are different than tire rack size ordered. Tire rack size denotes spacing between end plate Hole Pattern

Mounting Instruction

1. With Tire Rack Assembled, Determine location for Tire rack mounting within trailer, where trailer studs are available.
2. Transfer the Mounting Hole Locations to the wall Board using a pencil, ensuring Tire Rack is Level.
sive mounting.
3. Position Tire Rack and Screw in self Drilling mounting Screws to affix end Plate