

# KartWorkz

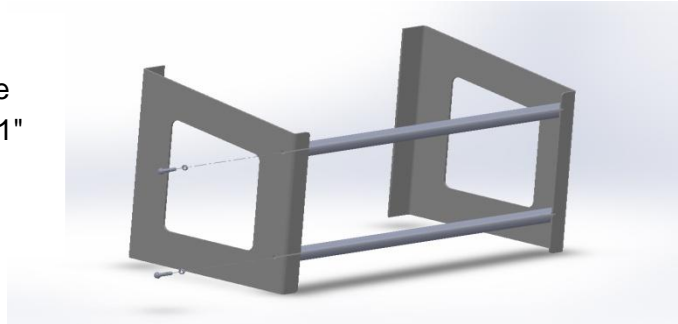
## **Parts List**

- (1) Fuel Rack End Plate Left
- (1) Fuel Rack End Plate Right
- (2) Tube (s)
- (4) 1/4-20 x 1 BHSCS, Plated
- (4) 1/4" Split Washer, Plated
- (4) Mounting Screws

## **Fuel Jug Rack**

## **Assembly Instructions**

1. Locate Fuel Rack End Plate, align tube with hole in Plate and thread 1/4-20 x 1" BHSCS with split washer into tube.
2. Repeat procedure for remaining tube



**Note: Fuel Rack loads can get heavy from time to time, Installation recommends that mounting Plates are attached to the Trailers Wall Studs.**

## **Mounting Instruction**

1. Designed to be placed on floor of trailer, Determine a location for fuel jug rack mounting, Preferably where trailer studs are available.
2. Transfer the Mounting Hole Locations to the Wall Board using a pencil, ensuring Your KartWorkz Fuel Jug Rack is level.
3. Position Fuel Jug Rack and screw in self drilling mounting screws to affix end plate.