

Sliding hardware systems for wood doors

HAWA-Junior



HAWA-Junior: All-rounder with a past and a future

HAWA-Junior has been a success for more than 20 years. It has proved itself millionfold as a comprehensive sliding hardware system for a broad spectrum of applications. However, its success with architects, designers and users is by no means just a matter of chance: a flexible, installation-friendly design, unshakable robustness and a rich palette of accessories push it automatically into the foreground wherever sliding solutions for wood, glass or metal doors are in demand. It is as innovative now as ever before – and we certainly mean to keep it that way.

Hawa AG: a seal of quality for every product

Hawa AG has been synonymous with first class processing, precision manufacturing and high quality since its foundation more than 40 years ago. Switzerland always was and still is our location of choice for all our production work.

Not least because of the fact that our business philosophy is based on typical Swiss values such as safety, precision, durability and high quality of service.



Another seal of quality: the certificate issued by the LGA Bayern, Bavaria's trade and industry institute, which has attested the high quality of workmanship and durability of many Hawa products.

Page 4 – 9
Systems

Page 10 – 13
Accessories

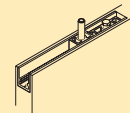
Page 14 – 15
Individual parts

Contents

Page 4 – 5

HAWA-Junior 40 – 160/B

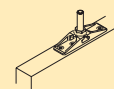
Sliding system with support profile for smallest installation height



Page 6

HAWA-Junior 40 – 80/Z

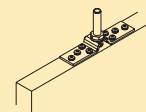
Sliding hardware with two-way suspension



Page 7

HAWA-Junior 120 – 160/A

Sliding hardware with screwed assembly bracket on top of the door



Page 8

HAWA-Telescopic 80/2 – 80/3 – 40/4

Additional hardware for telescopic opening and closing



Page 9

HAWA-Symmetric 80/Z

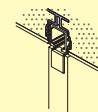
Additional hardware for symmetrical opening and closing



Page 10

HAWA-Adapto 80 – 120

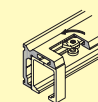
The system for setting top tracks ceiling-flush in concrete



Page 11

Angle profile

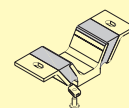
The clever wall fixing



Page 12

HAWA-SoundEx

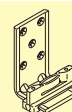
Effective insulation against structure-borne noise



Page 13

HAWA-Confort 120 – 160

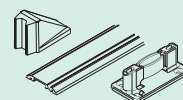
Lower guide without floor contact



Page 14 – 15

Individual parts

Systems/Supplements



Sliding system with support profile for smallest installation height

HAWA-Junior 40 – 160/B

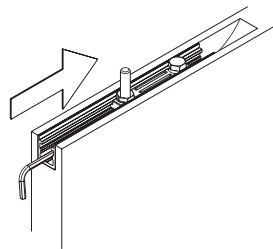
About the product

A master at sliding wood doors smoothly and elegantly: HAWA-Junior 40–160/B. This trend-setting hardware system has a suspension unit discreetly integrated into the suspension profile. The benefit to you is a very small installation height – the joint between door and top track is just 6–8 mm ($\frac{1}{4}$ – $\frac{5}{16}$ ”). HAWA-Junior 40, 80 and 120/B take things a step further, allowing the door to reach the ceiling with no gap at all. An assembly wedge makes sure no screws get in the way between top track and door.

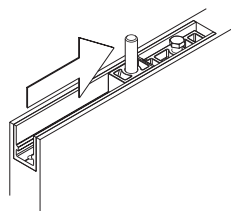
Things are looking good, and the HAWA-Junior 40–80/B has a further plus to offer in that it can unfold its excellent running properties not only in the standard anodised tracks but also in aesthetically appealing tracks with a stainless steel finish. It fits in harmoniously with the most challenging architectural ideas without the need for covers. You can, of course, expect this top class hardware to offer all the typical HAWA benefits, from easy storage to a variety of accessories.



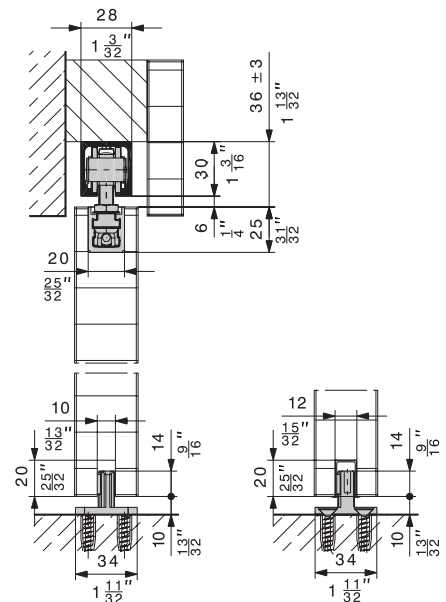
Topless: practically gapless alignment with the top track.



HAWA-Junior 40/B
With integrated assembly wedge



HAWA-Junior 80–160/B



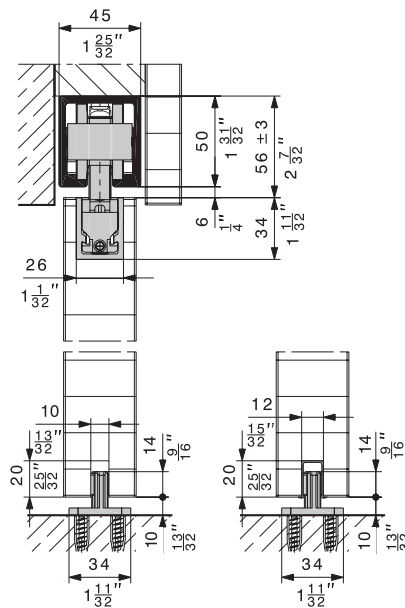
HAWA-Junior 40/B

Running properties to turn every room into a quiet place:
HAWA-Junior 160/B.

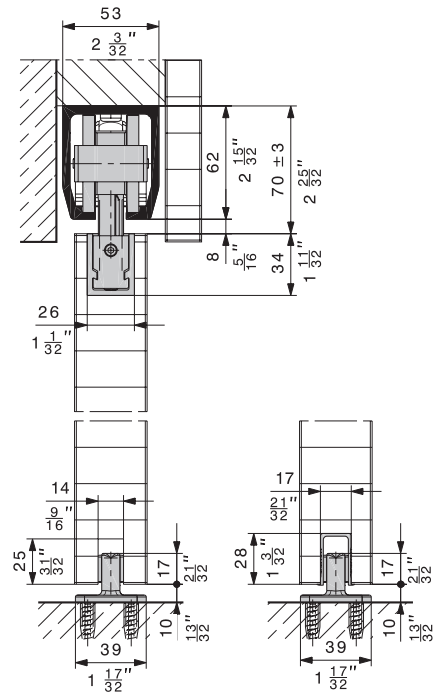
Technical specifications

Max. door weight 40 – 160 kg
(88 – 352 lbs.)

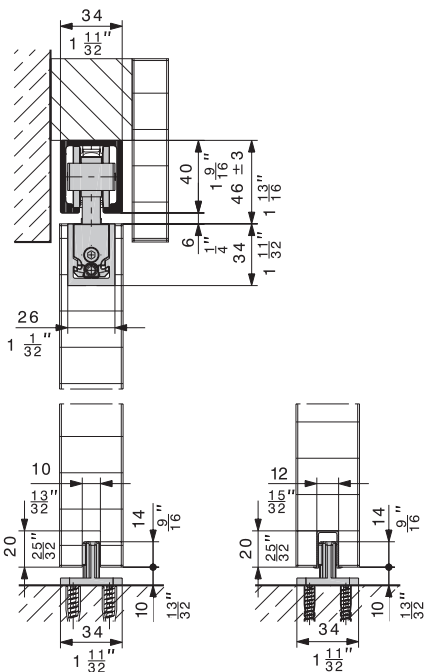
Height adjustable $\pm 3 \text{ mm}$ ($\frac{1}{8}''$)



HAWA-Junior 120/B



HAWA-Junior 160/B



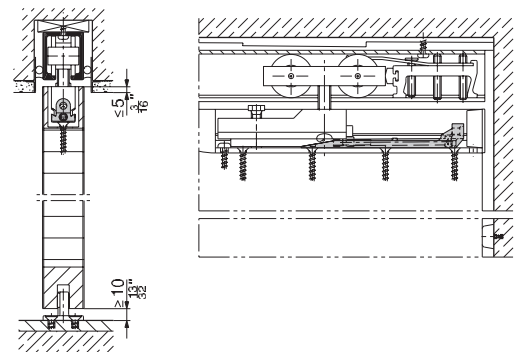
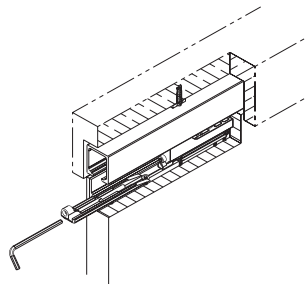
HAWA-Junior 80/B

At a glance

- High-quality, smooth-running sliding technology, proved millionfold.
- Suspension profile with suspension unit integrated in the door for minimum installation height.
- HAWA-Junior 80 and 120/B with assembly wedge for sliding doors that run seamlessly along the ceiling.
- Convenient operation thanks to an adjustable stop bumper, adaptable to suit the door weight.
- High-quality anodised top tracks, also available in an elegant stainless steel look for HAWA-Junior 40 and 80/B.
- Rattle-proof floor guide prevents any rattling caused by operation and draught.
- Based on standard components, therefore simple to store.
- Extensive accessories and a vast variety of possible applications.

Assembly wedge for HAWA-Junior 80 – 120/B

This additional part for fastening the suspension trolley from the front side enables designs with the sliding doors running in the ceiling. It also enables the doors to be mounted and demounted without removing the door trim.



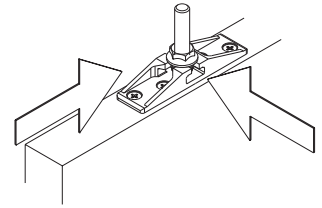
The classic hardware with two-way suspension
for lightweight sliding wood doors

HAWA-Junior 40 – 80/Z

About the product

The HAWA-Junior 40 – 80/Z, proven millionfold around the world, is the long time favourite under the sliding hardware systems. Its quality trolley runs so smoothly along the anodised tracks that it takes a pulling force of just 700 g (1.54 lbs.) to move a 40 kg (88 lbs.) door. And it is almost as easy to install it as it is to move it.

Hanging the doors, for instance, is a child's play thanks to the patented two-way suspension bracket screwed to the upper door edge. You can insert the suspension screw into the suspension unit either from the front or from the side. And things become even easier after installation. The HAWA-Junior 40 – 80/Z performs its many tasks throughout its entire life completely maintenance-free.



Sophisticated two-way suspension: the suspension screw can be inserted from the front or the side.



At a glance

- 2-roller trolleys with ball bearing technology for extra quiet running.
- Sophisticated two-way suspension allows variable door mounting and demounting.
- Stop bumper conveniently adjustable to suit the door weight.
- Rattle-proof floor guide prevents any rattling caused by operation and draught.
- Based on standard components, therefore simple to store.
- Vast range of accessories.

Technical specifications

HAWA-Junior 40/Z

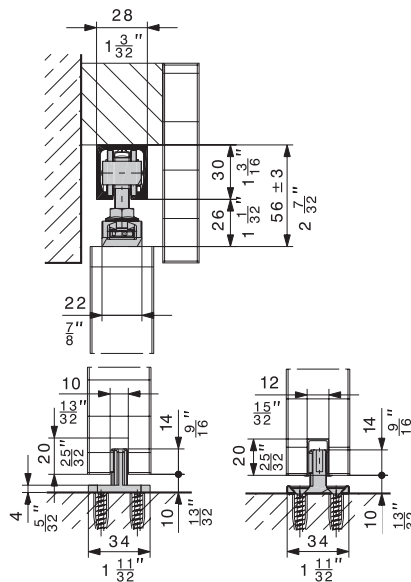
Max. door weight 40 kg (88 lbs.)

Height adjustable $\pm 3 \text{ mm}$ ($\frac{1}{8}''$)

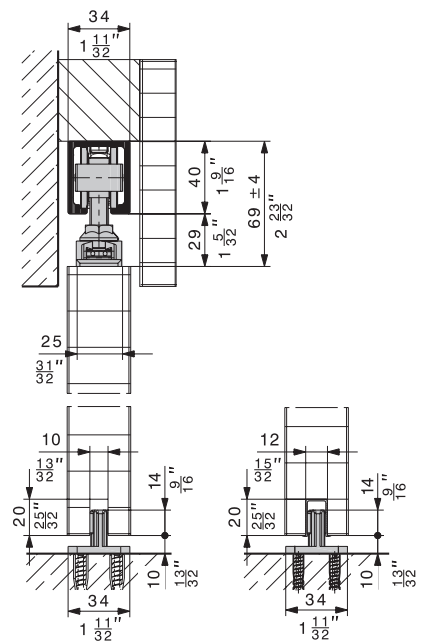
HAWA-Junior 80/Z

Max. door weight 80 kg (176 lbs.)

Height adjustable $\pm 4 \text{ mm}$ ($\frac{5}{32}''$)



HAWA-Junior 40/Z



HAWA-Junior 80/Z

The robust hardware system with a mounted installation bracket for heavy sliding wood doors

HAWA-Junior 120 – 160/A



About the product

Hardly anything can make it easier to handle sliding doors weighing between 120 and 160 kg (264 – 352 lbs.) than the HAWA-Junior 120–160/A. This robust hardware system with its high-quality suspension unit and installation bracket can move even heavy loads with great ease along the top tracks. Typical for HAWA: the well-thought out design makes it easy going, from the initial design to the final application, all thanks to benefits such as high-quality top tracks, rattle proof bottom guides, or the track stop with adjustable retaining force. No wonder, then, that this particular hardware has been in heavy duty service around the world for more than twenty years.

Technical specifications

HAWA-Junior 120/A

Max. door weight 120 kg (264 lbs.)

Height adjustable $\pm 3 \text{ mm}$ ($\frac{1}{8}''$)

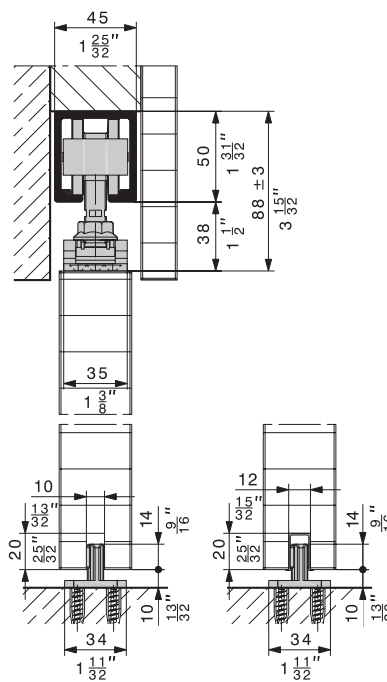
HAWA-Junior 160/A

Max. door weight 160 kg (352 lbs.)

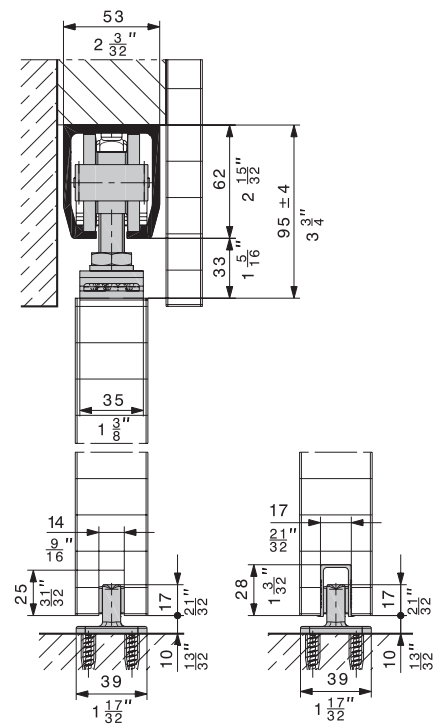
Height adjustable $\pm 4 \text{ mm}$ ($\frac{5}{32}''$)

At a glance

- High-quality HAWA sliding technology with excellent running smoothness.
- Extremely durable design with mounted installation bracket.
- Convenient operation thanks to an adjustable stop bumper, adaptable to suit the door weight.
- Rattle-proof floor guide prevents any rattling caused by operation and draught.
- Based on standard components, therefore simple to store.
- Extensive accessories and a vast variety of additional options.

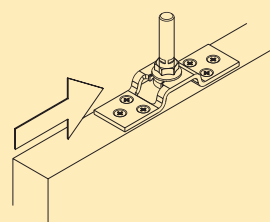


HAWA-Junior 120/A

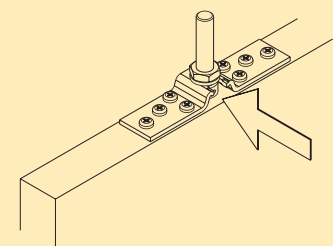


HAWA-Junior 160/A

Robust design:
Suspended by installation bracket.



HAWA-Junior 120/A



HAWA-Junior 160/A

Sliding hardware with telescope technology
for simultaneously sliding of 2, 3 or 4 sliding wood doors

HAWA-Telescopic 80/2 – 80/3 – 40/4



Technical specifications

HAWA-Telescopic 80/2, 80/3

Max. door weight 80 kg (176 lbs.)

Door width 500 – 1200 mm
(1'7 ¹¹/₁₆" – 3'11 ¹/₄")

Height adjustable ± 2 mm (³/₃₂")

HAWA-Telescopic 40/4

Max. door weight 40 kg (88 lbs.)

Door width 500 – 800 mm
(1'7 ¹¹/₁₆" – 2'7 ¹/₂")

Height adjustable ± 2 mm (³/₃₂")

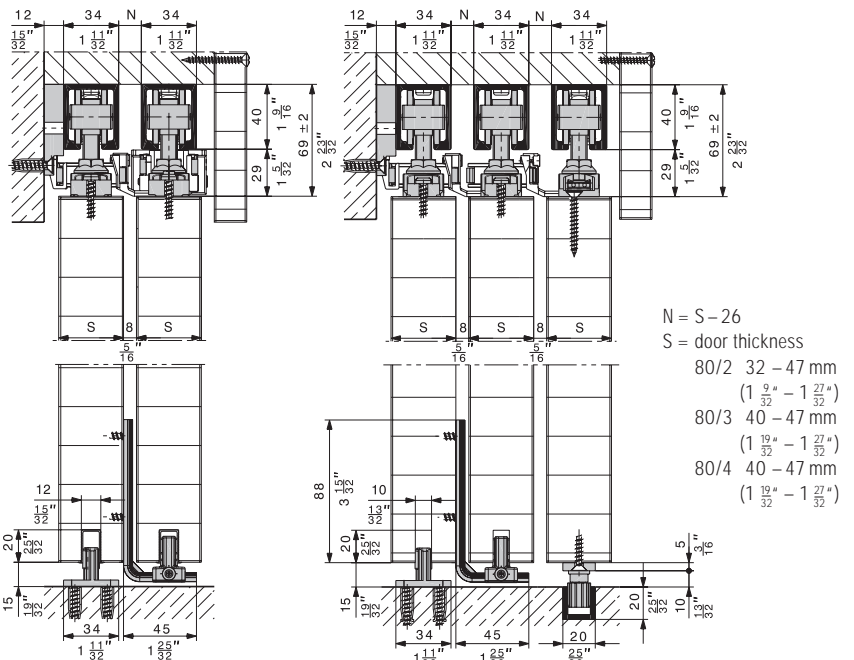
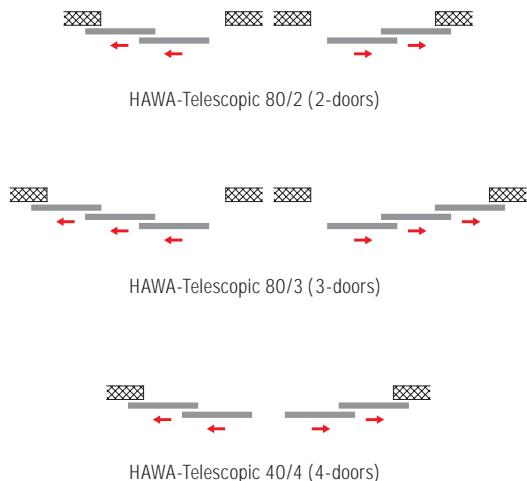
About the product

The HAWA-Telescopic 80/2–80/3–40/4 is the answer to a number of questions concerning space in connection with sliding wood doors. This sophisticated system allows you to slide two or three doors weighing up to 80 kg (176 lbs.) simultaneously to the left or right if there is not enough space for a single wide door. One hand is all it takes to slide the doors to one side.

You only need to slide one door to make the others move at differing speeds until they are all open and arranged in front of one another. The doors are connected on rollers by a toothed belt and a fastening for the toothed belt. The model HAWA-Telescopic 40/4 will even enable 4 sliding doors weighing 40 kg (88 lbs.) each to be coupled together.

At a glance

- Enables telescopic opening of two or three sliding doors, or symmetrical opening of four sliding doors.
- Extremely space-saving as sliding doors only need half the space when open.
- High-quality trolleys enable easy sliding even with just one hand.
- Robust, maintenance-free design with fibreglass-reinforced toothed belt.
- Even large installations (up to 4 m (13'1 ¹/₂") are possible without a bottom guide track.
- As an additional set for the HAWA-Junior 80/Z it helps to simplify storage and logistics.



The sliding hardware system for two symmetrically opening wood doors

HAWA-Symmetric 80/Z



Elegant duo: HAWA-Symmetric 80/Z.



Set for HAWA-Symmetric 80/Z (2-door)

Technical specifications

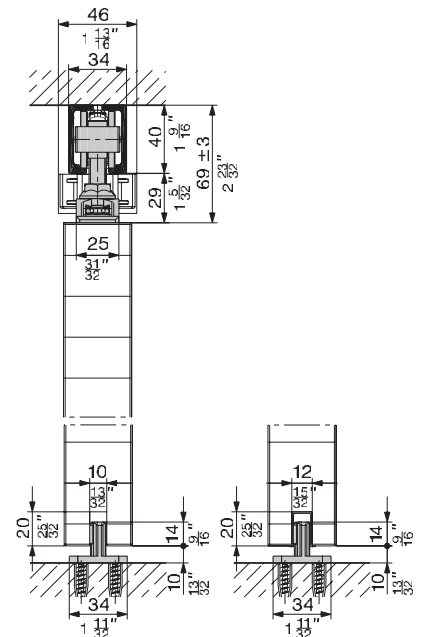
| | |
|-------------------|--|
| Max. door weight | 80 kg (176 lbs.) |
| Door width | 500 – 1200 mm (1'7 ¹¹ / ₁₆ " – 3'11 ¹ / ₄ ") |
| Height adjustable | ± 3 mm (¹ / ₈ ") |

About the product

Moving two wood doors with just one hand: a child's play with the HAWA-Symmetric 80/Z. This clever supplement to the hardware classic HAWA-Junior 80/Z connects two sliding doors by a toothed belt running over deflection rollers to enable symmetrical opening and closing. Hawa's superior trolley technology makes sure the system runs absolutely smoothly and quietly, whilst the durable design with fibreglass-reinforced toothed belt guarantees a long life with no maintenance whatsoever. When it comes to installation you will find the patented two-way suspension unit used at the top of the HAWA-Junior 80/Z most accommodating, as it makes mounting and demounting doors extremely easy and convenient. And nothing down below will get in the way of your plans: the HAWA-Symmetric works across its entire width without any visible floor guide.

At a glance

- Enables two sliding doors to be opened and closed symmetrically.
- High-quality trolleys enable easy sliding even with just one hand.
- Robust, maintenance-free design with fibreglass-reinforced toothed belt.
- Doors are installed and the toothed belt assembled from one side.
- As an additional set for the HAWA-Junior 80/Z it helps to simplify storage and logistics.



The system for setting in concrete lets top tracks disappear into the ceiling

HAWA-Adapto 80 – 120



Visible aesthetics, invisible technology: HAWA-Adapto 80–120.



HAWA-Adapto assembly: nail plastic clips to shuttering, clip on profile, pour concrete – job done.

Technical specifications

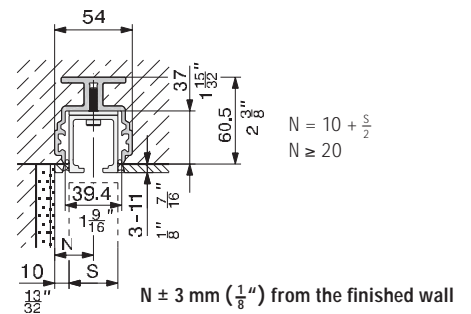
Max. door weight 80 – 120 kg
(176 - 264 lbs.)

About the product

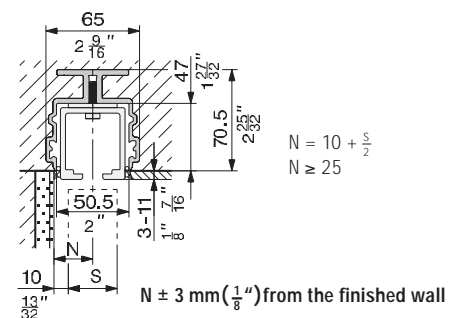
Purism is trendy, and the new HAWA-Adapto 80–120 profiles for HAWA-Junior 80 and 120 top tracks goes straight to the designer heart of today's zeitgeist. Embedded in the concrete ceiling, this profile elegantly solves the transition from top track to ceiling plaster. The effect of trolley technology integrated into the concrete ceiling is amazing: door elements in wood (and glass) weighing between 80 and 120 kg (176 and 264 lbs.) seem to float in the air. And assembling the hardware could not be more simple or cost-effective: HAWA-Adapto 80–120 is mounted to the shuttering before the concrete ceiling is poured – there is no need for troublesome and risky drilling afterwards.

At a glance

- For sliding wood and glass doors and stationary glass in conjunction with HAWA-Junior 80 und 120.
- Flush installation in concreted ceilings.
- Profiles fit exactly and easily to the shuttering thanks to plastic clips.
- Front covers and polystyrene inserts prevent concrete from seeping in.
- Top tracks are screwed into profiles, thus excluding any risk of damage to wiring.
- Top tracks are easily levelled.

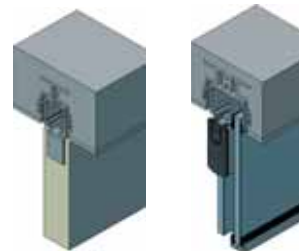


HAWA-Adapto 80



HAWA-Adapto 120

Sliding wood door



Also for sliding glass doors and stationary glass – see HAWA-Junior sliding glass systems.

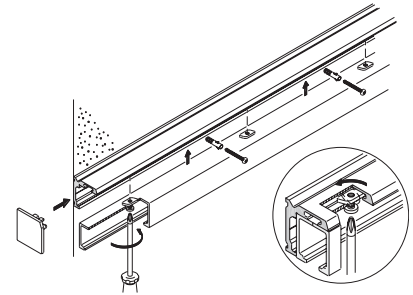
The intelligent wall mounting for HAWA-Junior top tracks

Angled profile

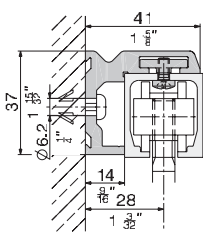
About the product

You no longer need intricate construction designs to fasten a sliding wood or glass door to a wall safely and quickly: HAWA's clever angle profile is installed in the blink of an eye. The top tracks are then simply fastened using groove nuts. It does not require any other kind of substructure.

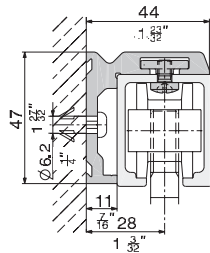
HAWA-Junior top tracks are anodised as standard and do not require covers. And levelling is simple due to the continuous profile. There are no additional drill holes in track or profile, keeping running surfaces smooth and clean. And the attractive cover plates give the solution an aesthetic and distinguished appeal.



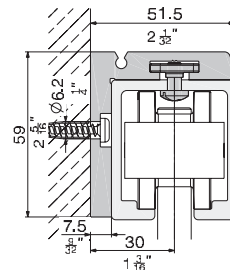
It couldn't be more installation-friendly:
Angle profile for wall mounting.



HAWA-Junior 40 wood



HAWA-Junior 80 wood



HAWA-Junior 120 wood

Technical specifications

Max. door weight 40 – 120 kg
(88 – 264 lbs.)
Max. door thickness 44 mm (1 3/4")



At a glance

- Practically invisible profile.
- No covers needed.
- Elegant front-side finish with clip-on cover plates.
- Quick assembly – top tracks are clamped using slot nuts.
- No additional drilling, no dirt or soiling.
- Very simple leveling due to continuous profile.
- For sliding wood doors HAWA-Junior 40–80–120/B.
- Also for sliding glass doors up to 120 kg (264 lbs.) with separate profiles.

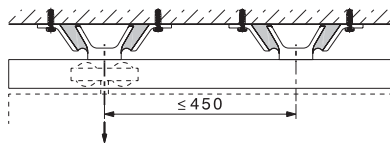


The noise protection bracket for preventing structure-borne noise

HAWA-SoundEx

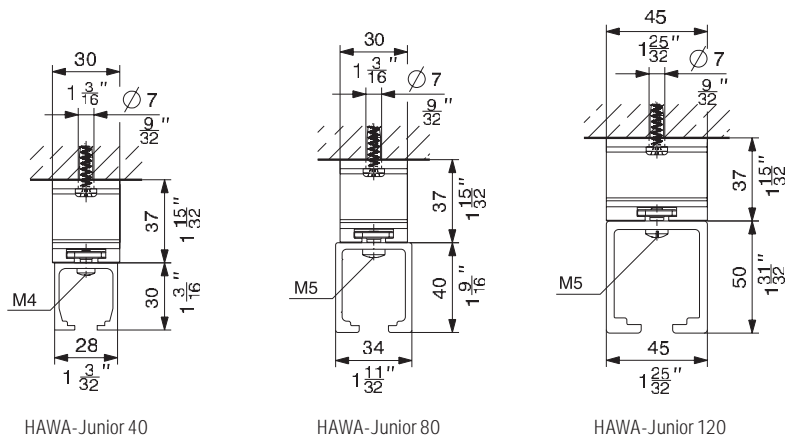


HAWA-SoundEx:
Brings the sound of silence to your hardware.



About the product

We like to shout it out loud: HAWA-Junior hardware systems with their high-quality trolleys are probably the quietest sliding systems of them all. However, in some buildings even they can sometimes transfer vibrations to the structure. HAWA-SoundEx will soon put an end to that. HAWA's sound absorbing brackets are fitted quickly and easily to the ceiling. The top tracks are then fitted to the bracket using slot nuts pushed through the original drill holes. The result is peace and quiet in the surrounding rooms.



Technical specifications

Max. door weight 40 – 120 kg
(88 - 264 lbs.)

At a glance

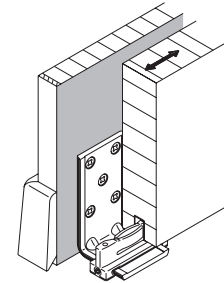
- Prevents the transfer of oscillations and vibrations to the structure.
- Quick and easy assembly – top tracks are fitted to the sound absorbing bracket using slot nuts.
- Assembly with large tolerance in direction of travel.
- For all HAWA-Junior wood and glass sliding systems up to 120 kg (264 lbs.).

HAWA-Confort 120 – 160

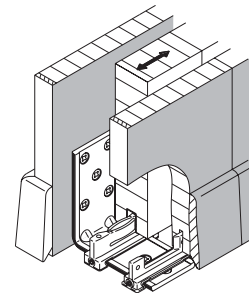
About the product

Can you not rely on the stability of your floor surfaces? Or does underfloor heating pose a problem? Then HAWA-Confort is the convenient solution for you. This clever addition to the HAWA-Junior range guarantees to keep everything as straight as a die with sliding doors weighing up to 160 kg (352 lbs.).

The technical trick is really quite simple: HAWA-Confort 120–160 enables you to fit a floor guide directly to the wall. And it leaves you room to manoeuvre as the guiding and fastening brackets (in case you have a covering wall) are adjustable sideways. Whether installation or assembly: you will soon see that the HAWA-Confort keeps the promise made by its name.



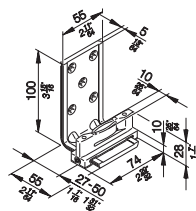
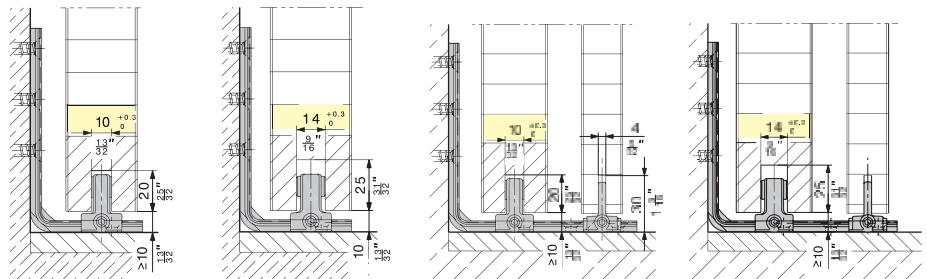
Running parallel to a wall.



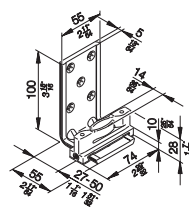
Running in a pocket.

At a glance

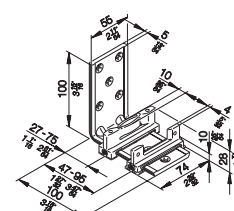
- Enables a floor guide to be installed directly to the wall.
- Ideal for floor surfaces with inadequate fastening options.
- Guiding and fastening parts are adjustable sideways.
- Robust design, high-quality processing.



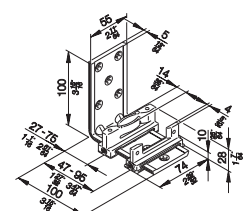
HAWA-Confort 120,
1-component



HAWA-Confort 160,
1-component



HAWA-Confort 120,
2-component



HAWA-Confort 160,
2-component

Technical specifications

Groove width

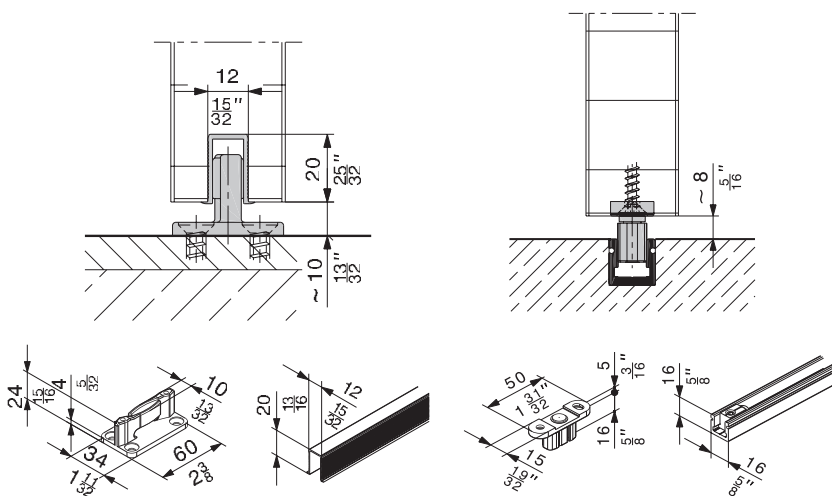
HAWA-Confort 120 10 mm ($\frac{13}{32}$ ")

HAWA-Confort 160 14 mm ($\frac{9}{16}$ ")

Individual parts

Rattle-proof bottom guide

Is it important to you to prevent your doors from rattling due to operation or draught? If so, the answer is a patented innovation made by Hawa: a punctiform rattle-proof guide for safe and silent travel.

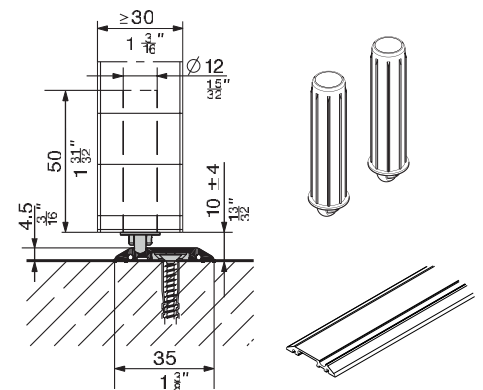


Recommended for punctiform guided sliding doors with a width of up to 1200 mm (3'11 1/4").

Stability and flexibility for wide sliding doors.

Surface mounted single bottom guide

Do you want to give doors a stable guide without too much expense? No problem with the Hawa floor guide. With a height of only 4.5 mm (3/16") it is simply clipped or glued on to guarantee stability from end to end.



Protective profile for edges

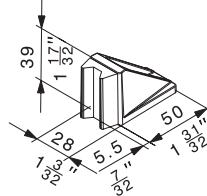
This rubber profile attaches to edges in the blink of an eye. It protects against draughts, cushions impact noise and prevents damage to edges caused when sliding doors collide.



The protective profile for edges is available in black RAL 7021, brown RAL 8024, beige RAL 1001 and crème white RAL 9001.

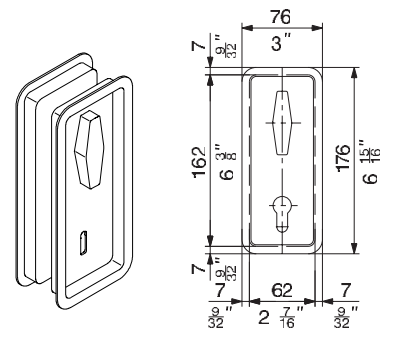
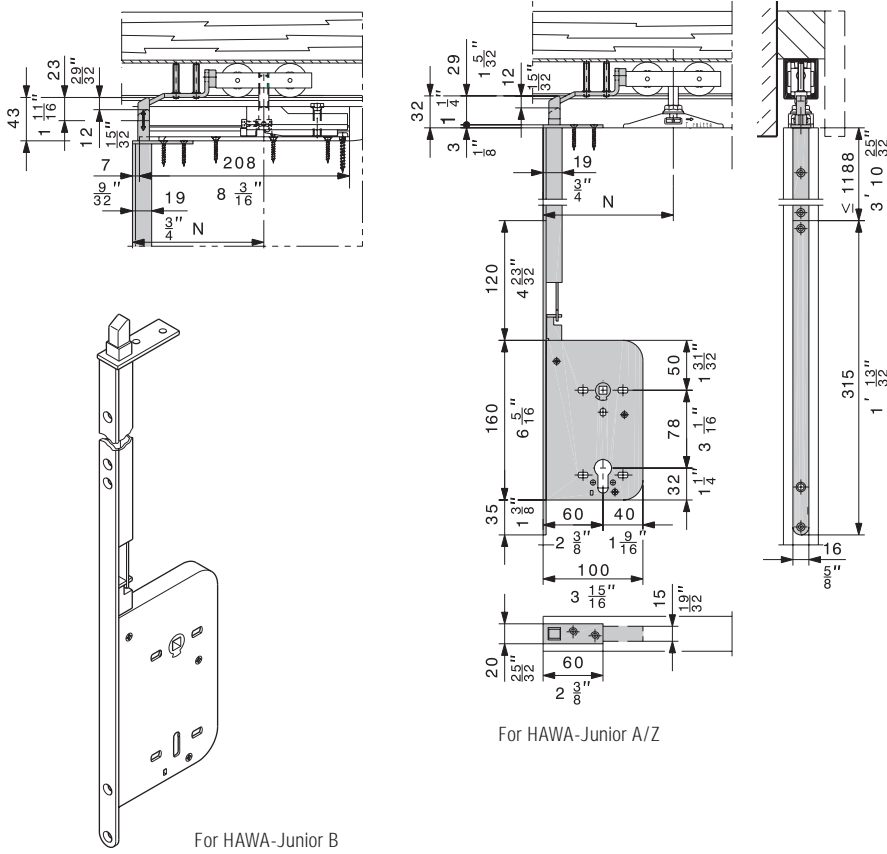
Floor door stopper

Because sliding doors should be stopped at the top and the bottom:
Hawa's matt chromed floor door stoppers stop doors in wood or glass
of up to 160 kg (352 lbs.) quietly and gently.

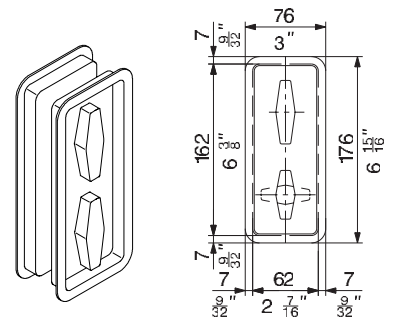


HAWA-Silent-Stop

This rod lock puts a definitive end to insecurity. HAWA-Silent-Stop brings every HAWA-Junior hardware system to a halt by anchoring the door in special locking plates located directly in the top tracks. Compatible recessed door handle sets are available in different designs.



Recessed door handle set
Wood thicknesses 39–70 mm (1 17/32" - 2 3/4")



Recessed door handle set
Wood thicknesses 44–70 mm (1 3/4" - 2 3/4").

Available from specialist dealers

Further Information:

Hawa AG
CH- 8932 Mettmenstetten
Switzerland
Tel. + 41 44 767 91 91
Fax + 41 44 767 91 78
www.hawa.ch

